

P1-E is a structural system for recessed flush installation on plasterboard ceilings and walls that creates indirect lines of light through the use of linear and 90° joint accessories. It is available in static white, dim to warm or RGBW and is custom cuttable.



Fixture Dimensions - See page 2



TECHNICAL DATA

Wattage	19.2W per 3.28 ft (1 m)
Power Supply	Remote, not included. Consult Factory.
Construction	Body: Extruded Aluminum Cable Length: 1.64' (connected at rear)
CCT	2200K, 2700K, 3000K, 4000K, DimWarm, RGB+W (3000K)
Delivered Lumens	1536 lm per beam per 3.28' (3000K) 1593 lm per 3.28' (DimWarm) 864 lm per 3.28' (RGBW)
Efficacy	80 lm/W per beam per 3.28" (3000K) 83 lm/W per 3.28" (DimWarm) 45 lm/W per 3.28" (RGBW)
Optics	Perpendicular Diffuse
Finishes	Natural Aluminum (extruded)
Fixture Dimensions	118.1" x 4.8" w x 1.5" h (P1-E) 196.9" x 0.4" (LED Circuit Reel)
Color Consistency	<3-Step MacAdam
IP Rating	IP40

ORDERING INFORMATION

Example: LM30.104659.US and LM30.103514.US.00.DP.BP.20. Accessories / Power Supplies ordered separately.

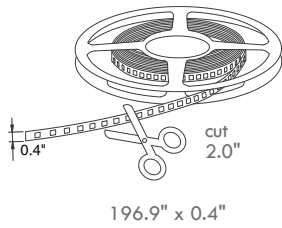
LM30.104659.00.US (Housing) LM30.103514.US (Reel)	AS	DP		20
Model No. LM30.104659.00.US (P1-E) LM30.103514.US (Circuit Reel) NOTE: Need to order both Profile Housing (P1-E) and Circuit Reel	Finish AS - Asymmetric	Optic DP - Perpendicular Diffuse	CCT XC - 2200K BC - 2700K BP - 3000K BF - 4000K DW - 2800K-6000K RGBW - RGB+W (3000K)	Circuit Power 20 - 19.2W/3.28 ft

Job Name/Date:

Fixture Type Designation:

FIXTURE DIMENSIONS - P1-E

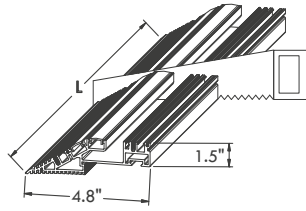
Custom Cuttable



196.9" x 0.4"

LM30.103514.US.US

Circuit Reel



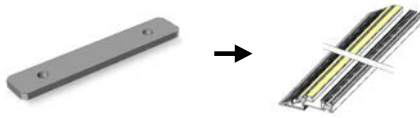
118.1" x 4.8" x H1.5"



LM30.104659.00.US

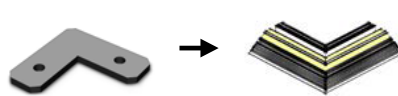
Housing for Custom Cuttable

ACCESSORIES - Installation



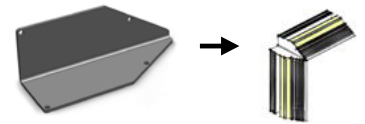
LM30.104662

Linear Joint
 2.36" x 0.43"



LM30.104663

90° Joint
 1.18" x 1.18" x 0.43"



LM30.104664

90° Vertical / Horizontal Joint
 4.53" x 1.50" x 1.50"

Installation



Job Name/Date:

Fixture Type Designation:

SUGGESTED POWER SUPPLIES

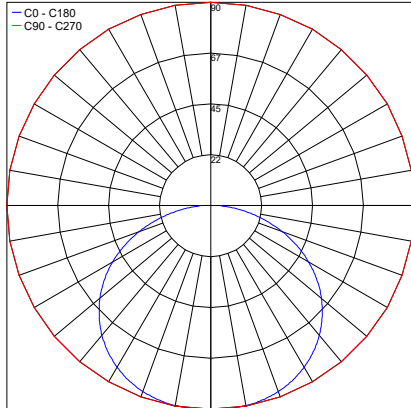
Consult Factory

For DIM WARM or RGBW power supplies, contact factory.

PHOTOMETRIC DATA

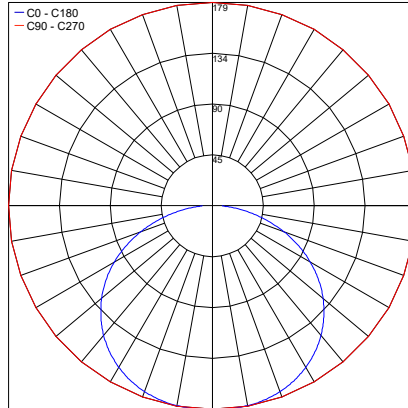
Note: All photometric data is 3000K

Maximum Candela = 89.5



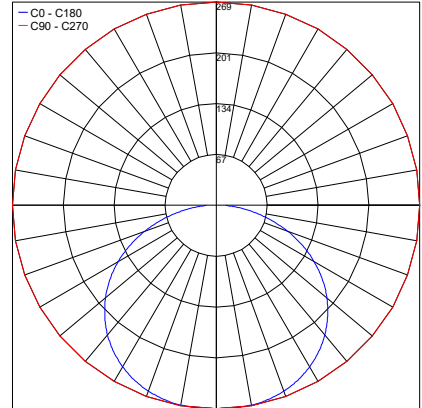
PHOTOMETRIC FILENAME : P1-E LM30.104659.00.DP.BP.20 L19.7IN.IES

Maximum Candela = 179.1



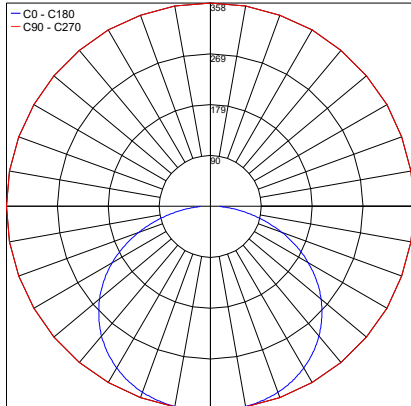
PHOTOMETRIC FILENAME : P1-E LM30.104659.00.DP.BP.20 L39.4IN.IES

Maximum Candela = 268.6



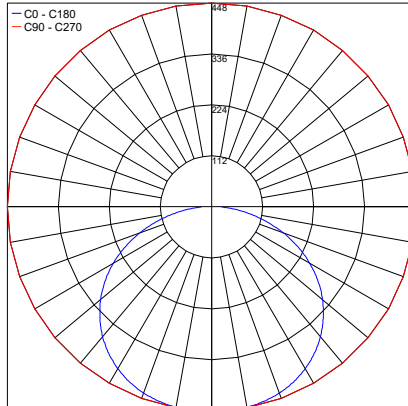
PHOTOMETRIC FILENAME : P1-E LM30.104659.00.DP.BP.20 L59.1IN.IES

Maximum Candela = 358.2



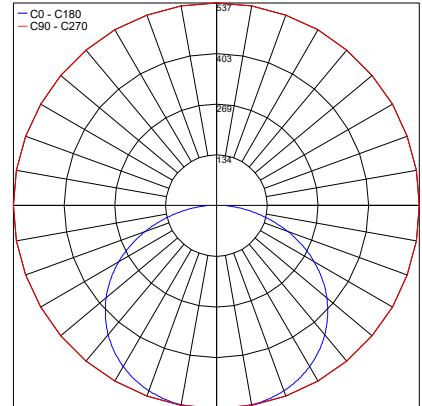
PHOTOMETRIC FILENAME : P1-E LM30.104659.00.DP.BP.20 L78.7IN.IES

Maximum Candela = 447.7



PHOTOMETRIC FILENAME : P1-E LM30.104659.00.DP.BP.20 L98.4IN.IES

Maximum Candela = 537.2



PHOTOMETRIC FILENAME : P1-E LM30.104659.00.DP.BP.20 L118.1IN.IES

Job Name/Date:

Fixture Type Designation: