

# PASITO 1.0

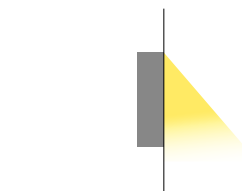
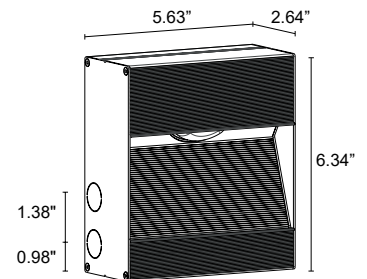
The Pasito 1.0 is a small yet powerful recessed steplight suitable for indoor/ outdoor applications. Pasito 1.0 is the recessed, flush to the wall version and is available in 80 or >90 CRI and 2 optic options.



## TECHNICAL DATA

<b>Wattage / Input</b>	8.5W (24VDC)
<b>Power Supply</b>	Remote, not included. See page 2.
<b>Construction</b>	Body: Aluminium Alloy EN AW 6060 Cable Length: 0.98'
<b>CCT</b>	2700K, 3000K, 4000K
<b>CRI</b>	80, >90
<b>Delivered Lumens</b>	390 lm (3000K, 150°x90°, CRI 80)
<b>Efficacy</b>	45.8 lm/W (3000K, 150°x90°, CRI 80)
<b>Optics</b>	2 Standard (see below)
<b>Finishes</b>	4 Standard, Custom RAL (see below)
<b>Cut-Out Dimensions</b>	5.63" l x 6.34" h
<b>Fixture Dimensions</b>	5.63" l x 2.64" w x 6.34" h
<b>Fixture Weight</b>	1.08 lbs
<b>LED Source</b>	1 High Intensity Power LED
<b>Lumen Maintenance</b>	L90, B10 >50,000hrs (Ta 25°C)
<b>Color Consistency</b>	3-Step MacAdam
<b>Operating Temp.</b>	-4°F to +113°F
<b>IP Rating</b>	IP65
<b>Impact Rating</b>	IK07

Wall Cut-Out: 5.63" l x 6.34" h  
Fixture Dimensions



Recessed, Flush

## ORDERING INFORMATION

Example: PA10001FBH. Accessories / Power Supplies ordered separately.

PA100	0				
Model No.	Wattage	CRI	CCT	Optics	Finish
PA100	0 - 8.5W	0 - CRI 80 1 - CRI 90	F - 2700K 5 - 3000K 9 - 4000K	A - Asymmetric 150° x 90° B - 60°	E - White F - Gray H - Anthracite T - Corten C - Custom RAL (consult factory for "C")

Job Name/Date:

Fixture Type Designation:

## SUGGESTED POWER SUPPLIES

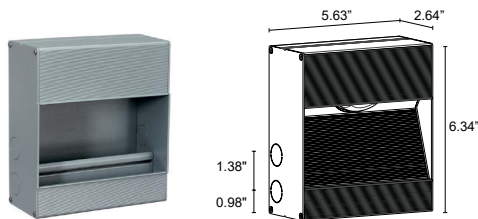
24VDC

Part Number	Description	Input/Output	# of Fixtures
<a href="#">PPLT00632</a>	0-10V Dimming (Dim to Off)	120-277VAC to 24VDC, 12W, Class 2	1-1
<a href="#">PPLT00056</a>	Non-Dim	120-277VAC to 24VDC, 26W, Class 2, IP66	1-2
<a href="#">PPLT00627</a>	ELV / TRIAC & 0-10V Dimming (100 to 0%)	120-277VAC to 24VDC, 96W, Class 2, IP67	1-9
<a href="#">PPLT00284</a>	Non-Dim	120-277VAC to 24VDC, 100W, Class 2	1-9
<a href="#">PPLT00543</a>	0-10V Dimming to 15% (-40°C / -40°F cold weather start)	120-277VAC to 24VDC, 100W, Class 2	2-9

For other power supply options consult factory.

## ACCESSORIES

### Installation



#### WC1410\_

Outer Casing

Include one of the below finishes:

- E - White
- F - Gray
- H - Anthracite
- T - Corten
- C - Custom RAL

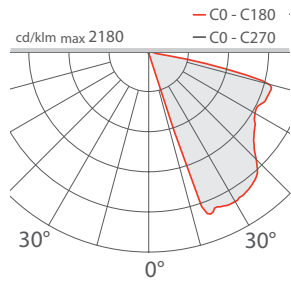
Job Name/Date:

Fixture Type Designation:

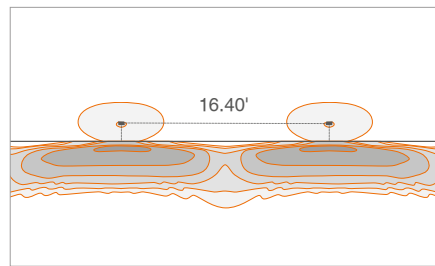
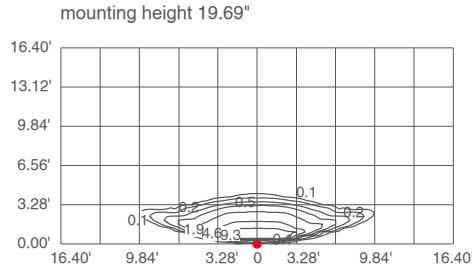
## PHOTOMETRIC DATA

Note all Photometry is CRI 80, 3000K

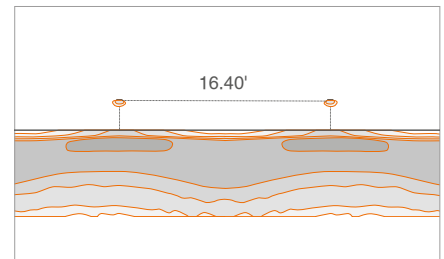
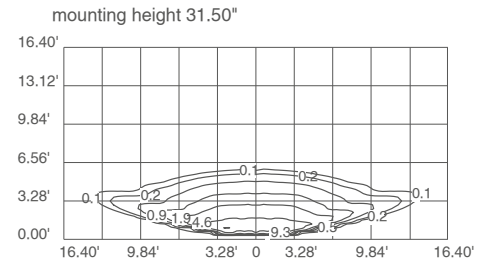
**A - Asymmetrical 150°x90°**



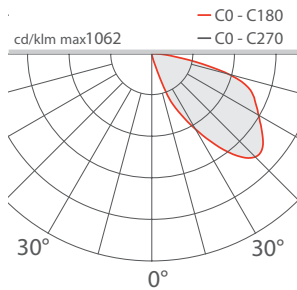
**A - Asymmetrical 150°x90°**



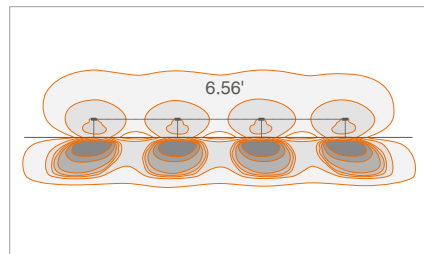
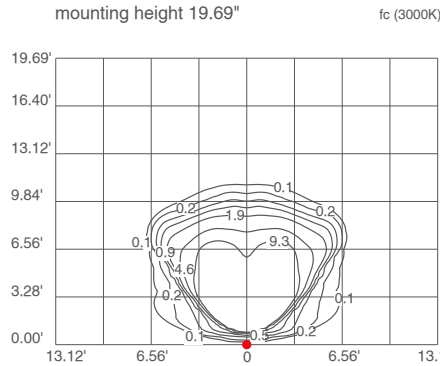
**A - Asymmetrical 150°x90°**



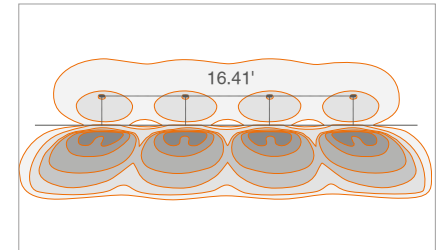
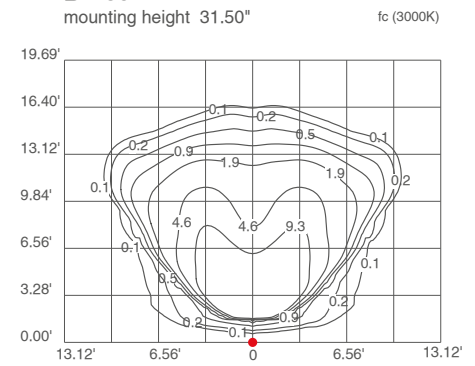
**B - 60°**



**B - 60°**



**B - 60°**



Job Name/Date:

Fixture Type Designation: