

PASITO 1.0

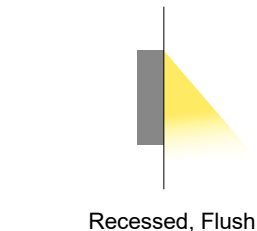
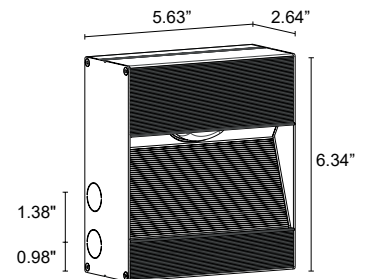
The Pasito 1.0 is a small yet powerful recessed steplight suitable for indoor/ outdoor applications. Pasito 1.0 is the recessed, flush to the wall version and is available in 80 or >90 CRI and 2 optic options.



TECHNICAL DATA

Wattage / Input	8.5W (24VDC)
Power Supply	Remote, not included. See page 2.
Construction	Body: Aluminium Alloy EN AW 6060 Cable Length: 0.98'
CCT	2700K, 3000K, 4000K
CRI	80, >90
BUG Rating	B0-U1-G0 (3000K, 60°, Anthracite, Corten) B0-U1-G1 (3000K, Asymm, Anthracite, Corten) B0-U2-G1 (3000K, White, Gray)
Delivered Lumens	390 lm (3000K, 150°x90°, CRI 80)
Efficacy	45.8 lm/W (3000K, 150°x90°, CRI 80)
Optics	2 Standard (see below)
Finishes	4 Standard, Custom RAL (see below)
Cut-Out Dimensions	5.63" l x 6.34" h
Fixture Dimensions	5.63" l x 2.64" w x 6.34" h
Fixture Weight	1.08 lbs
LED Source	1 High Intensity Power LED
Lumen Maintenance	L90, B10 >50,000hrs (Ta 25°C)
Color Consistency	3-Step MacAdam
Operating Temp.	-4°F to +113°F
IP Rating	IP65
Impact Rating	IK07

Wall Cut-Out: 5.63" l x 6.34" h
Fixture Dimensions



ORDERING INFORMATION

Example: PA10001FBH. Accessories / Power Supplies ordered separately.

PA100	0				
Model No.	Wattage	CRI	CCT	Optics	Finish
PA100	0 - 8.5W	0 - CRI 80 1 - CRI 90	F - 2700K 5 - 3000K 9 - 4000K	A - Asymmetric 150° x 90° B - 60°	E - White F - Gray H - Anthracite T - Corten C - Custom RAL (consult factory for "C")

Job Name/Date:

Fixture Type Designation:

SUGGESTED POWER SUPPLIES

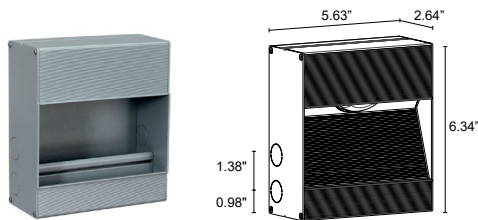
24VDC

Part Number	Description	Input/Output	# of Fixtures
PPLT00632	0-10V Dimming (Dim to Off)	120-277VAC to 24VDC, 12W, Class 2	1-1
PPLT00056	Non-Dim	120-277VAC to 24VDC, 26W, Class 2, IP66	1-2
PPLT00284	Non-Dim	120-277VAC to 24VDC, 100W, Class 2	1-9
PPLT00543	0-10V Dimming to 15% (-40°C / -40°F cold weather start)	120-277VAC to 24VDC, 100W, Class 2	2-9

For other power supply options consult factory.

ACCESSORIES

Installation



WC1410_

Outer Casing

Include one of the below finishes:

- E - White
- F - Gray
- H - Anthracite
- T - Corten
- C - Custom RAL

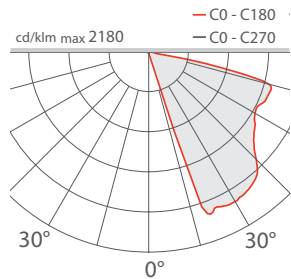
Job Name/Date:

Fixture Type Designation:

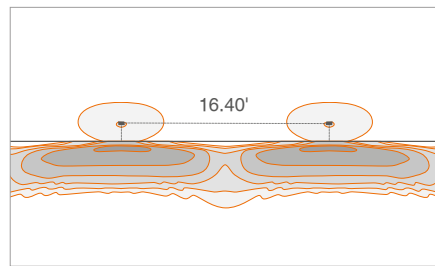
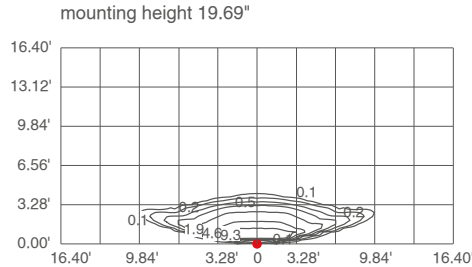
PHOTOMETRIC DATA

Note all Photometry is CRI 80, 3000K

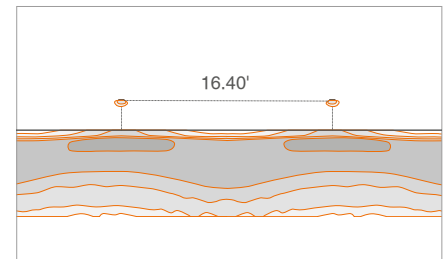
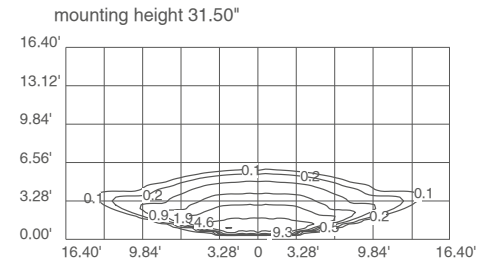
A - Asymmetrical 150°x90°



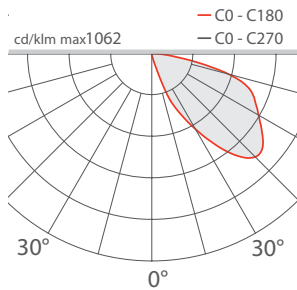
A - Asymmetrical 150°x90°



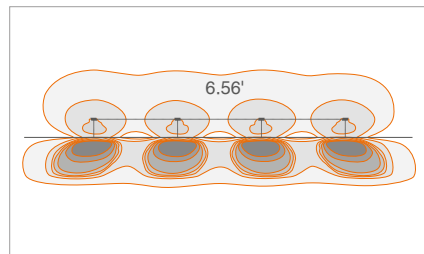
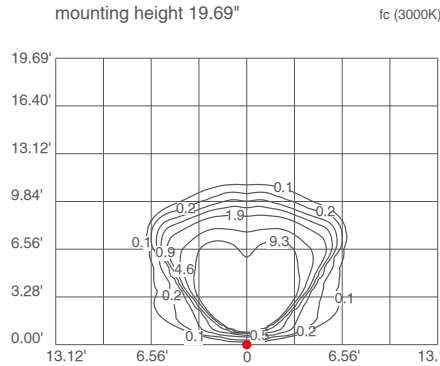
A - Asymmetrical 150°x90°



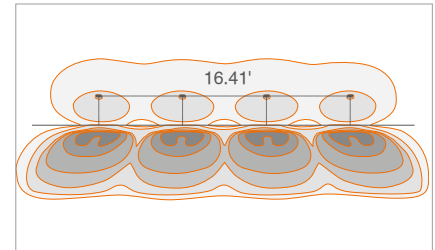
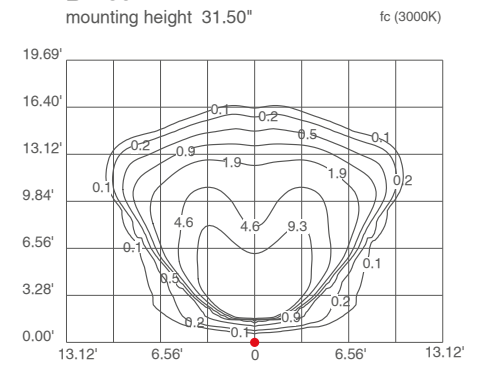
B - 60°



B - 60°



B - 60°



Job Name/Date:

Fixture Type Designation: