

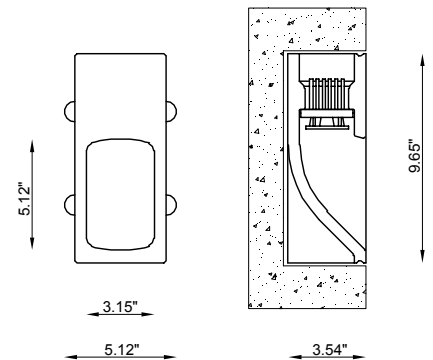
The Passé IP65 is a recessed wet label wall or ceiling mounted fixture made of DurCoral® which is perfect for path or wall lighting. It is unfinished for painting and available in white light with 70° wide beam optic.



TECHNICAL DATA

Wattage / Input	5W (500mA)
Power Supply	Remote, not included. See page 2.
Construction	Body: DurCoral®
CCT	3000K (2700K, 4000K on request)
CRI	>90
Delivered Lumens	585 lm (3000K)
Efficacy	117 lm/W (3000K)
Optics	70°
Finishes	DurCoral® - Unfinished
Cut-Out Dimensions	5.51" x 10.24"
Fixture Dimensions	5.12" w x 9.65" h
Aperture	3.15" x 5.12"
Fixture Weight	5.51 lbs
LED Source	COB professional LED
IP Rating	IP65

Wall / Ceiling Cut-Out: 5.51" x 10.24"
 Fixture Dimensions: (Including Aperture)



The body is made of DurCoral®, a high-performance “hi-tech” material born from the union of Coral® and cement. It is an aggregate twice as hard as concrete, which allows very high performances in terms of quality, flow and resistance and that, above all, differs from other outdoor materials, for the possibility of being treated with any type of paint and finish. Distinguished by the ability to resist abrasion, insensitive to ultraviolet rays, pollution and atmospheric agents is certainly the ideal material to be placed outdoors.

ORDERING INFORMATION

Example: BU1508.30.DC.US. Power Supplies ordered separately.

BU1508		DC	US
Model No.	CCT	Finish	
BU1508	27 - 2700K 30 - 3000K 40 - 4000K	DC - DurCoral®	US

Job Name/Date:

Fixture Type Designation:

POWER SUPPLIES

500mA

Part Number	Description	Input/Output	# of Fixtures
PPLT00466-P	0-10V Dimming to 1.0%	120-277VAC to 500mA, 10W, Class 2	1-1
PPLT00465-P	0-10V Dimming to 1.0%	120-277VAC to 500mA, 20W, Class 2	1-3
PPLT00527	Phase Dim (120V only)	120VAC to 500mA, 25W, Class 2	2-3
PPLT00262	Leading / Trailing-Edge Dimming to 10% (120V only)	120-277VAC to 500mA, 32W, Class 2	3-3
PPLT00467-P	0-10V Dimming to 1.0%	120-277VAC to 500mA, 50W, Class 2	1-3
PPLT00538-P	0-10V Dimming to 0.1%	120-277VAC to 500mA, 100W, Class 2	1-16

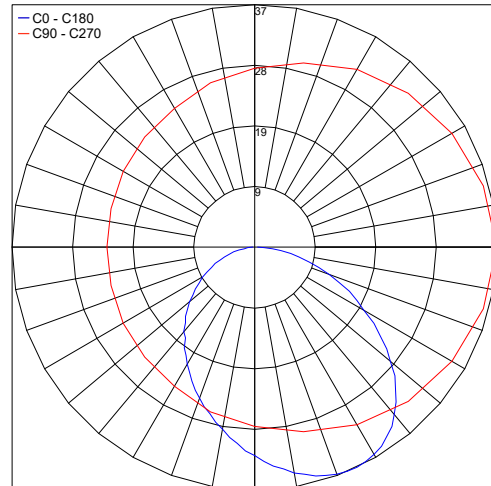
Suggested Lutron Compatible

Part Number	Option	Lutron SKU	Dim Range	Description	Input/Output	# of Fixtures
PPLT00249	LTEA2W	LTEA	100%-1%	Hi-Lume™ 1% 2-Wire LED Driver (120V forward phase only)	120VAC to 500mA, 10W, Class 2	1-1
PPLT00259	L3DAE / L3DA3W	L3DA	100%-1%	Hi-Lume™ 1% EcoSystem™ or 1% 3-Wire LED Driver	120-277VAC to 500mA, 10W, Class 2	1-1
PPLT00195	L3DAE / L3DA3W	L3DA	100%-1%	Hi-Lume™ 1% EcoSystem™ or 1% 3-Wire LED Driver	120VAC to 500mA, 19W, Class 2	2-2

For other power supply options consult factory.

PHOTOMETRIC DATA

Maximum Candela = 37



Job Name/Date:

Fixture Type Designation: