



INSTRUCTIONS PERTAINING TO RISK OF FIRE OR INJURY TO PERSONS. READ ALL INSTRUCTIONS. IMPORTANT SAFETY INSTRUCTIONS. SAVE THESE INSTRUCTIONS.

DANGER - RISK OF SHOCK - DISCONNECT POWER BEFORE INSTALLATION! Please read all instructions before installation.

- Keep these instructions for future reference.
- Must be installed by a qualified electrician in accordance with national and local standards. Designplan is not responsible for fixtures installed without regard to these standards.
- Unauthorized alterations or tampering of product voids warranty.
- The main power connection must be in accordance with local electrical codes.
- Suitable for OUTDOOR applications.



ATTENTION: For Surface: It is the contractor's responsibility to caulk around all the edges between the fixture and the mounting surface to satisfy wet label requirements. Contractor **MUST** use gel-filled wire nuts.

Maintenance

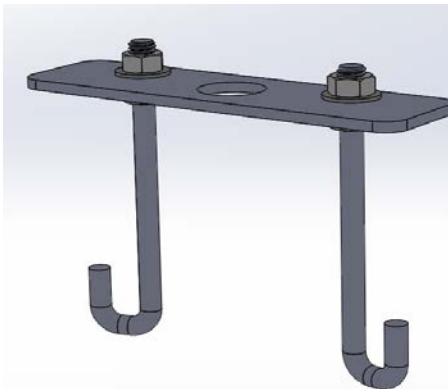
Scheduled maintenance must be carried out once a year on all lighting devices, regardless of appliance class and type of use. It must include the following operations:

- Periodically clean fixtures to remove dirt from gratings and screw heads.
- Check tightness of screws on various parts of the device.
- Check that all cable glands and cables are intact and tight. Check that the glass or plastic lens is intact, and replace it if broken or damaged.
- The internal components such as the ballast, driver, washers and screws must not show clear signs of oxidation or rust. Clear traces of rust and oxidation will indicate the presence of water inside the device.
- In the case of damage, the components must be replaced by original components or spare parts.

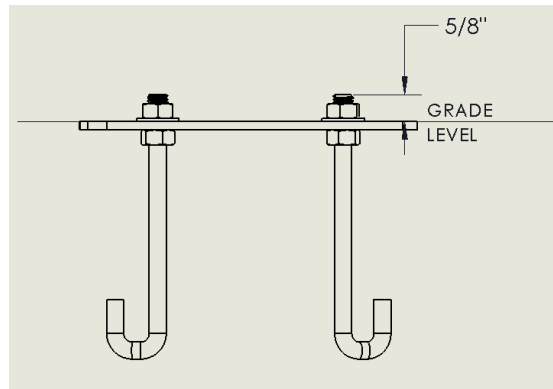
Accessory Installation (AM-00011)

(For Poured Concrete Installation)

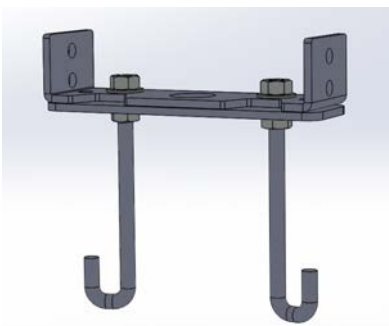
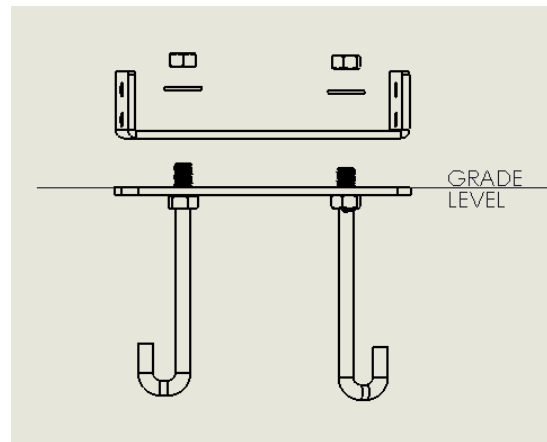
- Accessory comes fully assembled.
- Install accessory in concrete, ensuring that the (2) hex nuts, (2) washers, and the J-bolts are above grade level. The distance from the top of the J-bolts to the top of the Periscope plate should be approximately 5/8" as shown.
- Once concrete is cured, the (2) hex nuts and (2) washers are to be removed and the base plate of the Periscope fixture may be installed as shown.
- After assembling the fixture plate, the (2) hex nuts and (2) washers may be placed back onto the fixture plate and tightened.



(Shown before accessory is installed)

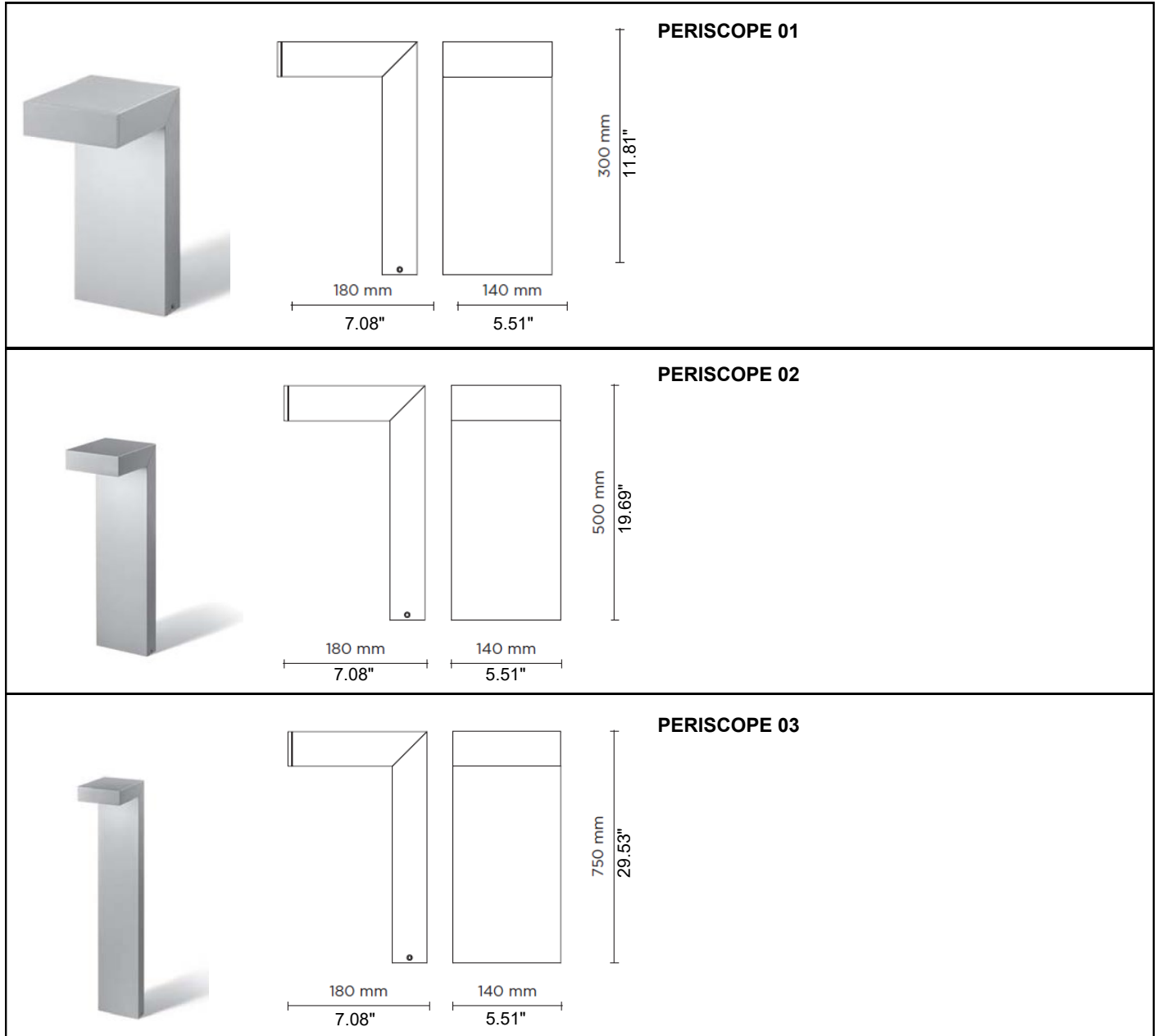


(Shown after accessory is set in concrete)



Note: It is contractor's responsibility to make proper arrangements for the power cord to be fed through the Periscope base plate.

PERISCOPE 1 / 2 / 3



1. Loose the three grub-screws in the base of the luminaire and remove the fixing plate. (pic.1)
2. Mount the top head of the luminaire tighten the two screws in the package. (pic 2)
3. Prepare holes in correspondence of the feeding point using fischer plugs. (pic. 3)
4. Fix the base to the floor by tightening the screws of the fischer plugs. (pic. 4-5)
5. Insert the cable through the base hole. (pic. 6)
6. Make the adequate electrical connection. (pic. 7)
7. Place the luminaire by tightening the two grub-screws using the tool included in the package. (pic. 8)

