

Phantom is a recessed wall-washer LED luminaire made of Coral® that becomes an integral part of the wall or ceiling. It is available in 3000K as standard with a 14° optic.



TECHNICAL DATA

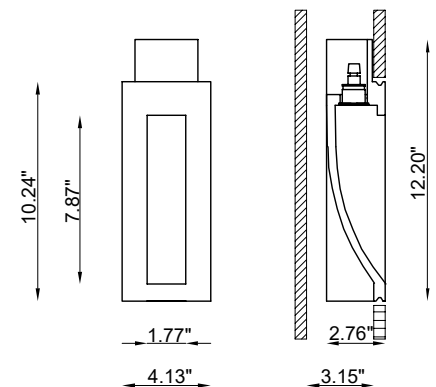
Wattage / Input	2W (500mA)
Power Supply	Remote, not included. See page 2.
Construction	Body: Coral®
CCT	3000K (2700K on request)
CRI	>90
Delivered Lumens	150 lm (3000K)
Efficacy	75 lm/W
Optics	14°
Finishes	Coral®
LED Source	COB professional LED
Fixture Dimensions	4.13" w x 10.24" l x 2.76" h
Cut-out Dimension	4.53" x 10.63"
Aperature	1.77" x 7.87"
Fixture Weight	3.09 lbs
IP Rating	IP40
JA8	Exempt

The body is made of Coral® a unique patented composite material made from natural minerals and aggregating elements.

Additionally, Coral® is:

- Extreme resistance to high temperatures and thermal shock.
- Highly impervious to knocks and scratches.
- Can easily be decorated with any type of paint (water or spirit based).
- Made of non-toxic materials and is non-allergic.
- Does not produce fumes, even in case of fire.
- Naturally dust repellent.

Fixture Dimensions



ORDERING INFORMATION

Example: BU6488.30.00.US. Power Supplies ordered separately.

BU6488		00	US
Model No.	CCT	Finish	
BU6488	30 - 3000K (standard) 27 - 2700K (on request) 40 - 4000K (on request)	00 - Coral®	US

Job Name/Date:

Fixture Type Designation:

SUGGESTED POWER SUPPLIES

500mA

Part Number	Description	Input/Output	# of Fixtures
PPLT00466-P	0-10V Dimming to 1.0%	120-277VAC to 500mA, 10W, Class 2	1-5
PPLT00469	Phase Dim (120V only)	120VAC to 500mA, 14W, Class 2	4-7
PPLT00467-P	0-10V Dimming to 1.0%	120-277VAC to 500mA, 50W, Class 2	1-16
PPLT00538-P	0-10V Dimming to 0.1%	120-277VAC to 500mA, 100W, Class 2	1-48

Suggested Lutron Compatible

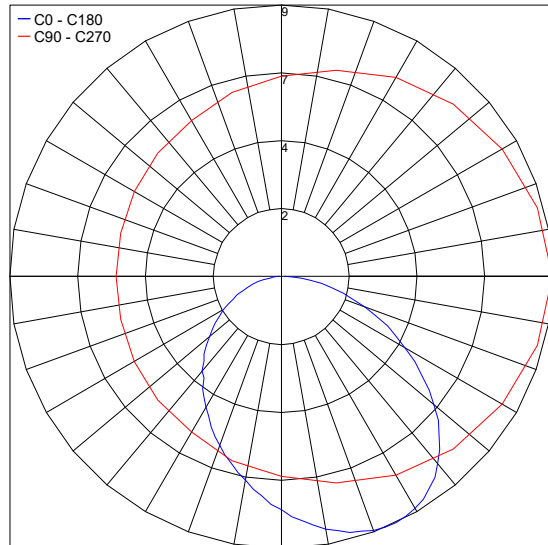
Part Number	Option	Lutron SKU	Dim Range	Description	Input/Output	# of Fixtures
PPLT00259	L3DAE / L3DA3W	L3DA	100%-1%	Hi-Lume™ 1% EcoSystem™ or 1% 3-Wire LED Driver	120-277VAC to 500mA, 10W, Class 2	4-5
PPLT00195	L3DAE / L3DA3W	L3DA	100%-1%	Hi-Lume™ 1% EcoSystem™ or 1% 3-Wire LED Driver	120-277VAC to 500mA, 19W, Class 2	6-9
PPLT00180	L3DAE / L3DA3W	L3DA	100%-1%	Hi-Lume™ 1% EcoSystem™ or 1% 3-Wire LED Driver	120-277VAC to 500mA, 27W, Class 2	12-13

For other power supply options consult factory.

PHOTOMETRIC DATA

Note all Photometry is 3000K

Maximum Candela = 8.9



Job Name/Date:

Fixture Type Designation: