

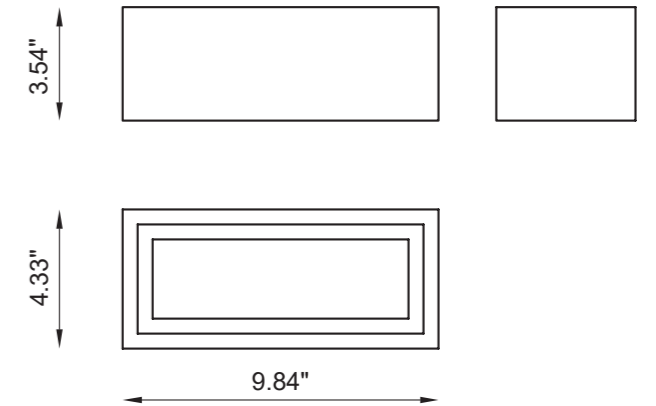
PIPEDINO



WALL LAMP, DIRECT,
INDIRECT OR BI-EMISSION LIGHT





Pipedino Open



OTHER AVAILABLE CODES

BU2926.27.AC	<i>lens</i>	120°
	<i>light color</i>	2700K
BU2926.40.AC	<i>lens</i>	120°
	<i>light color</i>	4000K (on request).

TECHNICAL FEATURES

Code	BU2926.AC
Type	Wall lamp
	
Material	AC: AirCoral®
Absorption capacity*	54.79 ft²
Mounting	Wall mounting
IP rating	IP20
Control gear	Dimmable constant current driver (included)
Lamp type	LED 500 mA
	
Lamp wattage	2 × 6.5W
Luminous efficacy	2 × 930 lm - 3000K
Light distribution	Wide beam 120°
Fitting	-
Light color	White 3000K
Voltage connection	50/60Hz
CRI	>90
Note	Trailing-edge and leading-edge dimming (20 - 100%).
	Satin glass included.
	Other available light colors: 2700K, 4000K (on request).

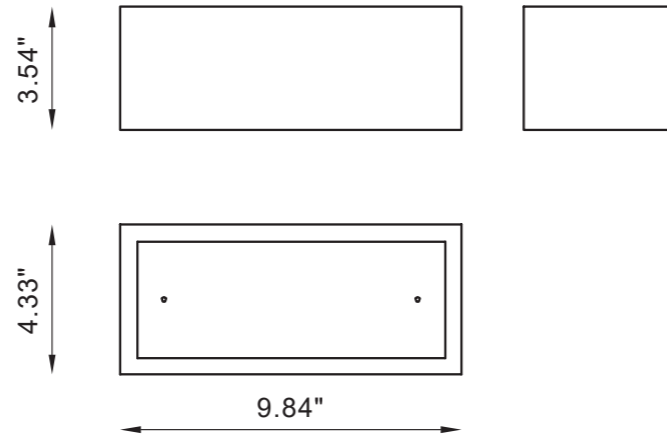
designplan® 

79 Trenton Avenue
Frenchtown, NJ 08825

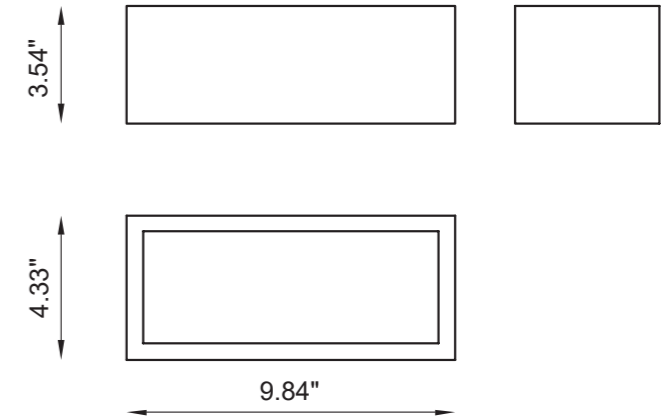
www.designplan.com

Tel: (908) 996-7710
Fax: (908) 996-7042

* The absorption capacity per ft² calculated by the American organization TCNA (Tile Council of North America) is measured for an average room of 8.86 ft in height and therefore expressed in ft²



Pipedino Direct





Pipedino Indirect



OTHER AVAILABLE CODES

BU2928.27.AC	<i>lens</i>	120°
	<i>light color</i>	2700K

TECHNICAL FEATURES

Code	BU2928.AC
Type	Wall lamp
	
Material	AC: AirCoral®
Absorption capacity*	58.88 ft²
Mounting	Wall mounting
IP rating	IP20
Control gear	Dimmable constant current driver (included)
Lamp type	LED 500 mA
	
Lamp wattage	1 × 6.5W
Luminous efficacy	1 × 930 lm - 3000K
Light distribution	Wide beam 120°
Fitting	-
Light color	White 3000K
Voltage connection	50/60Hz
CRI	>90
Note	Trailing-edge and leading-edge dimming (20 - 100%).
	Extra white frosted glass fixed with polycarbonate screws.
	Other available light colors: 2700K, 4000K (on request).

OTHER AVAILABLE CODES

BU2936.27.AC	<i>lens</i>	120°
	<i>light color</i>	2700K

TECHNICAL FEATURES

Code	BU2936.AC
Type	Wall lamp
	
Material	AC: AirCoral®
Absorption capacity*	58.88 ft²
Mounting	Wall mounting
IP rating	IP20
Control gear	Dimmable constant current driver (included)
Lamp type	LED 500 mA
	
Lamp wattage	1 × 6.5W
Luminous efficacy	1 × 930 lm - 3000K
Light distribution	Wide beam 120°
Fitting	-
Light color	White 3000K
Voltage connection	50/60Hz
CRI	>90
Note	Trailing-edge and leading-edge dimming (20 - 100%).
	Satin glass included.
	Other available light colors: 2700K, 4000K (on request).



79 Trenton Avenue
Frenchtown, NJ 08825

www.designplan.com

Tel: (908) 996-7710
Fax: (908) 996-7042

* The absorption capacity per ft² calculated by the American organization TCNA (Tile Council of North America) is measured for an average room of 8.86 ft in height and therefore expressed in ft²