

# PIVOT 2.0

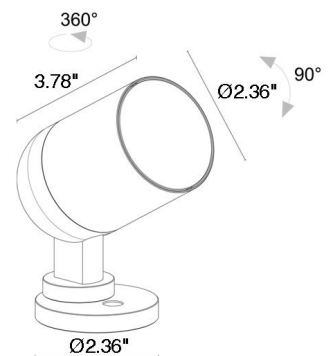
Pivot 2.0 is a compact outdoor projector that can be surface mounted on ceilings, walls or floors. It is available in 4 different optics and is adjustable 360° on the horizontal axis and +/- 90° on the vertical axis with a manual zoom lens adjustable using a magnet.



## TECHNICAL DATA

<b>Wattage / Input</b>	10W, 14W (24VDC)
<b>Power Supply</b>	Remote, not included. See page 2.
<b>Construction</b>	Body: Anti-corrosive Aluminum Alloy EN AW 6082 Lens: Tempered Extra-clear Glass Neoprene Cable: 4.9' standard
<b>CCT</b>	2700K, 3000K, 4000K (3500K available, consult factory)
<b>CRI</b>	80, >90
<b>Delivered Lumens</b>	1064 lm (3000K, 25°, 14W, CRI 80) 676 lm (3000K, 25°, 10W, CRI 90) 862 lm (3000K, 25°, 14W, CRI 90) 835 lm (3000K, 25°, 10W, CRI 80)
<b>Efficacy</b>	76 lm/W (14W, CRI 80), 67.6 lm/W (10W, CRI 90) 61.6 lm/W (14W, CRI 90), 83.5 lm/W (10W, CRI 80)
<b>Optics</b>	6 Standard (see below)
<b>Finishes</b>	4 Standard, Custom RAL (see below)
<b>Fixture Dimensions</b>	Ø2.36" x 3.78", Ø2.36" Base
<b>Fixture Weight</b>	1.41 lbs
<b>LED Source</b>	1 COB LED
<b>Lumen Maintenance</b>	L95, B10>50,000hrs (Ta 25°C)
<b>Color Consistency</b>	3-Step MacAdam
<b>Operating Temp.</b>	-4°F to +113°F
<b>IP Rating</b>	IP66
<b>Impact Rating</b>	IK08

Fixture Dimensions



**Magnet required with adjustable optic**  
(see part number - page 2)

## ORDERING INFORMATION

Example: CP2001000090MH or CP2001000090MH-3. Accessories / Power Supplies ordered separately.

CP200							
Model #	Wattage	CRI	Optical Access.	CCT	Optics	Finish	Cable Length
CP200	0 - 10W 1 - 14W	0 - CRI 80 1 - CRI 90	000 - none 001 - Honeycomb Louvre  <i>*honeycomb louvre not available with 50° sharp, 13°x68° optics and optical range 15°-43° optics</i>	F - 2700K 5 - 3000K 9 - 4000K	0S - 13° 0M - 25° 0L - 37° 0Q - 50° sharp 0W - 13°x68° adjustable R3 - 15°-43° range	E - White H - Anthracite T - Cor-ten U - Copper C - Custom RAL (consult factory for "C")	4.92' standard 1 - 16.40' 2 - 32.81' 3 - 49.21' 4 - 65.62'

Job Name/Date:

Fixture Type Designation:

## SUGGESTED POWER SUPPLIES

24VDC

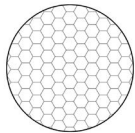
Part Number	Description	Input/Output	# of Fixtures	
			10W	14W
<a href="#">PPLT00481</a>	Non-Dim	120-277VAC to 24VDC, 24W, Class 2	1-1	1-1
<a href="#">PPLT00586</a>	Non-Dim	120-277VAC to 24VDC, 40W, Class 2	1-3	1-2
<a href="#">PPLT00709</a>	ELV / TRIAC & 0-10V Dimming	120-277VAC to 24VDC, 96W, Class 2, DAMP	1-7	1-5
<a href="#">PPLT00543</a>	0-10V Dimming to 15% (-40°C / -40°F cold weather start)	120-277VAC to 24VDC, 100W, Class 2	1-8	1-5

## Suggested Lutron Compatible

Part Number	Option	Lutron SKU	Dim Range	Description	Input/Output	# of Fixtures	
						10W	14W
<a href="#">PPLT00273</a>	L3DAE / L3DA3W	L3DA	100%-1%	Hi-Lume™ 1% EcoSystem™ or 1% 3-Wire LED Driver	120-277VAC to 24VDC, 40W, Class 2	1-3	1-2
<a href="#">PPLT00530</a>	L3DAE / L3D0	L3DA/L3D0	100%-1%	Hi-Lume™ 0.1% EcoSystem™ or 3-Wire LED Driver	120-277VAC to 24VDC, 96W, Class 2	1-7	1-5

For other power supply options consult factory.

## ACCESSORIES - Anti-Glare



**Honeycomb Louvre**  
built into the lighting fixture - see code matrix above

Can be fitted on all optics, except for 50° sharp, 13°x68° optics and optical range 15°—43°



**WB1001\_\_**  
Standard Snoot

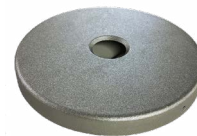
For Snoots include one of the below finishes:

- E** - White
- H** - Anthracite
- T** - Cor-ten
- U** - Copper
- C** - Custom RAL



**WB1002\_\_**  
Asymmetric Snoot

## Installation



**AC-00003\_\_**  
Mounting Canopy for "J" Box  
For Canopy include one of the below finishes:

- E** - White
- H** - Anthracite
- T** - Cor-ten
- U** - Copper
- C** - Custom RAL



## ACCESSORIES - Optical

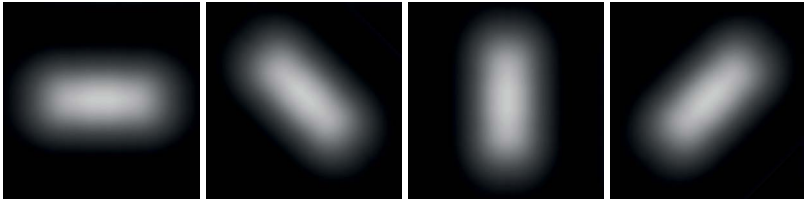


**WE0201**  
Magnet for adjustable optics

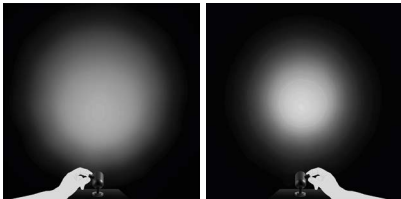
Job Name/Date:

Fixture Type Designation:

## OPTICS



13°x68° - adjustable using the magnet



Manual Zoom - adjustable using the magnet

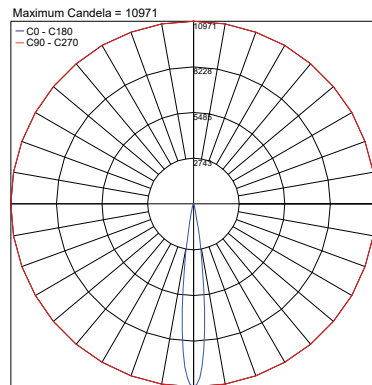


Fixed

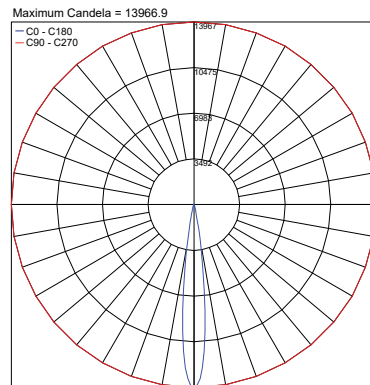
## PHOTOMETRIC DATA

Note all Photometry is 3000K

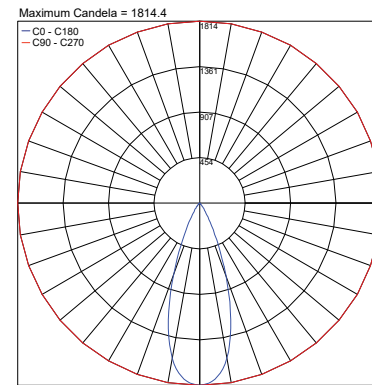
13° 10W



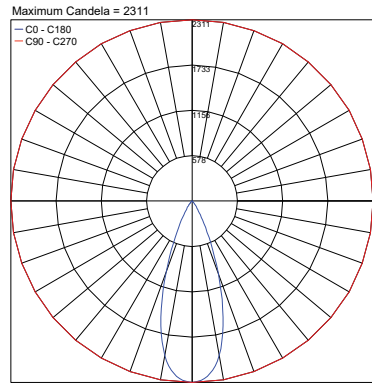
13° 14W



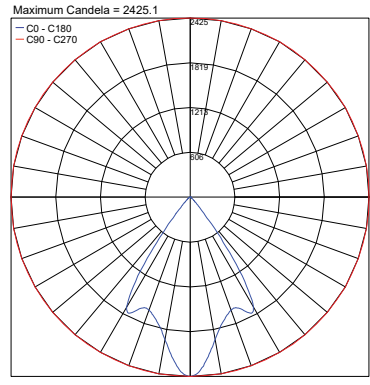
37° 10W



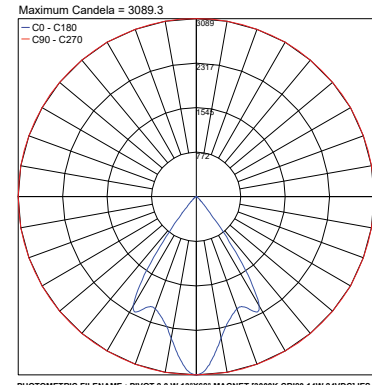
37° 14W



Adjustable 13°x68° 10W



Adjustable 13°x68° 14W



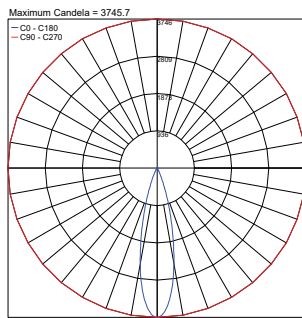
Job Name/Date:

Fixture Type Designation:

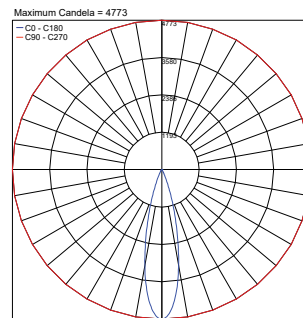
## PHOTOMETRIC DATA

Note all Photometry is 3000K, CRI 80

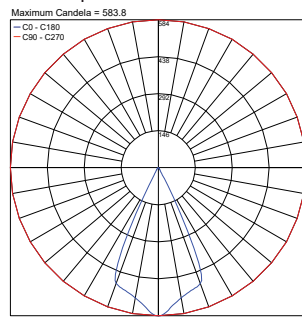
25° 10W



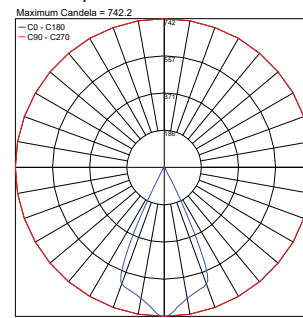
25° 14W



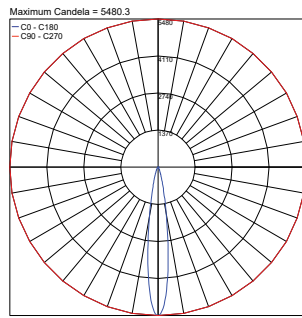
50° sharp 10W



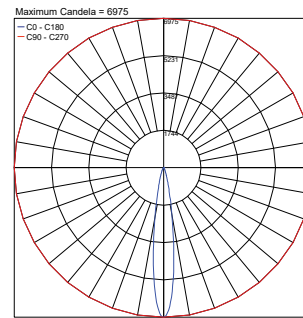
50° sharp 14W



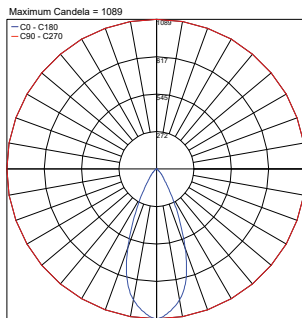
R3 zoom 15° 10W



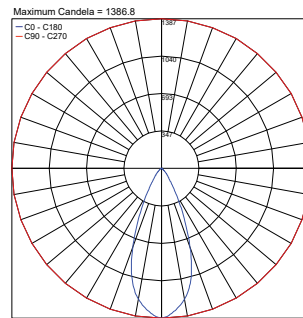
R3 zoom 15° 14W



R3 zoom 43° 10W



R3 zoom 43° 14W



Job Name/Date:

Fixture Type Designation: