

PIVOT MINI 1

Pivot Mini 1 is a small, compact outdoor projector that can be surface mounted. It is available in 4 different optics and is adjustable 360° on the horizontal axis and +/- 90° on the vertical axis.



TECHNICAL DATA

Wattage / Input	2.5W, 3.5W (24VDC)
Power Supply	Remote, not included. See page 2.
Construction	Body: Anti-corrosive Aluminum Alloy EN AW 6082 Lens: Tempered Extra-clear Glass Neoprene Cable: 4.9' standard
CCT	2700K, 3000K, 4000K (3500K available, consult factory)
CRI	>80, >90
BUG Rating	B0-U0-G0 (3000K)
Delivered Lumens	101 lm (3000K, 15°, 2.5W, CRI 90) 118 lm (3000K, 15°, 2.5W, CRI 80) 134 lm (3000K, 15°, 3.5W, CRI 90) 158 lm (3000K, 15°, 3.5W, CRI 80)
Efficacy	40.4 lm/W (2.5W, CRI 90), 47.2 lm/W (2.5W, CRI 80) 38.3 lm/W (3.5W, CRI 90), 45.1 lm/W (3.5W, CRI 80)
Optics	4 Standard (see below)
Finishes	4 Standard, Custom RAL (see below)
Fixture Dimensions	Ø0.98" x 1.93", Ø0.98" Base
Fixture Weight	0.30 lbs
LED Source	1 Power LED
Lumen Maintenance	L90, B10>50,000hrs (Ta 25°C)
Color Consistency	2-Step MacAdam
Operating Temp.	-4°F to +113°F
IP Rating	IP66
Impact Rating	IK07

Fixture Dimensions



ORDERING INFORMATION

Example: CP0101100150ME or CP0101100150ME-2. Accessories / Power Supplies ordered separately.

Model #	Wattage	CRI	Optical Accessory	CCT	Optics	Finish	Cable Length
CP010	0 - 2.5W 1 - 3.5W	0 - CRI 80 1 - CRI 90	000 - none 001 - Honeycomb Louvre <i>Note: Honeycomb Louvre not compatible with the 30° sharp optics</i>	F - 2700K 5 - 3000K 9 - 4000K	0S - 15° 0M - 21° 0P - 30° sharp* 0L - 35°* <i>*OP & OL not available with honeycomb louvre</i>	E - White H - Anthracite T - Cor-ten U - Copper C - Custom RAL <i>(consult factory for "C")</i>	4.92' standard 1 - 16.40' 2 - 32.81' 3 - 49.21' 4 - 65.62'

Job Name/Date:

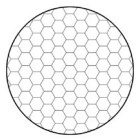
Fixture Type Designation:

SUGGESTED POWER SUPPLIES 24VDC

Part Number	Description	Input/Output	# of Fixtures	
			2.5W	3.5W
PPLT00149	Non-Dim	120VAC to 24VDC, 10W, Class 2, IP65	1-3	1-2
PPLT00481	Non-Dim	120-277VAC to 24VDC, 24W, Class 2	1-7	1-5
PPLT00709	ELV / TRIAC & 0-10V Dimming	120-277VAC to 24VDC, 96W, Class 2, DAMP	1-30	1-21
PPLT00543	0-10V Dimming to 15% (-40°C / -40°F cold weather start)	120-277VAC to 24VDC, 100W, Class 2	5-32	4-22

For other power supply options consult factory.

ACCESSORIES - Anti-Glare



Honeycomb Louvre
built into the lighting fixture -
see code matrix above

Can be fitted on all fixed
optics, except for sharp optics
(P - 30° sharp) or L- 35°)



WBA02__
Standard Snoot

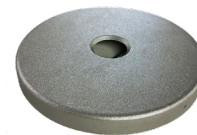
For Snoots include one of the below finishes:

- E** - White
- H** - Anthracite
- T** - Cor-ten
- U** - Copper
- C** - Custom RAL



WBA03__
Asymmetric Snoot

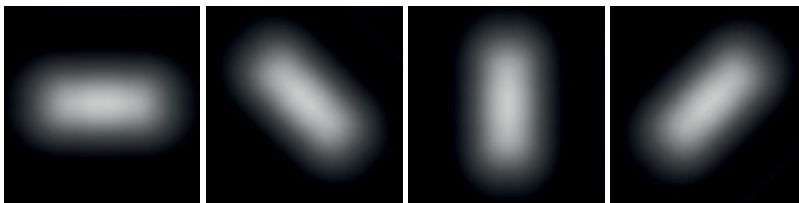
Installation



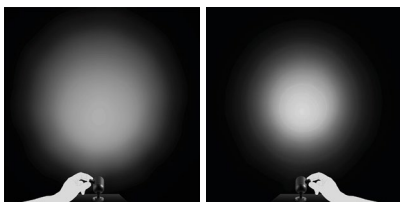
AC-00003__
Mounting Canopy for "J" Box
For Canopy include one of the below finishes:

- E** - White
- H** - Anthracite
- T** - Cor-ten
- U** - Copper
- C** - Custom RAL

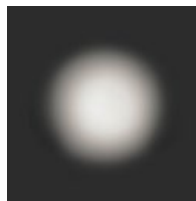
OPTICS



13°x68° - adjustable using the magnet



Manual Zoom - adjustable using the magnet



Fixed

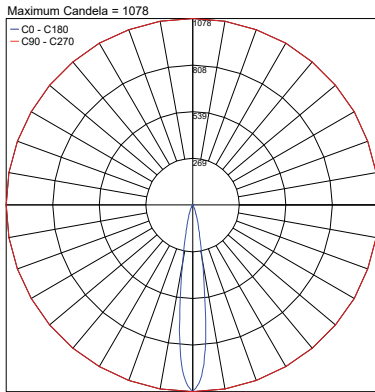
Job Name/Date:

Fixture Type Designation:

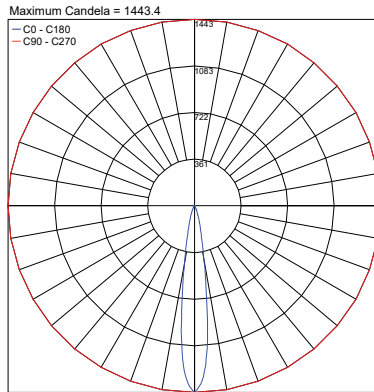
PHOTOMETRIC DATA

Note all Photometry is 3000K, CRI 80

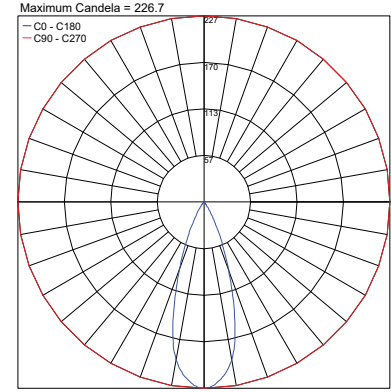
15° 2.5W



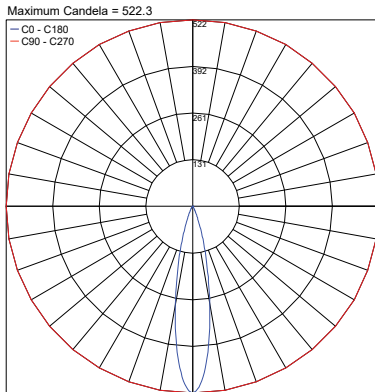
15° 3.5W



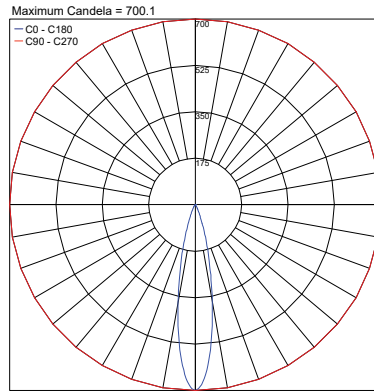
35° 2.5W



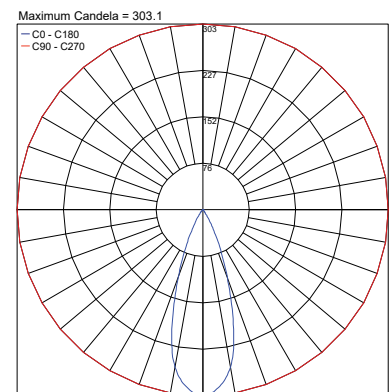
21° 2.5W



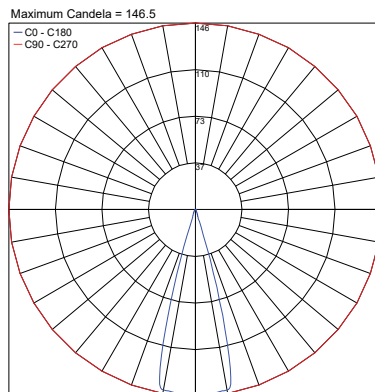
21° 3.5W



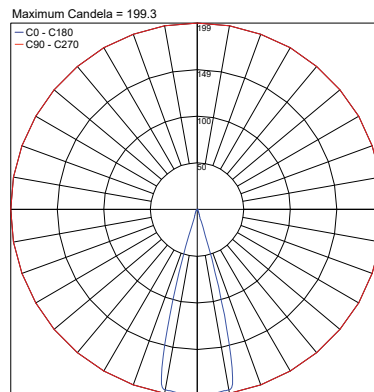
35° 3.5W



30° 2.5W



30° 3.5W



Job Name/Date:

Fixture Type Designation: