

# PIVOT MINI 1

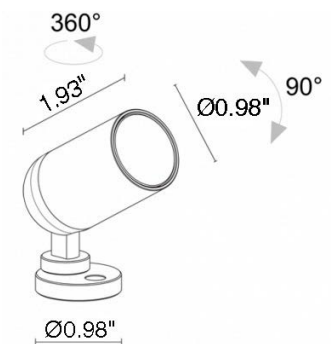
Pivot Mini 1 is a small, compact outdoor projector that can be surface mounted. It is available in 4 different optics and is adjustable 360° on the horizontal axis and +/- 90° on the vertical axis.

## TECHNICAL DATA

<b>Wattage / Input</b>	2.5W, 3.5W (24VDC)
<b>Power Supply</b>	Remote, not included. See page 2.
<b>Construction</b>	Body: Anti-corrosive Aluminum Alloy EN AW 6082 Lens: Tempered Extra-clear Glass Neoprene Cable: 4.9' standard
<b>CCT</b>	2700K, 3000K, 4000K (3500K available, consult factory)
<b>CRI</b>	>80, >90
<b>Delivered Lumens</b>	101 lm (3000K, 15°, 2.5W, CRI 90) 118 lm (3000K, 15°, 2.5W, CRI 80) 134 lm (3000K, 15°, 3.5W, CRI 90) 158 lm (3000K, 15°, 3.5W, CRI 80)
<b>Efficacy</b>	40.4 lm/W (2.5W, CRI 90), 47.2 lm/W (2.5W, CRI 80) 38.3 lm/W (3.5W, CRI 90), 45.1 lm/W (3.5W, CRI 80)
<b>Optics</b>	4 Standard (see below)
<b>Finishes</b>	4 Standard, Custom RAL (see below)
<b>Fixture Dimensions</b>	Ø0.98" x 1.93", Ø0.98" Base
<b>Fixture Weight</b>	0.30 lbs
<b>LED Source</b>	1 Power LED
<b>Lumen Maintenance</b>	L90, B10>50,000hrs (Ta 25°C)
<b>Color Consistency</b>	2-Step MacAdam
<b>Operating Temp.</b>	-4°F to +113°F
<b>IP Rating</b>	IP66
<b>Impact Rating</b>	IK07



Fixture Dimensions



## ORDERING INFORMATION

Example: CP0101100150ME or CP0101100150ME-2. Accessories / Power Supplies ordered separately.

Model #	Wattage	CRI	Optical Accessory	CCT	Optics	Finish	Cable Length
CP010	0 - 2.5W	0 - CRI 80	000 - none	F - 2700K	0S - 15°	E - White	4.92' standard
	1 - 3.5W	1 - CRI 90	001 - Honeycomb Louvre <i>Note: Honeycomb Louvre not compatible with the 30° sharp optics</i>	5 - 3000K 9 - 4000K	0M - 21° 0P - 30° sharp* 0L - 35°* <i>*0P &amp; 0L not available with honeycomb louvre</i>	H - Anthracite T - Cor-ten U - Copper C - Custom RAL <i>(consult factory for "C")</i>	1 - 16.40' 2 - 32.81' 3 - 49.21' 4 - 65.62'

Job Name/Date:

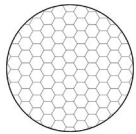
Fixture Type Designation:

## SUGGESTED POWER SUPPLIES 24VDC

Part Number	Description	Input/Output	# of Fixtures	
			2.5W	3.5W
<a href="#">PPLT00149</a>	Non-Dim	120VAC to 24VDC, 10W, Class 2, IP65	1-3	1-2
<a href="#">PPLT00481</a>	Non-Dim	120-277VAC to 24VDC, 24W, Class 2	1-7	1-5
<a href="#">PPLT00056</a>	Non-Dim	120-277VAC to 24VDC, 26W, Class 2, IP66	1-8	1-5
<a href="#">PPLT00599</a>	ELV / TRIAC & 0-10V Dimming (100-0%)	120-277VAC to 24VDC, 96W, Class 2	1-30	1-21
<a href="#">PPLT00284</a>	Non-Dim	120-277VAC to 24VDC, 100W, Class 2	1-32	1-22
<a href="#">PPLT00543</a>	0-10V Dimming to 15% (-40°C / -40°F cold weather start)	120-277VAC to 24VDC, 100W, Class 2	5-32	4-22

For other power supply options consult factory.

## ACCESSORIES - Anti-Glare



**Honeycomb Louvre**  
built into the lighting fixture -  
see code matrix above

Can be fitted on all fixed  
optics, except for sharp optics  
(P - 30° sharp) or L- 35°)



**WBA02\_\_**  
Standard Snoot



**WBA03\_\_**  
Asymmetric Snoot

For Snoots include one of the below finishes:

- E** - White
- H** - Anthracite
- T** - Cor-ten
- U** - Copper
- C** - Custom RAL

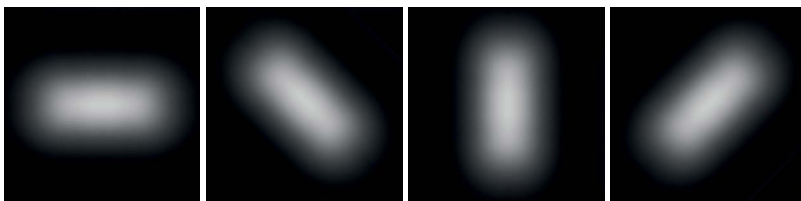
## Installation



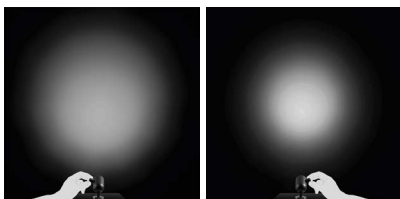
**AC-00003\_\_**  
Mounting Canopy for "J" Box  
For Canopy include one of the below finishes:

- E** - White
- H** - Anthracite
- T** - Cor-ten
- U** - Copper
- C** - Custom RAL

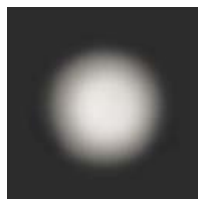
## OPTICS



13°x68° - adjustable using the magnet



Manual Zoom - adjustable using the magnet



Fixed

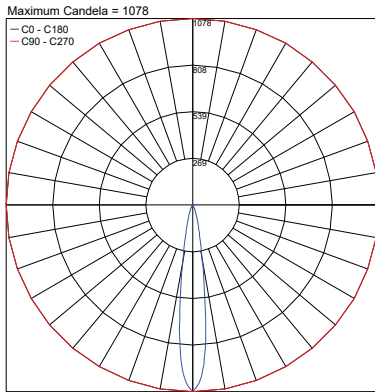
Job Name/Date:

Fixture Type Designation:

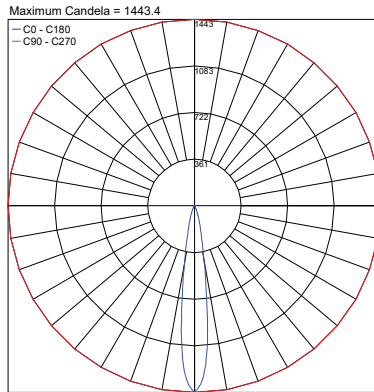
## PHOTOMETRIC DATA

Note all Photometry is 3000K, CRI 80

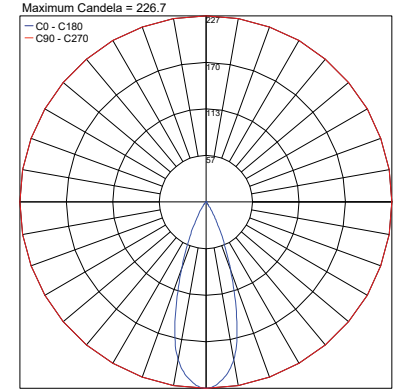
15° 2.5W



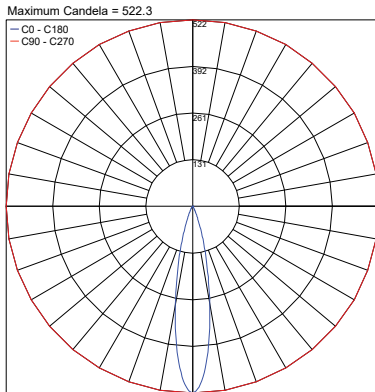
15° 3.5W



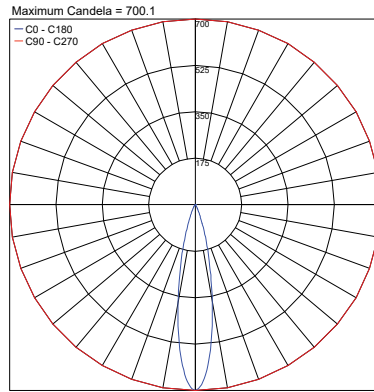
35° 2.5W



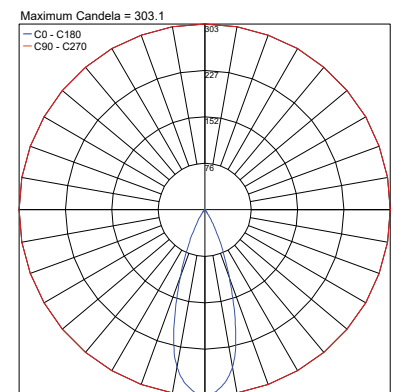
21° 2.5W



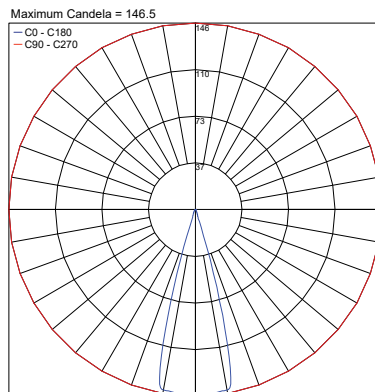
21° 3.5W



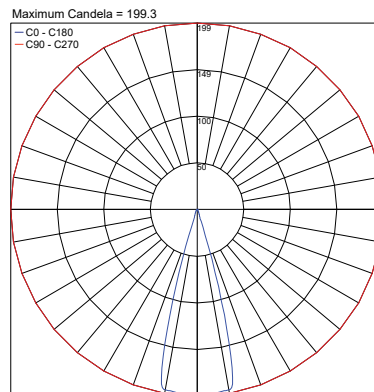
35° 3.5W



30° 2.5W



30° 3.5W



Job Name/Date:

Fixture Type Designation: