

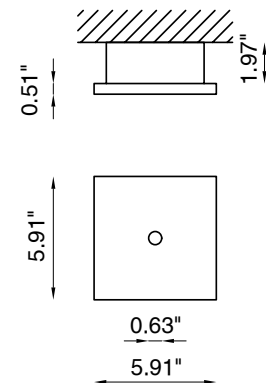
Pixel C is an indoor surface mounted luminaire made of AirCoral® that is inspired by the Genius family and is suitable for installation on brick or plasterboard ceilings. The LED source maintenance is easily carried out through the emission hole (Ø0.6"). It is available in 3 color temperatures and 3 optic options.



## TECHNICAL DATA

<b>Wattage / Input</b>	8.5W (700mA)
<b>Power Supply</b>	Remote, not included. See page 2.
<b>Construction</b>	Body: AirCoral®
<b>CCT</b>	3000K (2700K, 4000K on request)
<b>CRI</b>	>90
<b>Delivered Lumens</b>	Available Soon
<b>Efficacy</b>	Available Soon
<b>Optics</b>	15° (25°, 45° on request)
<b>Finishes</b>	AirCoral®
<b>LED Source</b>	COB professional LED
<b>Fixture Dimensions</b>	5.91" l x 5.91" w x 2.48" h
<b>Aperature</b>	Ø0.63"
<b>Fixture Weight</b>	—
<b>IP Rating</b>	IP40

Fixture Dimensions



The body is made of Aircoral® a unique patented composite material that actually purifies the air. It can be calculated how many cubic feet each fixture will purify. See website for Aircoral® calculator.

Additionally, Aircoral® is:

- Antibacterial.
- Antifungal.
- Scratch-resistant.
- Dust-resistant.
- Suitable for painting.
- LEED recognized material.

## ORDERING INFORMATION

Example: BU1008.AC4S15 M 30.WD.US. Power Supplies ordered separately.

BU1008.AC4S			WD.US
Model No.	Optics	CCT	
BU1008.AC4S	15 M - 15° 25 M - 25° 45 M - 45°	27 - 2700K 30 - 3000K 40 - 4000K	WD.US

Job Name/Date:

Fixture Type Designation:

## SUGGESTED POWER SUPPLIES

700mA

Part Number	Description	Input/Output	# of Fixtures
<a href="#">PPLT00470</a>	Phase Dim (120V only)	120VAC to 700mA, 14W, Class 2	1-1
<a href="#">PPLT00465-P</a>	0-10V Dimming to 1.0%	120-277VAC to 700mA, 20W, Class 2	1-2
<a href="#">PPLT00467-P</a>	0-10V Dimming to 1.0%	120-277VAC to 700mA, 50W, Class 2	1-4
<a href="#">PPLT00538-P</a>	0-10V Dimming to 0.1%	120-277VAC to 700mA, 100W, Class 2	1-8

## Suggested Lutron Compatible

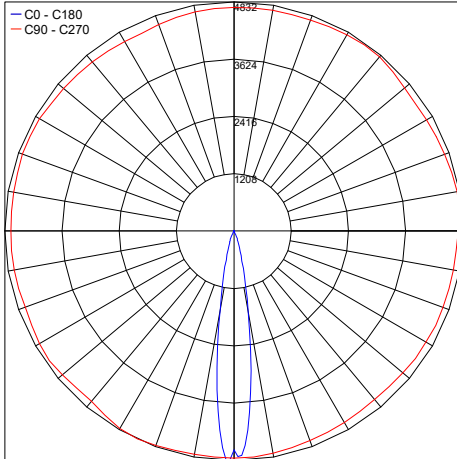
Part Number	Option	Lutron SKU	Dim Range	Description	Input/Output	# of Fixtures
<a href="#">PPLT00515</a>	L3DAE / L3DA3W	L3DA	100%-1%	Hi-Lume™ 1% EcoSystem™ or 1% 3-Wire LED Driver	120-277VAC to 700mA, 14W, Class 2	1-1
<a href="#">PPLT00517</a>	L3DAE / L3DA3W	L3DA	100%-1%	Hi-Lume™ 1% EcoSystem™ or 1% 3-Wire LED Driver	120-277VAC to 700mA, 27W, Class 2	2-3
<a href="#">PPLT00181</a>	L3DAE / L3DA3W	L3DA	100%-1%	Hi-Lume™ 1% EcoSystem™ or 1% 3-Wire LED Driver	120-277VAC to 700mA, 38W, Class 2	3-4

For other power supply options consult factory.

## PHOTOMETRIC DATA

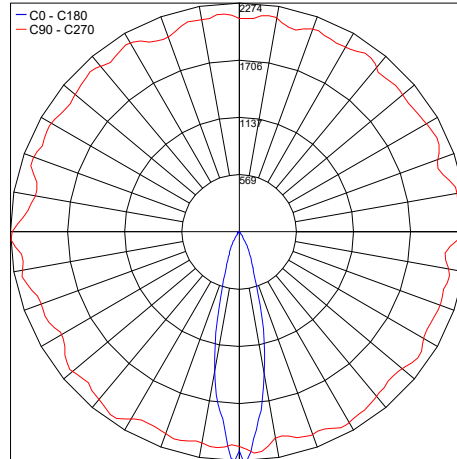
Note: All photometry is 3000K

Maximum Candela = 4832.5



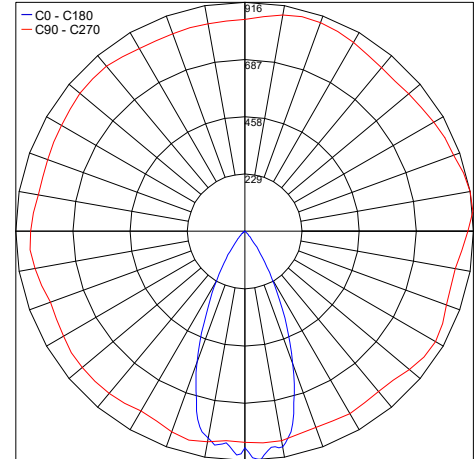
PHOTOMETRIC FILENAME : PIXEL C 15° 30K - BU1008.AC4S15M30WD.IES

Maximum Candela = 2274.3



PHOTOMETRIC FILENAME : PIXEL C 25° 30K - BU1008.AC4S25M30WD.IES

Maximum Candela = 916.4



PHOTOMETRIC FILENAME : PIXEL C 45° 30K - BU1008.AC4S45M30WD.IES

Job Name/Date:

Fixture Type Designation: