



INSTRUCTIONS PERTAINING TO RISK OF FIRE OR INJURY TO PERSONS. READ ALL INSTRUCTIONS. IMPORTANT SAFETY INSTRUCTIONS. SAVE THESE INSTRUCTIONS.

DANGER - RISK OF SHOCK - DISCONNECT POWER BEFORE INSTALLATION! Please read all instructions before installation.

- Keep these instructions for future reference.
- Must be installed by a qualified electrician in accordance with national and local standards. Designplan is not responsible for fixtures installed without regard to these standards.
- Unauthorized alterations or tampering of product voids warranty.
- The main power connection must be in accordance with local electrical codes.
- Suitable for INDOOR applications.
- DO NOT INSTALL INSULATION WITHIN 3.0" (76 mm) OF ANY PART OF THE LUMINAIRE.



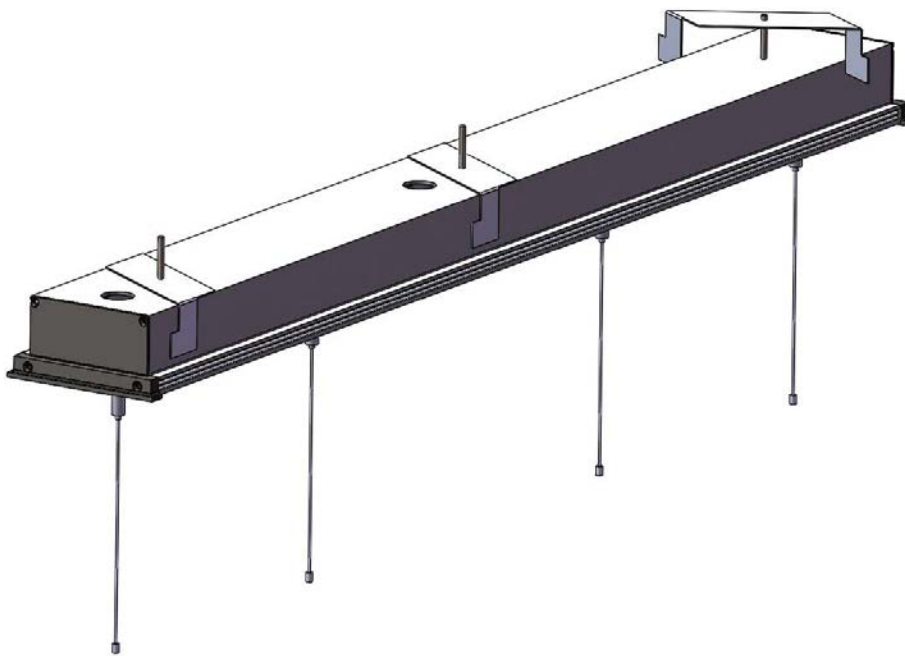
Maintenance

Scheduled maintenance must be carried out once a year on all lighting devices, regardless of appliance class and type of use. It must include the following operations:

- Periodically clean fixtures to remove dirt from gratings and screw heads.
- Check tightness of screws on various parts of the device.
- Check that all cable glands and cables are intact and tight. Check that the glass or plastic lens is intact, and replace it if broken or damaged.
- The internal components such as the ballast, driver, washers and screws must not show clear signs of oxidation or rust. Clear traces of rust and oxidation will indicate the presence of water inside the device.
- In the case of damage, the components must be replaced by original components or spare parts.

Housing Installation

- Fixture consists of a recessed electronics canopy housing with canopy cover, and the fixture itself. after installing the recessed canopy into the ceiling, then the fixture can be connected using the two pendant cables, which also serve as the low voltage power connection.
- Begin by determining the location for the fixture, and cutting a hole in the ceiling that measures 35" x 3-11/16". Pull the building power feed down thru this hole. Feed the building power into one of the 1/2" conduit entries, and place the recessed canopy up into the hole that was cut out in step 1.
- The recessed canopy is secured to the ceiling by (3) mounting spring on the back side of the canopy housing.
- Adjust the height of the mounting spring according to the ceiling thickness by rotating the screw. Mounting Spring can be used for ceiling thickness from 3/8" to 1". Insert the recessed canopy into the cutout in the ceiling and rotate the screw to tighten the mounting springs down onto the ceiling.



MOUNTING SPRING IN CLAMP POSITION.

- Unplug the amp connector. Make supply lead connections inside the canopy using the female amp connector. CONNECT GREEN WIRE TO "GROUND", CONNECT WHITE BUILDING WIRE TO WHITE FIXTURE WIRE. CONNECT BLACK BUILDING WIRE TO BLACK FIXTURE WIRE. FOR 0-10V DIMMING APPLICATIONS THE RED IS THE POSITIVE (+) AND THE ORANGE IS NEGATIVE (-). IF DIMMING IS NOT REQUIRED SIMPLY CAP OFF ENDS. Also, there is a 2 position quick connect plug between the canopy housing and the canopy cover. ensure that all quick connect plugs are connected, and fasten the canopy cover using the 6 screws.

Fixture Installation

- On the canopy cover, there are two silver cable grippers. Unscrew the gripper covers and slide the covers onto the low voltage cables that are part of the fixture. Once the gripper cover is removed, there will be a spring-loaded setscrew on the bottom of the cable gripper. Pushing in this spring-loaded setscrew will allow the low voltage cable on the fixture to be inserted and adjusted for length. CAUTION! The two grippers are different colors. the BLACK gripper is for the NEGATIVE low voltage cable, and the SILVER gripper is for the POSITIVE low voltage cable. (carefully remove one of the endcaps on the fixture... there is a label inside that shows what side is + or -.) NEVER CONNECT CABLE WHILE THE FIXTURE IS POWERED.
- Cut the cable close to the gripper with wire nippers where the cable was marked. The cable gripper can be actuated, and the low voltage cable can be SLOWLY pulled back thru the gripper. The reason for cutting the cable in this fashion is once the cable has been cut, it tends to unravel, making it very difficult to re-insert into the cable gripper. If the cable is cut while still in the gripper, the cable cannot unravel.
- Slip the cable gripper covers back up the low voltage cables and screw them back onto the cable grippers. Fixture is ready to be energized.

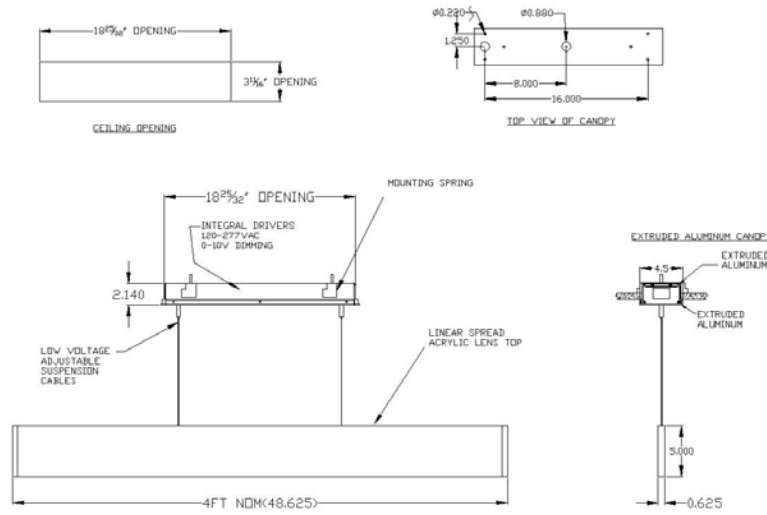
CAUTION!!! DO NOT ALLOW THE LOW VOLTAGE CABLES TO TOUCH EACH OTHER WHEN THE FIXTURE IS ENERGIZED!!!
THEY CARRY 2100mA AND WILL DAMAGE THE LEDS IF THEY SHORT AGAINST ONE ANOTHER.



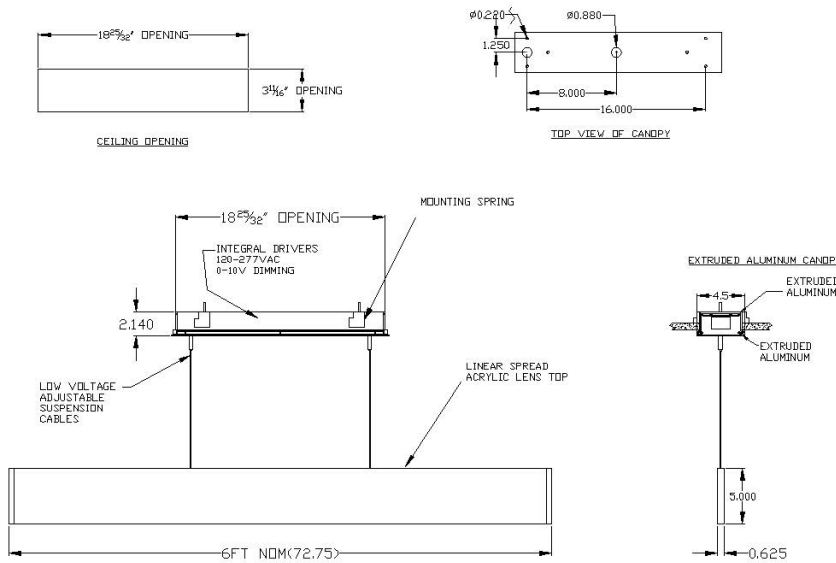
NEVER CONNECT CABLE WHILE THE FIXTURE IS POWERED.

Mounting Pattern

4FT



6FT



8FT

