

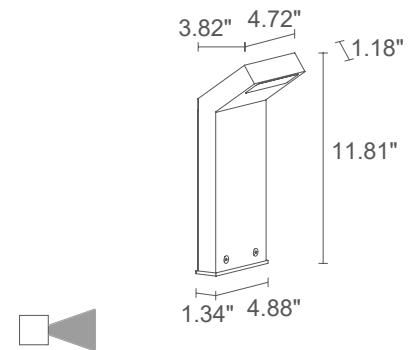
The Plin 1 series is a line of minimalist outdoor bollards. With a slightly angled head, the series is available in three different heights with a single diffuse light emission. Dark Sky compliant for output below 80°.



TECHNICAL DATA

| | |
|---------------------------|--|
| Wattage / Input | 12W (24VDC) |
| Power Supply | Remote, not included. See page 2. |
| Construction | Body: Aluminum Alloy Lens: Glass |
| CCT | 2700K, 3000K, 4000K |
| BUG Rating | B0-U1-G1 (3000K) |
| CRI | CRI >80 |
| Delivered Lumens | 558 lm (3000K) Dark Sky compliant, output below 80° |
| Efficacy | 46.5 lm/W |
| Optics | Diffuse |
| Finishes | 4 Standard, Custom RAL (see below) |
| Fixture Dimensions | 4.88" l x 1.34" w x 11.81" h |
| Fixture Weight | 2.87 lbs |
| LED Source | 18 Power LEDs |
| Lumen Maintenance | L85, B10>50,000hrs (Ta 25°C) |
| Color Consistency | 3-Step MacAdam |
| Operating Temp. | -4°F to +113°F |
| IP Rating | IP65 |
| Impact Resistance | IK08 |

Fixture Dimensions



ORDERING INFORMATION

Example: PN10105AH. Accessories / Power Supplies ordered separately.

| PN1010 | | A | |
|-----------|-------------------------------------|-------------|---|
| Model No. | CCT | Optics | Finish |
| PN1010 | F - 2700K 5 - 3000K 9 - 4000K | A - Diffuse | E - White F - Grey H - Anthracite T - Cor-ten C - Custom RAL (consult factory for "C") |

Job Name/Date:

Fixture Type Designation:

SUGGESTED POWER SUPPLIES 24VDC

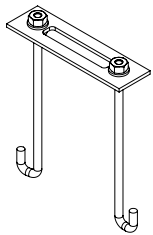
| Part Number | Description | Input/Output | # of Fixtures |
|---------------------------|---|---|---------------|
| PPLT00586 | Non-Dim | 120-277VAC to 24VDC, 40W, Class 2 | 1-3 |
| PPLT00709 | ELV / TRIAC & 0-10V Dimming | 120-277VAC to 24VDC, 96W, Class 2, DAMP | 1-7 |
| PPLT00543 | 0-10V Dimming to 15% (-40°C / -40°F cold weather start) | 120-277VAC to 24VDC, 100W, Class 2 | 1-8 |

Suggested Lutron Compatible

| Part Number | Option | Lutron SKU | Dim Range | Description | Input/Output | # of Fixtures |
|---------------------------|----------------|------------|-----------|--|-----------------------------------|---------------|
| PPLT00273 | L3DAE / L3DA3W | L3DA | 100%-1% | Hi-Lume™ 1% EcoSystem™ or 1% 3-Wire LED Driver | 120-277VAC to 24VDC, 40W, Class 2 | 1-3 |
| PPLT00530 | L3DAE / L3D0 | L3DA/L3D0 | 100%-1% | Hi-Lume™ 0.1% EcoSystem™ or 3-Wire LED Driver | 120-277VAC to 24VDC, 96W, Class 2 | 1-7 |

For other power supply options consult factory.

ACCESSORIES - Installation

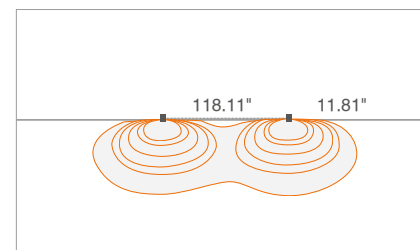
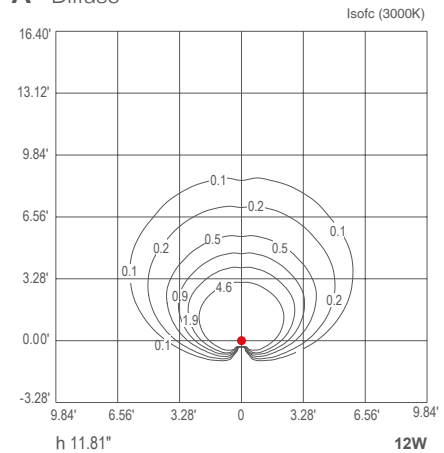


AM-00012
Anchor Base

PHOTOMETRIC DATA

Note all Photometry is 3000K

A - Diffuse



Job Name/Date:

Fixture Type Designation: