

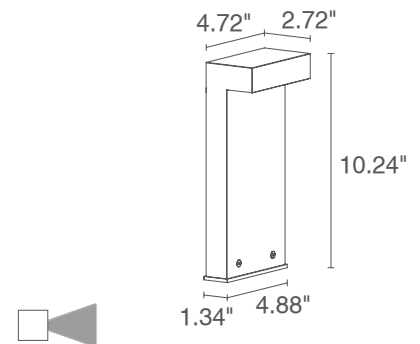
The Plin 2 series is a line of minimalist outdoor bollards. Available in three different heights with a single asymmetrical optic and full cut-off fixture head. Dark Sky compliant for output below 80°.



TECHNICAL DATA

Wattage / Input	12W (24VDC)
Power Supply	Remote, not included. See page 2.
Construction	Body: Aluminum Alloy Lens: Glass
CCT	2700K, 3000K, 4000K
BUG Rating	B0-U1-G0 (3000K)
CRI	CRI >80
Delivered Lumens	492 lm (3000K) Dark Sky compliant, output below 80°
Efficacy	41 lm/W
Optics	Asymmetrical Diffuse
Finishes	4 Standard, Custom RAL (see below)
Fixture Dimensions	4.88" l x 2.64" w x 10.24" h
Fixture Weight	3.09 lbs
LED Source	18 Power LEDs
Lumen Maintenance	L85, B10>50,000hrs (Ta 25°C)
Color Consistency	3-Step MacAdam
Operating Temp.	-4°F to +113°F
IP Rating	IP65
Impact Resistance	IK08

Fixture Dimensions



ORDERING INFORMATION

Example: PN20105AH. Accessories / Power Supplies ordered separately.

PN2010		A	
Model No.	CCT	Optics	Finish
PN2010	F - 2700K 5 - 3000K 9 - 4000K	A - Asymmetrical Diffuse	E - White F - Grey H - Anthracite T - Cor-ten C - Custom RAL (consult factory for "C")

Job Name/Date:

Fixture Type Designation:

SUGGESTED POWER SUPPLIES

24VDC

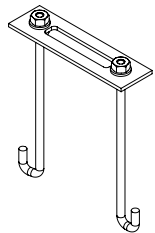
Part Number	Description	Input/Output	# of Fixtures
PPLT00056	Non-Dim	120-277VAC to 24VDC, 26W, Class 2, IP66	1-1
PPLT00586	Non-Dim	120-277VAC to 24VDC, 40W, Class 2	1-2
PPLT00709	ELV / TRIAC & 0-10V Dimming	120-277VAC to 24VDC, 96W, Class 2, DAMP	1-6
PPLT00543	0-10V Dimming to 15% (-40°C / -40°F cold weather start)	120-277VAC to 24VDC, 100W, Class 2	1-6

Suggested Lutron Compatible

Part Number	Option	Lutron SKU	Dim Range	Description	Input/Output	# of Fixtures
PPLT00273	L3DAE / L3DA3W	L3DA	100%-1%	Hi-Lume™ 1% EcoSystem™ or 1% 3-Wire LED Driver	120-277VAC to 24VDC, 40W, Class 2	1-2
PPLT00530	L3DAE / L3D0	L3DA/L3D0	100%-1%	Hi-Lume™ 0.1% EcoSystem™ or 3-Wire LED Driver	120-277VAC to 24VDC, 96W, Class 2	1-6

For other power supply options consult factory.

ACCESSORIES - Installation

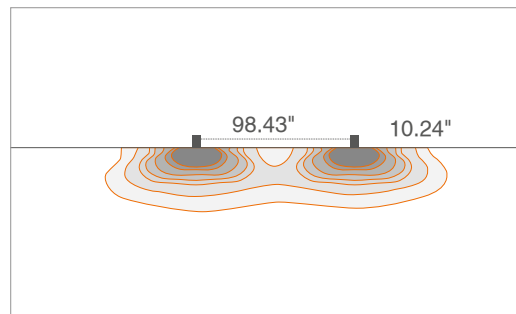
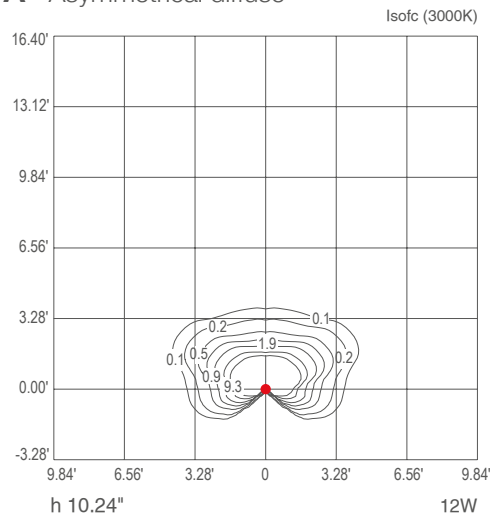


AM-00012
Anchor Base

PHOTOMETRIC DATA

Note all photometry in 3000K

A - Asymmetrical diffuse



Job Name/Date:

Fixture Type Designation: