

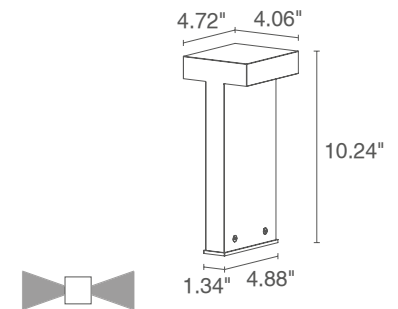
The Plin 3 series is a line of minimalist outdoor bollards. Available in three different heights with a double asymmetrical optic and full cut-off fixture head.



## TECHNICAL DATA

<b>Wattage / Input</b>	20W: 10W + 10W (24VDC)
<b>Power Supply</b>	Remote, not included. See page 2.
<b>Construction</b>	Body: Aluminum Alloy Lens: Glass
<b>CCT</b>	2700K, 3000K, 4000K
<b>BUG Rating</b>	B1-U1-G0 (3000K)
<b>CRI</b>	CRI >80
<b>Delivered Lumens</b>	492 lm per beam (3000K)
<b>Efficacy</b>	41 lm/W per beam
<b>Optics</b>	Asymmetrical Diffuse
<b>Finishes</b>	4 Standard, Custom RAL (see below)
<b>Fixture Dimensions</b>	4.88" l x 4.06" w x 10.24" h
<b>Fixture Weight</b>	3.97 lbs
<b>LED Source</b>	2 x 18 Power LEDs
<b>Lumen Maintenance</b>	L85, B10>50,000hrs (Ta 25°C)
<b>Color Consistency</b>	3-Step MacAdam
<b>Operating Temp.</b>	-4°F to +113°F
<b>IP Rating</b>	IP65
<b>Impact Resistance</b>	IK08

Fixture Dimensions



## ORDERING INFORMATION

Example: PN30105AH. Accessories / Power Supplies ordered separately.

PN3010		A	
Model No.	CCT	Optics	Finish
PN3010	F - 2700K 5 - 3000K 9 - 4000K	A - Asymmetrical Diffuse	E - White F - Grey H - Anthracite T - Cor-ten C - Custom RAL <i>(consult factory for "C")</i>

Job Name/Date:

Fixture Type Designation:

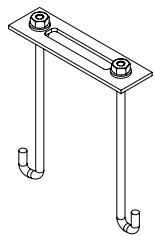
## SUGGESTED POWER SUPPLIES

24VDC

Part Number	Description	Input/Output	# of Fixtures
<a href="#">PPLT00155</a>	Non-Dim	120VAC to 24VDC, 30W, Class 2	1-1
<a href="#">PPLT00157</a>	Non-Dim	120VAC to 24VDC, 60W, Class 2	1-2
<a href="#">PPLT00158</a>	Non-Dim	120VAC to 24VDC, 100W, Class 2	1-4
<a href="#">PPLT00543</a>	0-10V Dimming to 15% (-40°C / -40°F cold weather start)	120-277VAC to 24VDC, 100W, Class 2	1-4

For other power supply options consult factory.

## ACCESSORIES - Installation

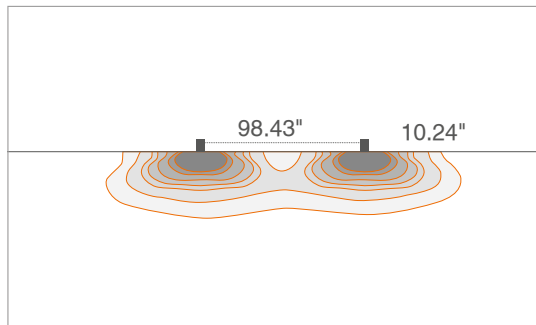
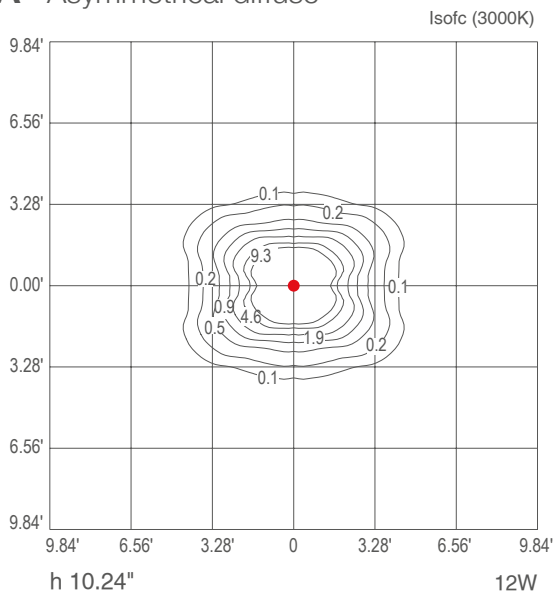


**AM-00012**  
Anchor Base

## PHOTOMETRIC DATA

Note all photometry in 3000K

**A** - Asymmetrical diffuse



Job Name/Date:

Fixture Type Designation: