

PLIN 3.2

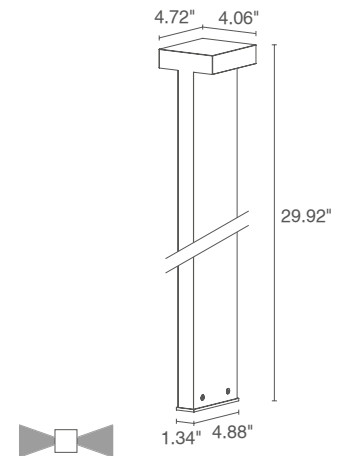
The Plin 3 series is a line of rectangular outdoor bollards available in three different heights with a double beam and asymmetrical diffuse optics. Dark Sky compliant for output below 80°.



TECHNICAL DATA

| | |
|---------------------------|---|
| Wattage / Input | 20W: 10W + 10W (24VDC) |
| Power Supply | Remote, not included. See page 2. |
| Construction | Body: Aluminum Alloy Lens: Glass |
| CCT | 2700K, 3000K, 4000K |
| BUG Rating | B1-U1-G0 (3000K) |
| CRI | CRI >80 |
| Delivered Lumens | 492 lm per beam (3000K) Dark Sky compliant, output below 80° |
| Efficacy | 41 lm/W per beam |
| Optics | Asymmetrical Diffuse |
| Finishes | 4 Standard, Custom RAL (see below) |
| Fixture Dimensions | 4.88" l x 4.06" w x 29.92" h |
| Fixture Weight | 5.18 lbs |
| LED Source | 2 x 18 Power LEDs |
| Lumen Maintenance | L85, B10>50,000hrs (Ta 25°C) |
| Color Consistency | 3-Step MacAdam |
| Operating Temp. | -4°F to +113°F |
| IP Rating | IP65 |
| Impact Resistance | IK08 |

Fixture Dimensions



ORDERING INFORMATION

Example: PN32105AH. Accessories / Power Supplies ordered separately.

| PN3210 | | A | |
|-----------|-------------------------------------|--------------------------|--|
| Model No. | CCT | Optics | Finish |
| PN3210 | F - 2700K 5 - 3000K 9 - 4000K | A - Asymmetrical Diffuse | E - White F - Grey H - Anthracite T - Cor-ten C - Custom RAL <i>(consult factory for "C")</i> |

Job Name/Date:

Fixture Type Designation:

SUGGESTED POWER SUPPLIES

24VDC

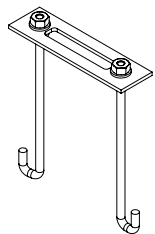
| Part Number | Description | Input/Output | # of Fixtures |
|---------------------------|---|---|---------------|
| PPLT00155 | Non-Dim | 120VAC to 24VDC, 30W, Class 2 | 1-1 |
| PPLT00586 | Non-Dim | 120-277VAC to 24VDC, 40W, Class 2 | 1-1 |
| PPLT00709 | ELV/TRIAC & 0-10V Dimming to 5% and OFF | 120-277VAC to 24VDC, 96W, Class 2, DAMP | 1-3 |
| PPLT00543 | 0-10V Dimming to 15% (-40°C / -40°F cold weather start) | 120-277VAC to 24VDC, 100W, Class 2 | 1-4 |

Suggested Lutron Compatible

| Part Number | Option | Lutron SKU | Dim Range | Description | Input/Output | # of Fixtures |
|---------------------------|----------------|------------|-----------|--|-----------------------------------|---------------|
| PPLT00273 | L3DAE / L3DA3W | L3DA | 100%-1% | Hi-Lume™ 1% EcoSystem™ or 1% 3-Wire LED Driver | 120-277VAC to 24VDC, 40W, Class 2 | 1-1 |
| PPLT00530 | L3DAE / L3D0 | L3DA/L3D0 | 100%-1% | Hi-Lume™ 0.1% EcoSystem™ or 3-Wire LED Driver | 120-277VAC to 24VDC, 96W, Class 2 | 1-3 |

For other power supply options consult factory.

ACCESSORIES - Installation

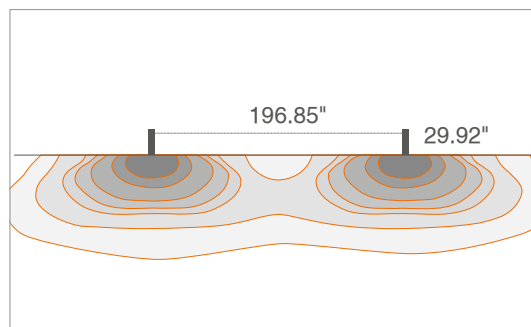
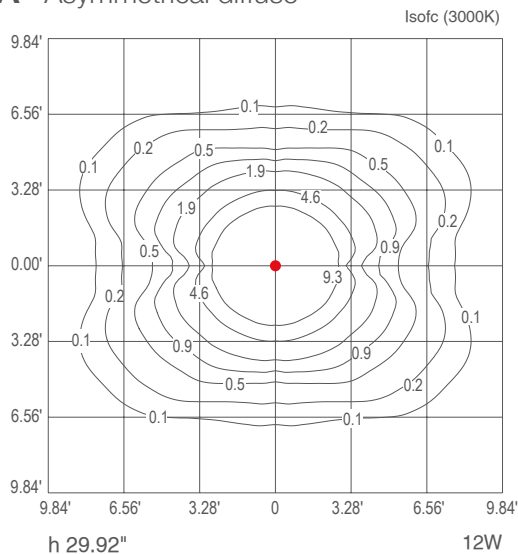


AM-00012
Anchor Base

PHOTOMETRIC DATA

Note all photometry in 3000K

A - Asymmetrical diffuse



Job Name/Date:

Fixture Type Designation: