

PLIN 4.1

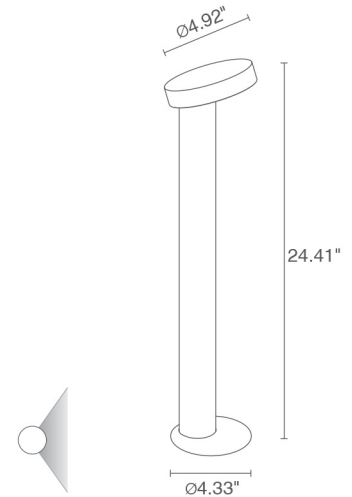
The Plin 4 series is a line of minimalist outdoor bollards. Available in three different heights with a diffuse optic and slightly angled round fixture head.



TECHNICAL DATA

| | |
|---------------------------|--|
| Wattage / Input | 8W (24VDC) |
| Power Supply | Remote, not included. See page 2. |
| Construction | Body: Steel Head: Anticorodal Aluminum Lens: Serigraphed, Tempered Extra-Clear Glass |
| CCT | 2700K, 3000K, 4000K |
| CRI | CRI >80 |
| Delivered Lumens | 423 lm (3000K) |
| Efficacy | 52.8 lm/W |
| Optics | Diffuse |
| Finishes | 4 Standard, Custom RAL (see below) |
| Fixture Dimensions | Ø4.92" x 24.41" h |
| Fixture Weight | 5.84 lbs |
| LED Source | 1 Power LED |
| Lumen Maintenance | L85, B10>50,000hrs (Ta 25°C) |
| Color Consistency | 3-Step MacAdam |
| Operating Temp. | -4°F to +113°F |
| IP Rating | IP65 |
| Impact Resistance | IK07 |

Fixture Dimensions



ORDERING INFORMATION

Example: PN411005DT. Accessories / Power Supplies ordered separately.

| PN41100 | | D | |
|-----------|-------------------------------------|-------------|---|
| Model No. | CCT | Optics | Finish |
| PN41100 | F - 2700K 5 - 3000K 9 - 4000K | D - Diffuse | E - White F - Grey H - Anthracite T - Cor-ten C - Custom RAL (consult factory for "C") |

Job Name/Date:

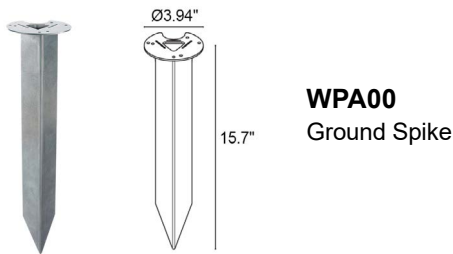
Fixture Type Designation:

SUGGESTED POWER SUPPLIES 24VDC

| Part Number | Description | Input/Output | # of Fixtures |
|---------------------------|---|---|---------------|
| PPLT00632 | 0-10V Dimming (Dim to Off) | 120-277VAC to 24VDC, 12W, Class 2 | 1-1 |
| PPLT00056 | Non-Dim | 120-277VAC to 24VDC, 26W, Class 2, IP66 | 1-2 |
| PPLT00157 | Non-Dim | 120VAC to 24VDC, 60W, Class 2 | 1-6 |
| PPLT00599 | ELV / TRIAC & 0-10V Dimming (100 to 0%) | 120-277VAC to 24VDC, 96W, Class 2 | 1-9 |
| PPLT00158 | Non-Dim | 120VAC to 24VDC, 100W, Class 2 | 1-10 |
| PPLT00543 | 0-10V Dimming to 15% (-40°C / -40°F cold weather start) | 120-277VAC to 24VDC, 100W, Class 2 | 2-10 |

For other power supply options consult factory.

ACCESSORIES - Installation

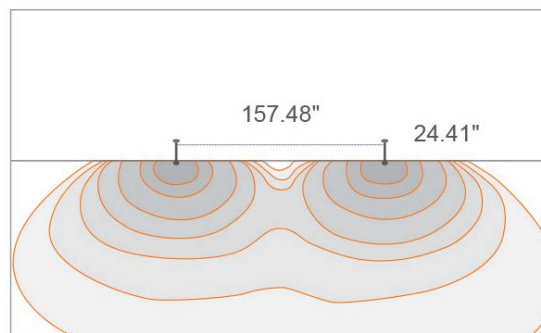
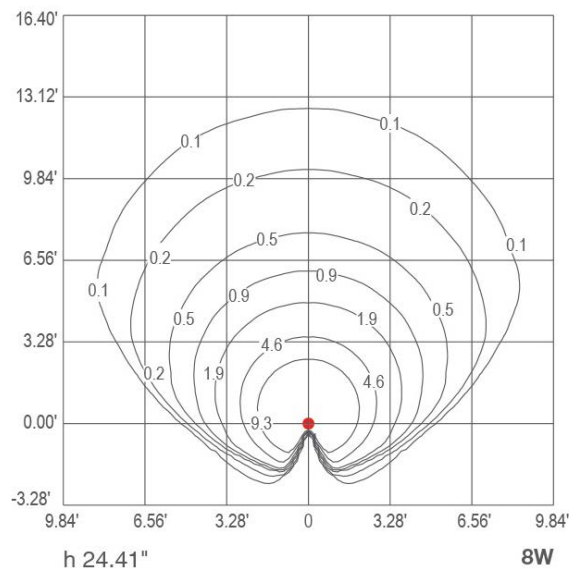


PHOTOMETRIC DATA

Note all photometry in 3000K

D - Diffuse

Isofc (3000K)



Job Name/Date:

Fixture Type Designation: