

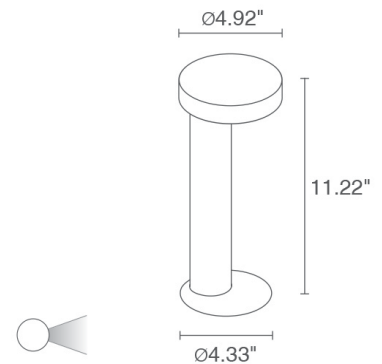
The Plin 5 series is a line of minimalist outdoor bollards. Available in three different heights with a diffuse asymmetric optic and full cut-off round fixture head.



TECHNICAL DATA

Wattage / Input	8W (24VDC)
Power Supply	Remote, not included. See page 2.
Construction	Body: Steel Head: Anticorodal Aluminum Lens: Serigraphed, Tempered Extra-Clear Glass
CCT	2700K, 3000K, 4000K
CRI	CRI >80
Delivered Lumens	173 lm (3000K)
Efficacy	21.6 lm/W
Optics	Asymmetrical Diffuse
Finishes	4 Standard, Custom RAL (see below)
Fixture Dimensions	Ø4.92" x 11.22" h
Fixture Weight	3.97 lbs
LED Source	1 Power LED
Lumen Maintenance	L85, B10>50,000hrs (Ta 25°C)
Color Consistency	3-Step MacAdam
Operating Temp.	-4°F to +113°F
IP Rating	IP65
Impact Resistance	IK07

Fixture Dimensions



ORDERING INFORMATION

Example: PN501005AT. Accessories / Power Supplies ordered separately.

PN50100		A	
Model No.	CCT	Optics	Finish
PN50100	F - 2700K 5 - 3000K 9 - 4000K	A - Asymmetrical Diffuse	E - White F - Grey H - Anthracite T - Cor-ten C - Custom RAL (consult factory for "C")

Job Name/Date:

Fixture Type Designation:

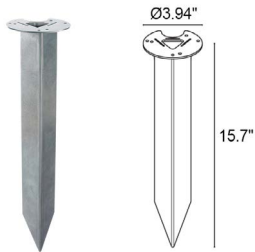
SUGGESTED POWER SUPPLIES

24VDC

Part Number	Description	Input/Output	# of Fixtures
PPLT00632	0-10V Dimming (Dim to Off)	120-277VAC to 24VDC, 12W, Class 2	1-1
PPLT00056	Non-Dim	120-277VAC to 24VDC, 26W, Class 2, IP66	1-2
PPLT00157	Non-Dim	120VAC to 24VDC, 60W, Class 2	1-6
PPLT00599	ELV / TRIAC & 0-10V Dimming (100 to 0%)	120-277VAC to 24VDC, 96W, Class 2	1-9
PPLT00158	Non-Dim	120VAC to 24VDC, 100W, Class 2	1-10
PPLT00543	0-10V Dimming to 15% (-40°C / -40°F cold weather start)	120-277VAC to 24VDC, 100W, Class 2	2-10

For other power supply options consult factory.

ACCESSORIES - Installation



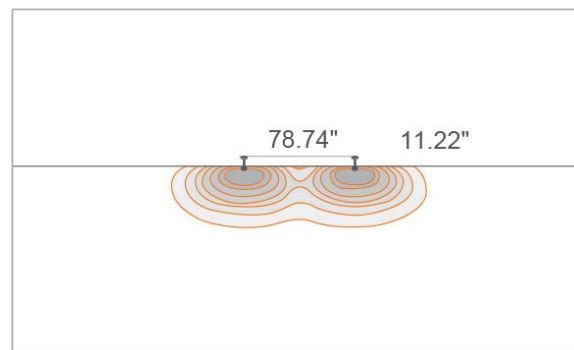
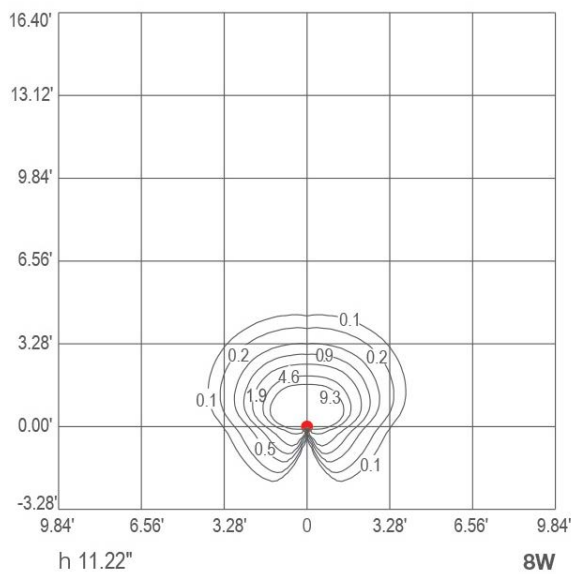
WPA00
Ground Spike

PHOTOMETRIC DATA

Note all photometry in 3000K

A - Asymmetrical

Isofc (3000K)



Job Name/Date:

Fixture Type Designation: