

# PLIN 5.1

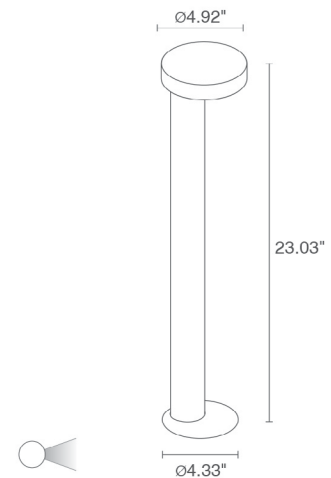
The Plin 5 series is a line of minimalist outdoor bollards. Available in three different heights with a diffuse asymmetric optic and full cut-off round fixture head.



## TECHNICAL DATA

|                           |  |
|---------------------------|--|
| <b>Wattage / Input</b>    | 8W (24VDC)   |
| <b>Power Supply</b>       | Remote, not included. See page 2.  |
| <b>Construction</b>       | Body: Steel<br>Head: Anticorodal Aluminum<br>Lens: Serigraphed, Tempered Extra-Clear Glass |
| <b>CCT</b>                | 2700K, 3000K, 4000K  |
| <b>CRI</b>                | CRI >80  |
| <b>Delivered Lumens</b>   | 173 lm (3000K)   |
| <b>Efficacy</b>           | 21.6 lm/W  |
| <b>Optics</b>             | Asymmetrical Diffuse   |
| <b>Finishes</b>           | 4 Standard, Custom RAL (see below)   |
| <b>Fixture Dimensions</b> | Ø4.92" x 23.03" h  |
| <b>Fixture Weight</b>     | 5.51 lbs   |
| <b>LED Source</b>         | 1 Power LED  |
| <b>Lumen Maintenance</b>  | L85, B10>50,000hrs (Ta 25°C)   |
| <b>Color Consistency</b>  | 3-Step MacAdam   |
| <b>Operating Temp.</b>    | -4°F to +113°F   |
| <b>IP Rating</b>          | IP65   |
| <b>Impact Resistance</b>  | IK07   |

Fixture Dimensions



## ORDERING INFORMATION

Example: PN511005AT. Accessories / Power Supplies ordered separately.

| PN51100   |                                     | A                        |  |
|-----------|-------------------------------------|--------------------------|--|
| Model No. | CCT                                 | Optics                   | Finish   |
| PN51100   | F - 2700K<br>5 - 3000K<br>9 - 4000K | A - Asymmetrical Diffuse | E - White<br>F - Grey<br>H - Anthracite<br>T - Cor-ten<br>C - Custom RAL<br>(consult factory for "CR") |

Job Name/Date:

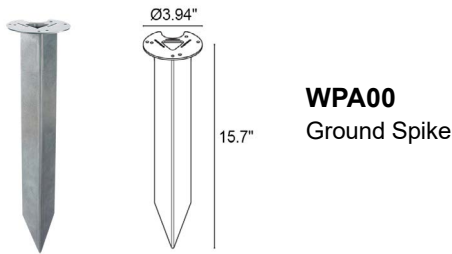
Fixture Type Designation:

## SUGGESTED POWER SUPPLIES 24VDC

| Part Number               | Description   | Input/Output                            | # of Fixtures |
|---------------------------|---|---|---------------|
| <a href="#">PPLT00632</a> | 0-10V Dimming (Dim to Off)                              | 120-277VAC to 24VDC, 12W, Class 2       | 1-1           |
| <a href="#">PPLT00056</a> | Non-Dim   | 120-277VAC to 24VDC, 26W, Class 2, IP66 | 1-2           |
| <a href="#">PPLT00157</a> | Non-Dim   | 120VAC to 24VDC, 60W, Class 2           | 1-6           |
| <a href="#">PPLT00599</a> | ELV / TRIAC & 0-10V Dimming (100 to 0%)                 | 120-277VAC to 24VDC, 96W, Class 2       | 1-9           |
| <a href="#">PPLT00158</a> | Non-Dim   | 120VAC to 24VDC, 100W, Class 2          | 1-10          |
| <a href="#">PPLT00543</a> | 0-10V Dimming to 15% (-40°C / -40°F cold weather start) | 120-277VAC to 24VDC, 100W, Class 2      | 2-10          |

For other power supply options consult factory.

## ACCESSORIES - Installation

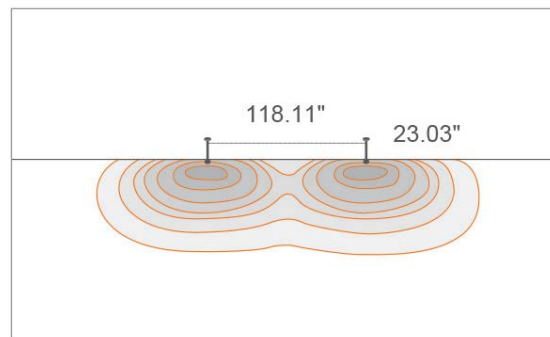
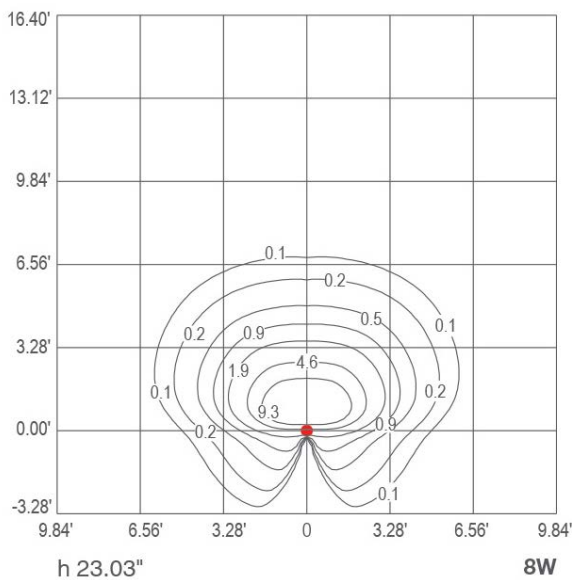


## PHOTOMETRIC DATA

Note all photometry in 3000K

**A** - Asymmetrical

Isofc (3000K)



Job Name/Date:

Fixture Type Designation: