

Polaris is a recessed indoor downlight made of AirCoral® with indirect light, rounded edge and a paintable upper dome. It has a bright cupola made of the composite that reflects the light source and spreads it indirectly in the room. It comes in 3000K with a 120° optic and can be used as a trap door to inspect the false ceiling.

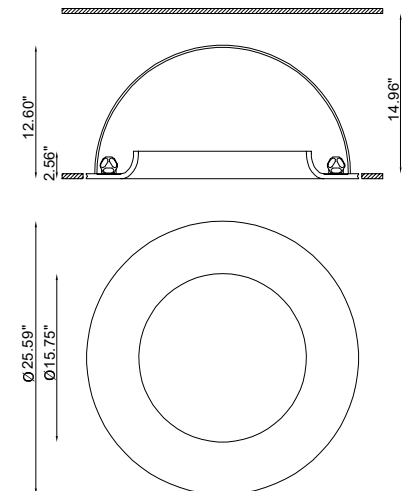


TECHNICAL DATA

Wattage / Input	24W (12VDC)
Power Supply	Remote, not included. See page 2.
Construction	Body: AirCoral®
CCT	3000K
Delivered Lumens	1800 lm (3000K)
Efficacy	75.0 lm/W
Optics	120°
Finishes	AirCoral®
Fixture Dimensions	Ø25.29" x 12.60" h
Aperature	Ø15.75"
Cut-out Dimension	Ø22.98"
Fixture Weight	22.0 lbs
IP Rating	IP20

Ceiling Cut-Out: Ø22.98"

Fixture Dimensions:
Ø25.29" x 12.60" h



The body is made of AirCoral® a unique patented composite material that actually purifies the air. It can be calculated how many cubic feet each fixture will purify. See website for AirCoral® calculator.

Additionally, AirCoral® is:

- Antibacterial.
- Antifungal.
- Scratch-resistant.
- Dust-resistant.
- Suitable for painting.
- LEED recognized material.

ORDERING INFORMATION

Example: BU6978.AC.US.

BU6978	AC	US
Model No.	Finish	
BU6978	AC - AirCoral®	US

Job Name/Date:

Fixture Type Designation:

SUGGESTED POWER SUPPLIES

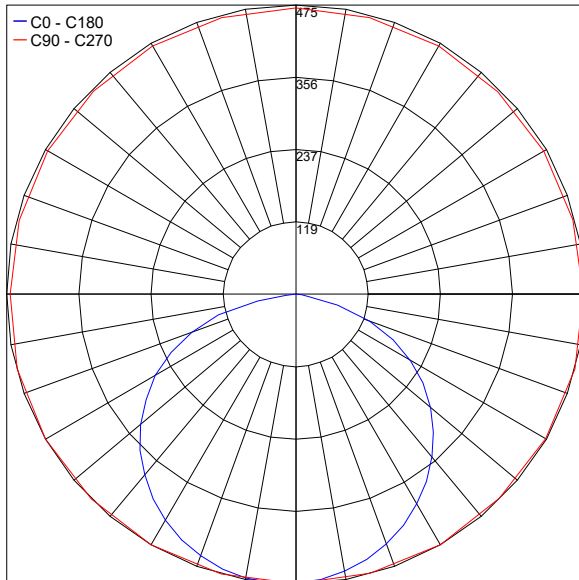
12VDC

Part Number	Description	Input/Output	Fixtures
PPLT00022	Non-Dim	120VAC to 12VDC, 60W, Class 2	1-2
PPLT00134	Non-Dim	120-277VAC to 12VDC, 60W, Class 2	1-2

For other power supply options consult factory.

PHOTOMETRIC DATA

Maximum Candela = 474.6



PHOTOMETRIC FILENAME : POLARIS_BU6978.AC.US - 3000K - 24W.IES

Job Name/Date:

Fixture Type Designation: