

# PROFILE 4.6

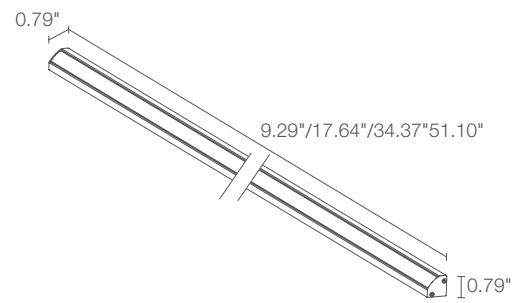
Profile is a family of linear profile fixtures that can be surface mounted using clips or brackets. It is available in white light with diffuse optics.



## TECHNICAL DATA

<b>Wattage / Input</b>	5W, 9W, 17W, 22W (24VDC)
<b>Power Supply</b>	Remote, not included. See page 2.
<b>Construction</b>	Body: Anodized Aluminum Alloy EN AW 6060 Lens: Opal Polycarbonate
<b>CCT</b>	2700K, 3000K, 4000K
<b>CRI</b>	>80
<b>Delivered Lumens</b>	255 lm (3000K, 9.29") 510 lm (3000K, 17.64") 1020 lm (3000K, 34.37") 1530 lm (3000K, 51.10")
<b>Efficacy</b>	51 lm/W (3000K, 9.29") 57 lm/W (3000K, 17.64") 60 lm/W (3000K, 34.37") 70 lm/W (3000K, 51.10")
<b>Optics</b>	Diffuse
<b>Finishes</b>	N/A
<b>Fixture Dimensions</b>	9.29"/17.64"/34.37"/51.10" l x 0.75" w x 0.51" h
<b>Fixture Weight</b>	0.34 lbs/ft
<b>LED Source</b>	30, 60, 120, 180 Mid-Power LEDs
<b>Lumen Maintenance</b>	L80, B10>50,000hrs (Ta 25°C)
<b>Color Consistency</b>	3-Step MacAdam
<b>Operating Temp.</b>	32°F to +113°F
<b>IP Rating</b>	IP40
<b>IK Rating</b>	-

Fixture Dimensions



## ORDERING INFORMATION

Example: PF46015DA. Accessories / Power Supplies ordered separately.

PF460			DA
<b>Model No.</b>	<b>Wattage / Length</b>	<b>CCT</b>	<b>Optics</b>
PF460	0 - 5W / 9.29" 1 - 9W / 17.64" 2 - 17W / 34.37" 3 - 22W / 51.10"	F - 2700K 5 - 3000K 9 - 4000K	DA - Diffuse

Job Name/Date:

Fixture Type Designation:

## SUGGESTED POWER SUPPLIES

24VDC

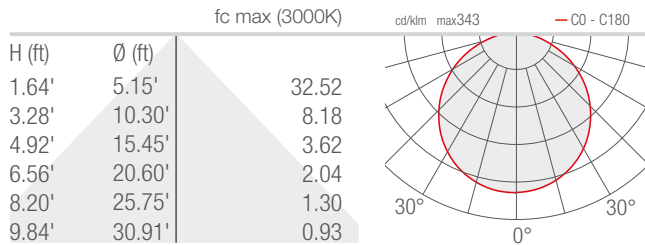
Part Number	Description	Input/Output	# of Fixtures			
			5W	9W	17W	22W
<a href="#">PPLT00275</a>	Non-Dim	120-277VAC to 24VDC, 12W, Class 2, IP66	1-1	1-1	N/A	N/A
<a href="#">PPLT00632</a>	0-10V Dimming (Dim to Off)	120-277VAC to 24VDC, 12W, Class 2	1-1	1-1	N/A	N/A
<a href="#">PPLT00481</a>	Non-Dim	120-277VAC to 24VDC, 24W, Class 2	1-3	1-2	1-1	N/A
<a href="#">PPLT00157</a>	Non-Dim	120VAC to 24VDC, 60W, Class 2	1-9	1-5	1-2	1-2
<a href="#">PPLT00599</a>	ELV / TRIAC & 0-10V Dimming (100 to 0%)	120-277VAC to 24VDC, 96W, Class 2	1-15	1-8	1-4	1-3
<a href="#">PPLT00543</a>	0-10V Dimming to 15% (-40°C / -40°F cold weather start)	120-277VAC to 24VDC, 100W, Class 2	2-16	2-8	1-4	1-3

For other power supply options consult factory.

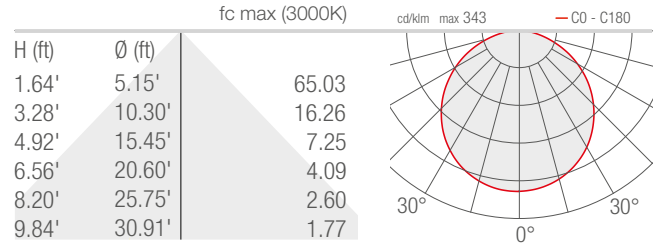
## PHOTOMETRIC DATA

Note all Photometry is 3000K

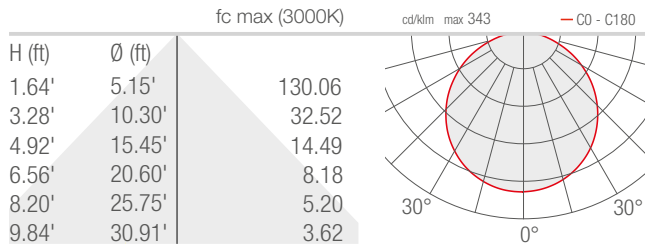
### D - Diffuse 9.29"



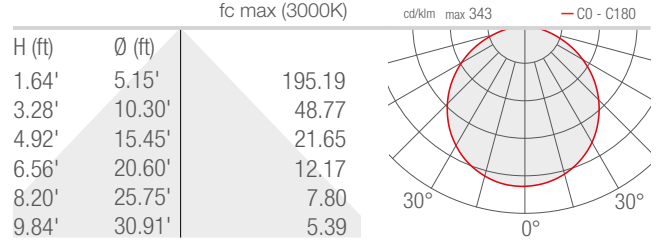
### D - Diffuse 17.64"



### D - Diffuse 34.37"



### D - Diffuse 51.10"



Job Name/Date:

Fixture Type Designation: