

QSI DOWNLIGHT

The QSI Downlight is a vandal resistant, IP65 wet label fixture that is IC and Chicago Plenum rated. It is available in white light and a 25° x 25°. **NOT** suitable for steam rooms. B.A.B.A. Complaint.



MADE IN THE U.S.A.

Fixture Dimensions
(see drawing on page 2)

TECHNICAL DATA

Wattage / Input	26W (120-277VAC or 347VAC)
Power Supply	Integral
Construction	Body: 20 Ga. Cold Rolled Steel (Powder Black Finish) Neck: Die Cast Aluminum Lens: 3/16" Thick Clear or Opal Polycarbonate
CCT	2700K, 3000K, 3500K, 4000K
CRI	>80
Delivered Lumens	2632 lm (3000K)
Efficacy	101.2 lm/W
Optics	25° x 25°
Finishes	5 Standard, plus 4 Marine Grade. See Below.
Fixture Dimensions	5.6" x 5.6" - 12.6 l x 8.06 h (see drawing on page 2)
Aperture	3.6" x 3.6"
LED Source	Xicato XIM LED Module
Lumen Maintenance	L70>50,000hrs (Ta 25°C)
Color Consistency	1x2 MacAdam Ellipse (1x2 SDCM)
IP Rating	IP65

ORDERING INFORMATION

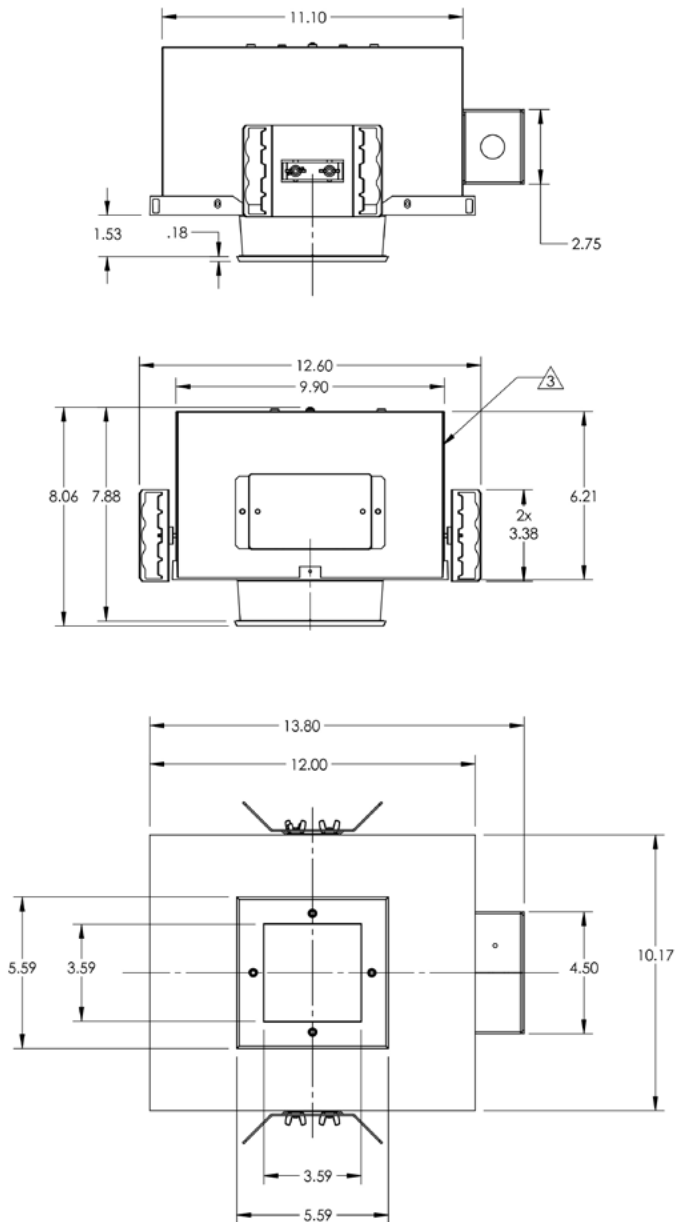
Example: QSI-BABA-40-25-4-11-C-C-0.

QSI-BABA	-		-	25	-		-		-		-		-	
Model #	CCT	Optics	Body	Finish	Lens	Dimming	Options							
QSI-BABA	27 - 2700K 30 - 3000K 35 - 3500K 40 - 4000K	25 - 25°x25°	4 - Fully Recessed IC Rated C - Fully Recessed Chicago Plenum V - Concrete Pour	11 - White Suede 02 - Black Suede 18 - Tex. Bronze TS - Silver <i>Add prefix "M" to above colors for Marine Grade Clear Overcoat</i> PN - Polished Nickel <i>Marine Grade Clear Overcoat NOT available on Polished Nickel</i>	C - Clear X - Opal R - Assym Spread	C - Integral 120-277VAC 0-10V Dimming 2 - 347VAC w/ 0-10V Dimming	0 - None 4 - One Circuit Fusing 8 - Special Screws (Please specify) Q - Honeycomb Louver							

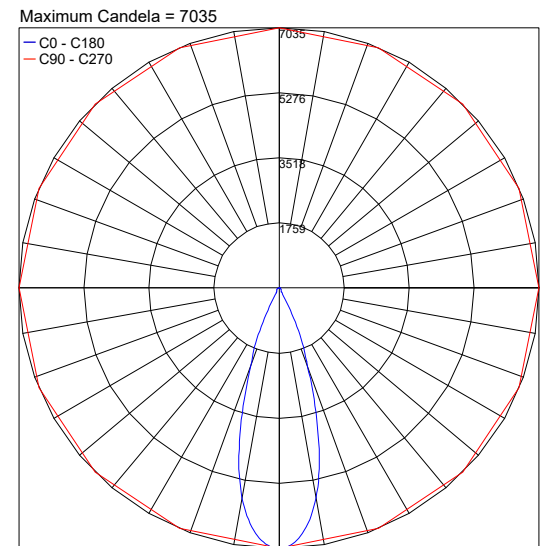
Job Name/Date:

Fixture Type Designation:

FIXTURE DIMENSIONS



PHOTOMETRIC DATA



PHOTOMETRIC FILENAME : QSI 3000K 25°X25° IC-RATED (LLIA001367-003A).IES

Job Name/Date:

Fixture Type Designation: