

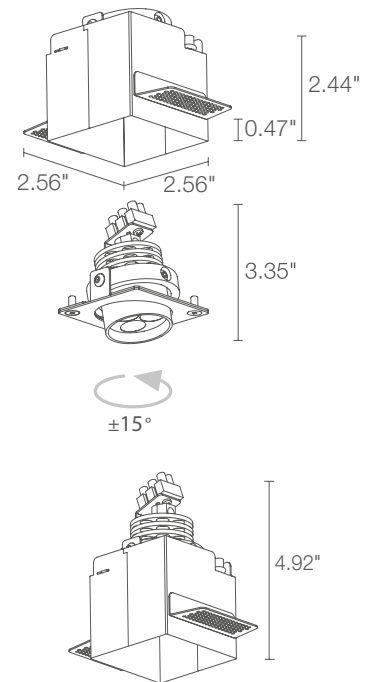
QUAD 6.1

Quad is a family of recessed downlights for indoor use. It is available in various combinations: flush or deep-set, fixed or adjustable optics, white or RGB light, installation on solid walls or plasterboard, with or without a frame.



Cutout Dimensions for ceiling/wall installations = 2.56" x 2.56"

Fixture Dimensions



TECHNICAL DATA

Wattage / Input	6W (500mA)
Power Supply	Remote, not included. See page 2.
Construction	Body: Anodized Aluminum Alloy EN AW 6082 Trim: Steel
CCT	2700K, 3000K, 4000K, 5000K, Blue, RGB
CRI	>80
Delivered Lumens	336 lm (3000K, 24°) 210 lm: (R) 77 lm, (G) 100 lm, (B) 33 lm (24°)
Efficacy	56 lm/W (3000K, 24°) 35 lm/W (RGB, 24°)
Optics	12°, 24°, 56° (tiltable ± 15°)
Finishes	White, Black, Custom RAL (see below)
Fixture Dimensions	2.56" l x 2.56" w x 4.92" h
Fixture Weight	0.66 lbs
LED Source	3 Power LEDs
Lumen Maintenance	L90, B10 >50,000hrs (Ta 25°C)
Color Consistency	1/4 ANSI BIN
Operating Temp.	32°F to +113°F
IP Rating	IP40

OUTER CASING REQUIRED

ORDERING INFORMATION

Example: QD61325MB. Accessories / Power Supplies ordered separately.

QD6132			
Model No.	CCT	Optics	Finish
QD6132	F - 2700K 5 - 3000K 9 - 4000K 0 - 5000K 1 - Blue 6 - RGB	S - 12° tiltable ± 15° M - 24° tiltable ± 15° L - 56° tiltable ± 15°	B - White N - Black C - Custom RAL (Consult factory for "C")

Job Name/Date:

Fixture Type Designation:

SUGGESTED POWER SUPPLIES

500mA

Part Number	Description	Input/Output	# of Fixtures
PPLT00154	0-10V Dimming to 10%	120-277VAC to 500mA, 12W, Class 2	2-2
PPLT00465-P	0-10V Dimming to 1.0%	120-277VAC to 500mA, 20W, Class 2	1-3
PPLT00467-P	0-10V Dimming to 1.0%	120-277VAC to 500mA, 50W, Class 2	1-5
PPLT00538-P	0-10V Dimming to 0.1%	120-277VAC to 500mA, 100W, Class 2	1-16

Suggested Lutron Compatible

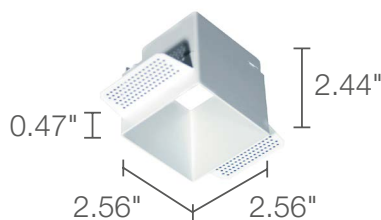
Part Number	Option	Lutron SKU	Dim Range	Description	Input/Output	# of Fixtures
PPLT00195	L3DAE / L3DA3W	L3DA	100%-1%	Hi-Lume™ 1% EcoSystem™ or 1% 3-Wire LED Driver	120-277VAC to 500mA , 19W, Class 2	2-3
PPLT00180	L3DAE / L3DA3W	L3DA	100%-1%	Hi-Lume™ 1% EcoSystem™ or 1% 3-Wire LED Driver	120-277VAC to 500mA , 27W, Class 2	4-4

500mA - RGB

Part Number	Description	Input/Output	# of Fixtures
PPLT00244-P	DMX / RDM (Must advise DMX addresses if not using RDM)	120-277VAC to 500mA, 50W, Class 2	1-6
PPLT00129-P	DMX / RDM (Field Addressable)	120-277VAC to 500mA, 100W, Class 2	1-12

For other power supply options consult factory.

ACCESSORIES - Installation



WC2001
Outer Casing (**REQUIRED**)
For plasterboard

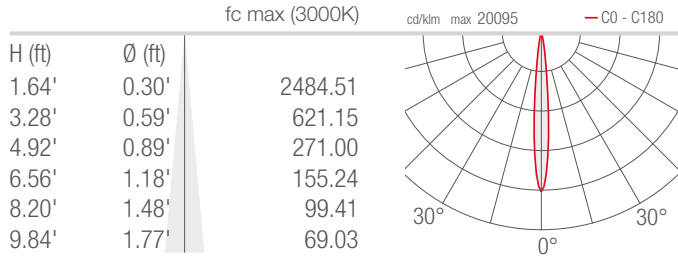
Job Name/Date:

Fixture Type Designation:

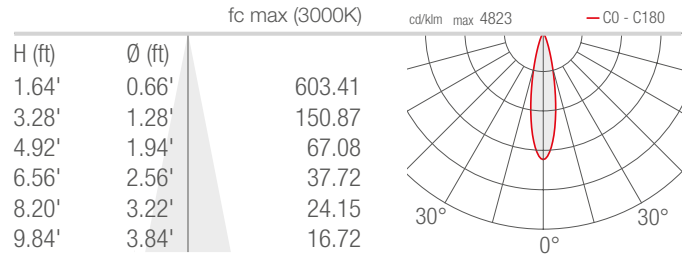
PHOTOMETRIC DATA

Note all Photometry is 3000K

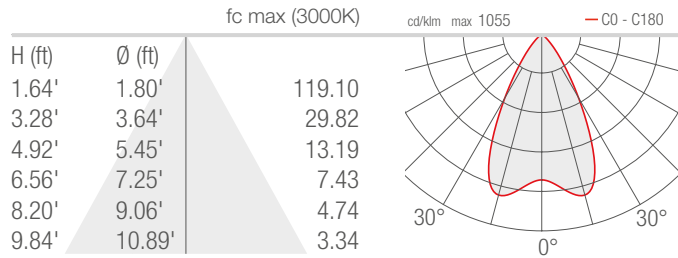
S - 12°



M - 24°



L - 56°



Job Name/Date:

Fixture Type Designation: