

Quay is a round LED wall mounted luminaire with a protection rating of IP55. It is available in 3 color temperatures and 5 standard finishes.



MADE IN THE U.S.A.

Fixture Dimensions
See Drawing on page 2.

TECHNICAL DATA

Wattage / Input	30W (120-277VAC)
Power Supply	Integral 0-10V Dimming
Construction	Body: Low Copper Alloy Cast Aluminum Lens: UV Stabilized Polycarbonate
CCT	3000K, 4000K, 5000K
Finishes	5 Standard, Custom RAL. See Below.
Fixture Dimensions	Ø11.88" x 8.0"
Fixture Weight	-
IP Rating	IP55

ORDERING INFORMATION

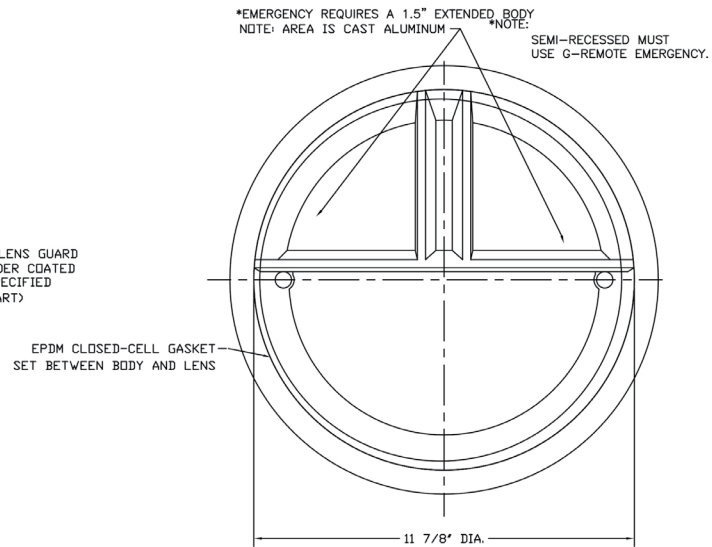
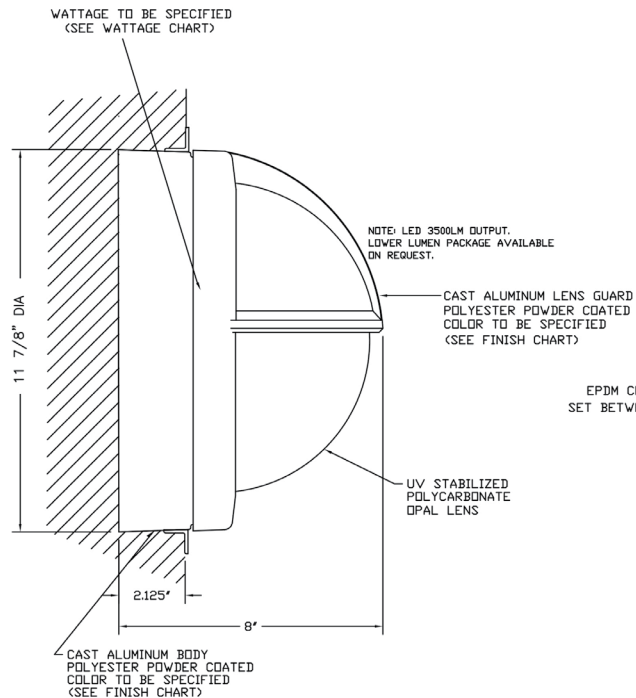
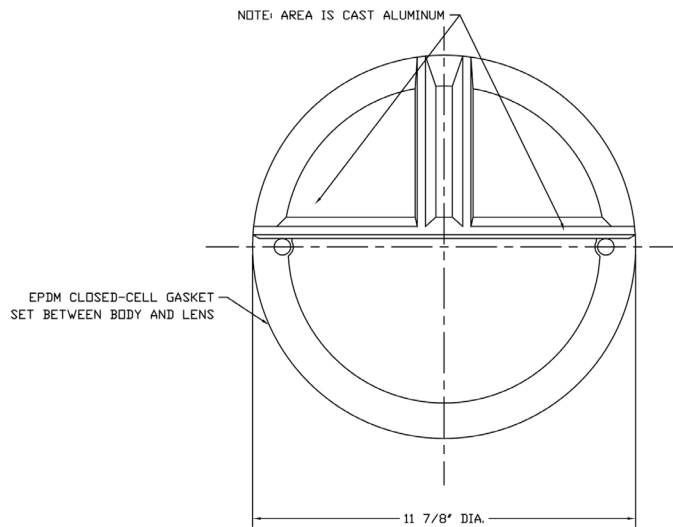
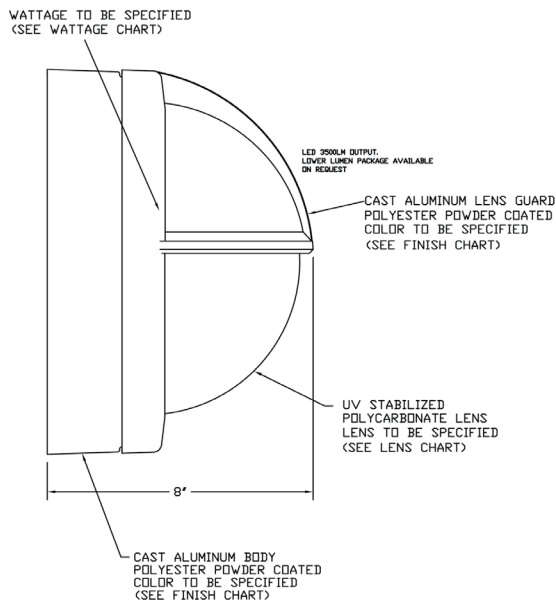
Example: **QUY-L-FL-1-03-1-C-X-0**.

QUY-L	-		-		-	1	-	C	-	X	-	
Model #	Wattage / CCT	Body	Finish	Grill/Face	Driver	Lens	Options					
QUY-L	FL - 30W, 3000K FM - 30W, 4000K FN - 30W, 5000K	1 - Surface Mount No Conduit Entries 0 - Surface Mount No Conduit Entries 2 - Semi Recessed	11 - White Suede 02 - Black Suede 03 - Gray TS - Silver 18 - Tex. Bronze 99 - Custom	1 - Standard	C - 120-277VAC 0-10V Integral	X - Opal Polycarbonate	0 - None 1 - Integral EM Pack					

Job Name/Date:

Fixture Type Designation:

FIXTURE DIMENSIONS



Job Name/Date:

Fixture Type Designation: