

Quay is a round LED wall mounted luminaire with a protection rating of IP55. It is available in 3 color temperatures and 5 standard finishes.



**MADE IN THE U.S.A.**

Fixture Dimensions  
See Drawing on page 2.

## TECHNICAL DATA

<b>Wattage / Input</b>	30W (120-277VAC)
<b>Power Supply</b>	Integral 0-10V Dimming
<b>Construction</b>	Body: Low Copper Alloy Cast Aluminum Lens: UV Stabilized Polycarbonate
<b>CCT</b>	3000K, 4000K, 5000K
<b>Finishes</b>	5 Standard, Custom RAL. See Below.
<b>Fixture Dimensions</b>	Ø11.88" x 8.0"
<b>Fixture Weight</b>	-
<b>IP Rating</b>	IP55

## ORDERING INFORMATION

Example: **QUY-L-FL-1-03-1-C-X-0**.

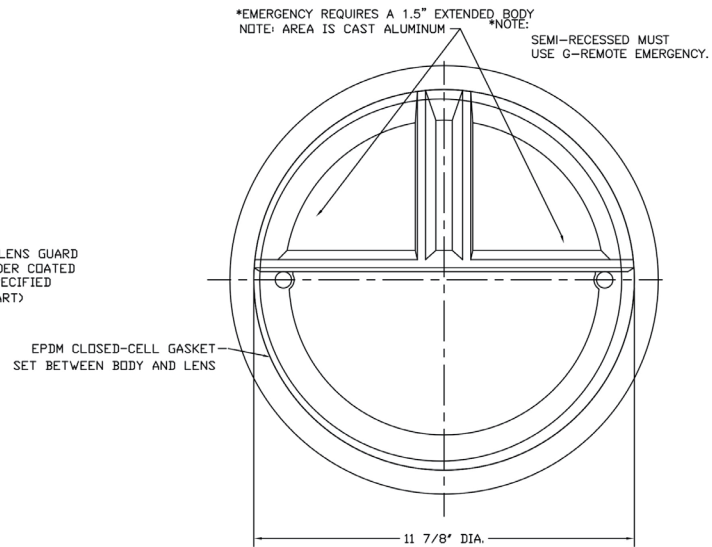
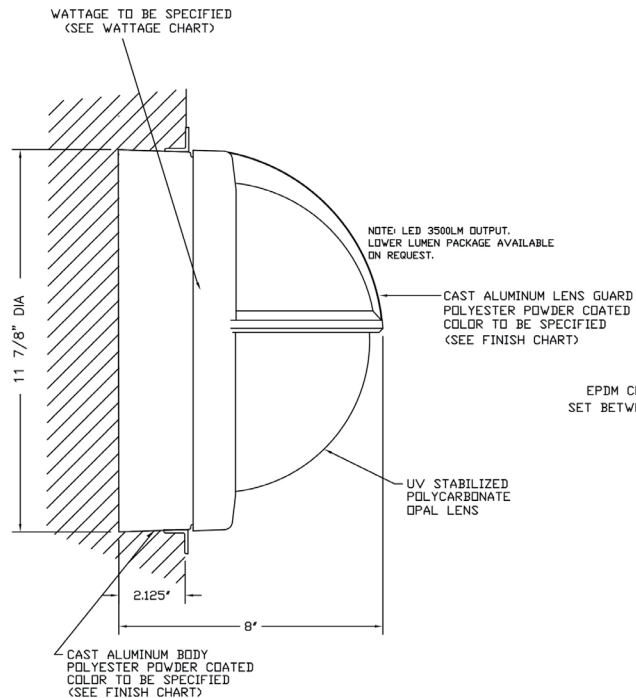
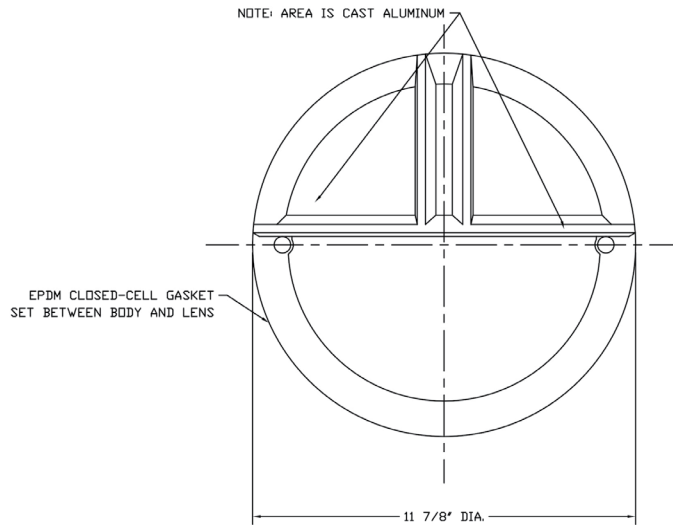
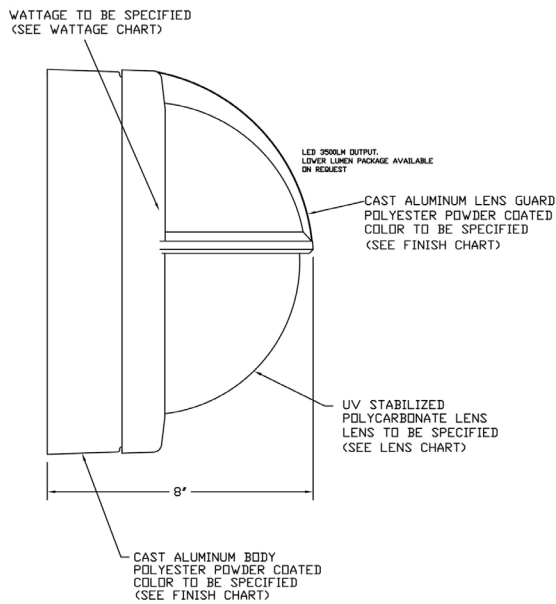
QUY-L	-		-		-	1	-	C	-	X	-	0
-------	---	--	---	--	---	---	---	---	---	---	---	---

Model #	Wattage / CCT	Body	Finish	Grill/Face	Driver	Lens	Options
QUY-L	FL - 30W, 3000K FM - 30W, 4000K FN - 30W, 5000K	1 - Surface Mount No Conduit Entries  0 - Surface Mount No Conduit Entries  2 - Semi Recessed	11 - White Suede 02 - Black Suede  03 - Gray TS - Silver 18 - Tex. Bronze 99 - Custom	1 - Standard	C - 120-277VAC 0-10V Integral	X - Opal Polycarbonate	0 - None

Job Name/Date:

Fixture Type Designation:

**FIXTURE DIMENSIONS**



Job Name/Date:

Fixture Type Designation: