

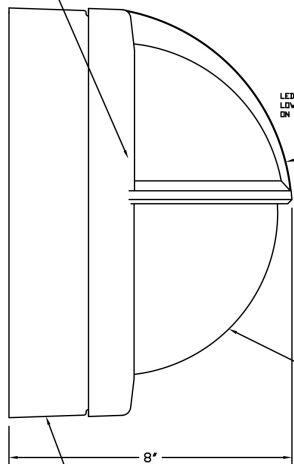


design: richard klapper

- Low copper alloy cast aluminum body
- UV stabilized polycarbonate lens
- Low copper alloy cast aluminum grill
- CSA listed wet label IP55

# quay

WATTAGE TO BE SPECIFIED  
(SEE WATTAGE CHART)



LED 3500LM OUTPUT,  
LOWER LUMEN PACKAGE AVAILABLE  
ON REQUEST

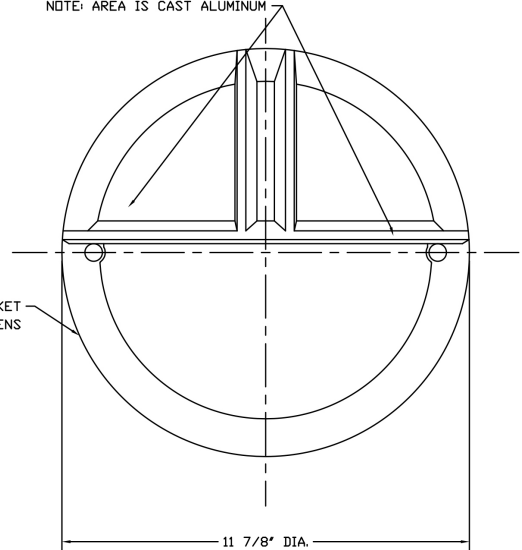
CAST ALUMINUM LENS GUARD  
POLYESTER POWDER COATED  
COLOR TO BE SPECIFIED  
(SEE FINISH CHART)

UV STABILIZED  
POLYCARBONATE LENS  
LENS TO BE SPECIFIED  
(SEE LENS CHART)

CAST ALUMINUM BODY  
POLYESTER POWDER COATED  
COLOR TO BE SPECIFIED  
(SEE FINISH CHART)

8"

NOTE: AREA IS CAST ALUMINUM



EPDM CLOSED-CELL GASKET  
SET BETWEEN BODY AND LENS

11 7/8" DIA.