

QUBO MAXI RGBW

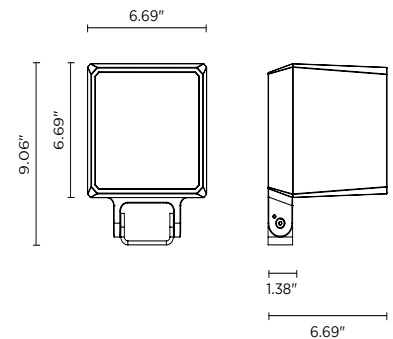
The Qubo Maxi RGBW is an outdoor LED floodlight suitable for installation on a façade/wall, with U shape fixing bracket allowing vertical adjustment of +90° / -40°. It has a DMX interface and comes in 3 standard finishes and 3 optics options.



TECHNICAL DATA

Wattage / Input	28W (24VDC)
Power Supply	Remote driver with DMX integrated into fixture See page 2 for remote power supplies
Construction	Body: Die-Cast Copper-Free Aluminum Screws: Stainless Steel Lens: Tempered, Safety Glass Cable Length: 3.28" included
CCT	RGBW - DMX Control Built Into Fixture
CRI	>80
Lumen Output	992 lm (25°)
Efficacy	35.4 lm/W (25°)
Optics	3 Standard (see below)
Finishes	3 Standard, Custom RAL (see below)
Fixture Dimensions	6.69" l x 6.69" w x 9.06" h
Fixture Weight	9.92 lbs
LED Source	6 CREE "XML" COLOR RGBW LED
IP Rating	IP66
Impact Rating	IK10

Fixture Dimensions



ORDERING INFORMATION

Example: 101607RGBWP-12-TG. Power Supplies / Accessories ordered separately.

101607RGBWP	-		-	
Model No.	Optics	Finish		
101607RGBWP	12 - 12° 25 - 25° 35 - 35°	TG - Textured Grey (RAL 9006) AG - Anthracite Grey (RAL 7016) MB - Matte Black (on request)		

Job Name/Date:

Fixture Type Designation:

SUGGESTED POWER SUPPLIES

24VDC

Part Number	Description	Input/Output	# of Fixtures
PPLT00132	Non-Dim	120VAC to 24VDC, 88W, Class 2	1-2

For other power supply options consult factory.

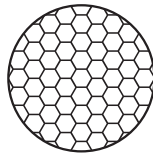
ACCESSORIES

Installation



AC044
Ground Spike

Anti-Glare



AC074
Honeycomb Louvrer



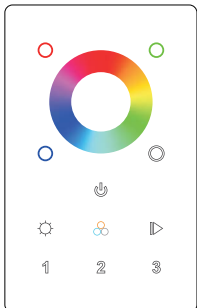
AC038
Tree Strap
for Ring Series



AC078
Anti-Glare Visor

ACCESSORIES

Controllers (RGBW)



[PPWD00570](#) - RGBW DMX512+Wifi Controller

Touch Sensitive

Can be controlled by WiFi

Controls 3 zones synchronously and separately

PHOTOMETRIC DATA

Coming Soon

Job Name/Date:

Fixture Type Designation: