

QUBO MICRO HP

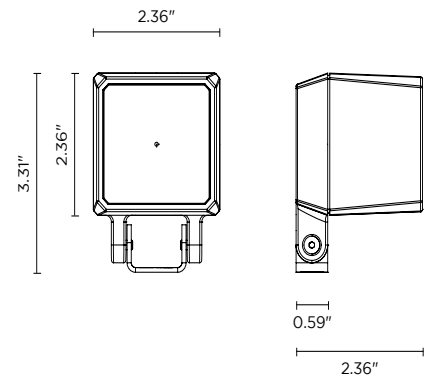
The Qubo Micro HP is a square, outdoor LED floodlight suitable for installation on a façade/wall with a U-shaped fixing bracket allowing vertical adjustment of +90° / -40°. It has 3 standard finishes and 3 optics options.



TECHNICAL DATA

Wattage / Input	6W (24VDC)
Power Supply	Remote, not included. See page 2.
Construction	Body: Die-Cast Copper-Free Aluminum Screws: Stainless Steel Lens: Tempered, Safety Glass Cable Length: 3.28" included
CCT	3000K, 4000K
CRI	>80
Lumen Output	489 lm (3000K, 10°)
Efficacy	81.5 lm/W (3000K, 10°)
Optics	3 Standard (see below)
Finishes	3 Standard, Custom RAL (see below)
Fixture Dimensions	2.36" l x 2.36" w x 3.31" h
Fixture Weight	1.54 lbs
LED Source	1 x CREE "XHP35" LED
IP Rating	IP66
Impact Rating	IK10

Fixture Dimensions



ORDERING INFORMATION

Example: 101601P-30K-10-TG. Accessories / Power Supplies ordered separately.

101601P	-		-		-	
Model No.	CCT	Optics	Finish			
101601P	30K - 3000K	04 - 4°	TG - Textured Grey (RAL 9006)			
	40K - 4000K	10 - 10°	AG - Anthracite Grey (RAL 7016)			
		28 - 28°	MB - Matte Black (on request)			

Job Name/Date:

Fixture Type Designation:

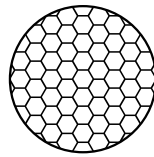
ACCESSORIES

Installation



AC044
Ground Spike

Anti-Glare



AC071
Honeycomb Louver



AC075
Anti-Glare Visor



AC038
Tree Strap
for Ring Series

SUGGESTED POWER SUPPLIES

24VDC

Part Number	Description	Input/Output	# of Fixtures
PPLT00632	0-10V Dimming (Dim to OFF)	120-277VAC to 24VDC, 12W, Class 2	1-1
PPLT00155	Non-Dim	120VAC to 24VDC, 30W, Class 2	1-4
PPLT00586	Non-Dim	120-277VAC to 24VDC, 40W, Class 2	1-5
PPLT00709	ELV/TRIAC & 0-10V Dimming to 5% and OFF	120-277VAC to 24VDC, 96W, Class 2, DAMP	1-12
PPLT00543	0-10V Dimming to 15% (-40°C / -40°F cold weather start)	120-277VAC to 24VDC, 100W, Class 2	2-13

Suggested Lutron Compatible

Part Number	Option	Lutron SKU	Dim Range	Description	Input/Output	# of Fixtures
PPLT00273	L3DAE / L3DA3W	L3DA	100%-1%	Hi-Lume™ 1% EcoSystem™ or 1% 3-Wire LED Driver	120-277VAC to 24VDC, 40W, Class 2	1-5
PPLT00530	L3D0	L3D0	100%-0.1%	Hi-Lume™ Premier 0.1% or Ecosystem 3-Wire LED Driver	120-277VAC to 24VDC, 96W, Class 2	1-12

For other power supply options consult factory.

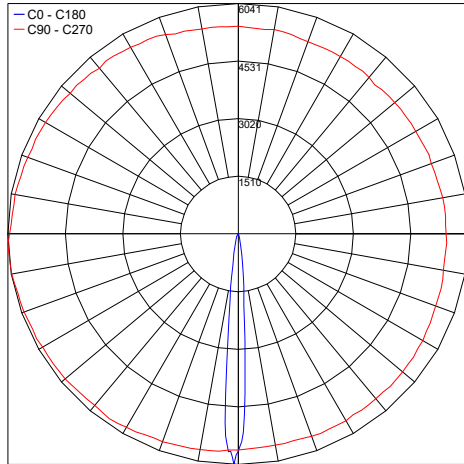
Job Name/Date:

Fixture Type Designation:

PHOTOMETRIC DATA

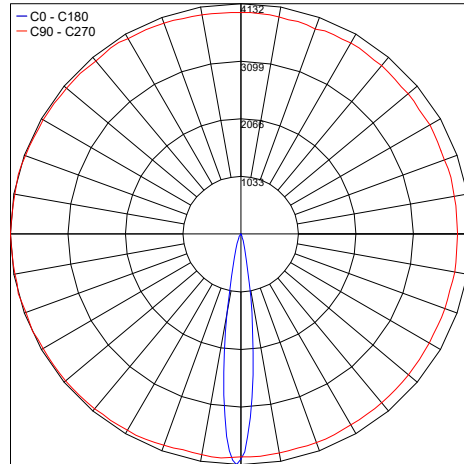
Note: All photometry is 3000K

Maximum Candela = 6040.7



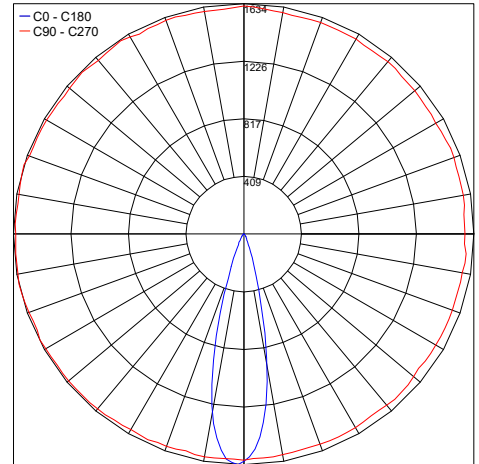
PHOTOMETRIC FILENAME : QUBO MICRO HP 3000K 4° 6W 101601P.IES

Maximum Candela = 4132.4



PHOTOMETRIC FILENAME : QUBO MICRO HP 3000K 10° 6W 101601P.IES

Maximum Candela = 1634.1



PHOTOMETRIC FILENAME : QUBO MICRO HP 3000K 28° 6W 101601P.IES

Job Name/Date:

Fixture Type Designation: