

QUBO MINI COB

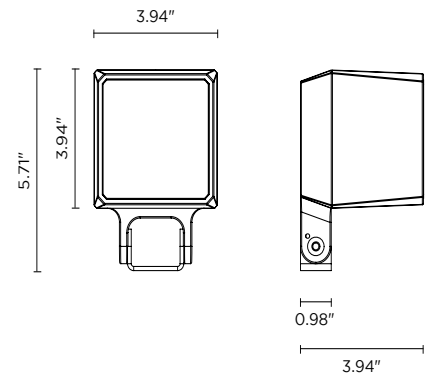
The Qubo Mini COB is a square, outdoor LED floodlight suitable for installation on a façade/wall with a U-shaped fixing bracket allowing vertical adjustment of +90° / -40°. It has 3 standard finishes and 3 optics options.



TECHNICAL DATA

Wattage / Input	10W (120VAC)
Power Supply	Integral 0-10V Dimming
Construction	Body: Die-Cast Copper-Free Aluminum Screws: Stainless Steel Lens: Tempered, Safety Glass Cable Length: 3.28" included
CCT	3000K, 4000K
CRI	>80
Lumen Output	1060 lm (3000K, 35°)
Efficacy	113.3 lm/W (3000K, 35°)
Optics	3 Standard (see below)
Finishes	3 Standard, Custom RAL (see below)
Fixture Dimensions	3.94" l x 3.94" w x 5.71" h
Fixture Weight	2.87 lbs
LED Source	1 x COB CREE "CXB 1310" LED
IP Rating	IP66
Impact Rating	IK10

Fixture Dimensions



ORDERING INFORMATION

Example: 101602P-30K-14-TG. Accessories ordered separately.

101602P	-		-		-	
Model No.	CCT	Optics	Finish			
101602P	30K - 3000K	14 - 14°	TG - Textured Grey (RAL 9006)			
	40K - 4000K	35 - 35°	AG - Anthracite Grey (RAL 7016)			
		55 - 55°	MB - Matte Black (on request)			

Job Name/Date:

Fixture Type Designation:

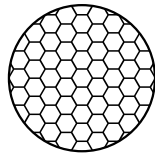
ACCESSORIES

Installation



AC044
Ground Spike

Anti-Glare



AC072
Honeycomb Louver



AC076
Anti-Glare Visor

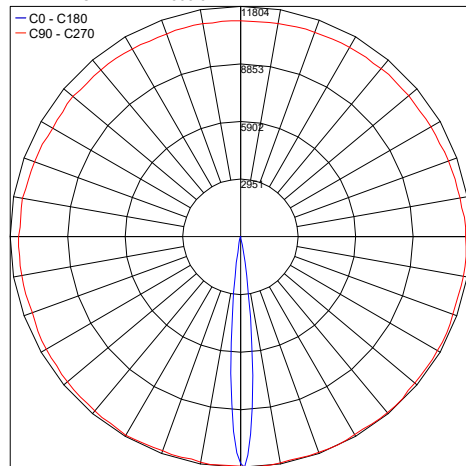


AC038
Tree Strap
for Ring Series

PHOTOMETRIC DATA

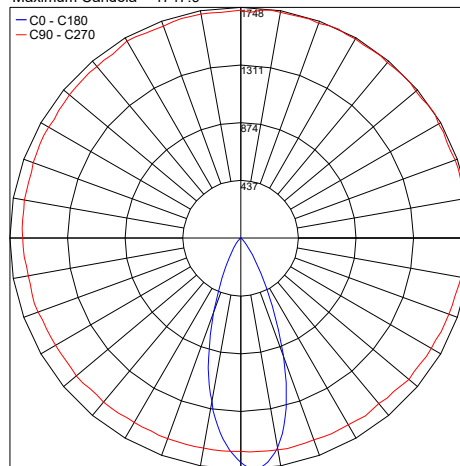
Note: All photometry is 3000K

Maximum Candela = 11803.5



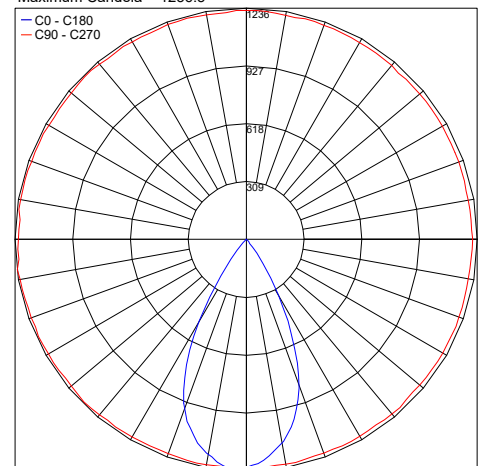
PHOTOMETRIC FILENAME : QUBO MINI COB 3000K 14° 101602PIES

Maximum Candela = 1747.9



PHOTOMETRIC FILENAME : QUBO MINI COB 3000K 35° 101602PIES

Maximum Candela = 1236.5



PHOTOMETRIC FILENAME : QUBO MINI COB 3000K 55° 101602PIES

Job Name/Date:

Fixture Type Designation: