

QUBO MINI RGBW

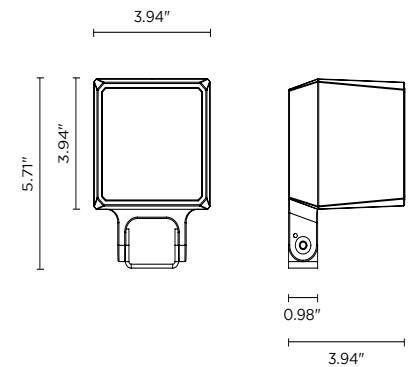
The Qubo Mini RGBW is an outdoor LED floodlight suitable for installation on a façade/wall, with U shape fixing bracket allowing vertical adjustment of +90° / -40°. It has a DMX interface and comes in 3 standard finishes and 3 optics options.



TECHNICAL DATA

| | |
|---------------------------|--|
| Wattage / Input | 4.5W (24VDC) |
| Power Supply | Remote driver with DMX integrated into fixture See page 2 for remote power supplies |
| Construction | Body: Die-Cast Copper-Free Aluminum Screws: Stainless Steel Lens: Tempered, Safety Glass Cable Length: 3.28" included |
| CCT | RGBW - DMX Control Built Into Fixture |
| CRI | >80 |
| Lumen Output | 152 lm (25°) |
| Efficacy | 33.8 lm/W (25°) |
| Optics | 3 Standard (see below) |
| Finishes | 3 Standard, Custom RAL (see below) |
| Fixture Dimensions | 3.94" l x 3.94" w x 5.71" h |
| Fixture Weight | 2.87 lbs |
| LED Source | 1 x CREE "XML" COLOR RGBW LED |
| IP Rating | IP66 |
| Impact Rating | IK10 |

Fixture Dimensions



ORDERING INFORMATION

Example: 101605RGBWP-12-TG. Power Supplies / Accessories ordered separately.

| | | | | |
|-------------|---|--|---|--|
| 101605RGBWP | - | | - | |
|-------------|---|--|---|--|

| Model No. | Optics | Finish |
|-------------|----------|---------------------------------|
| 101605RGBWP | 12 - 12° | TG - Textured Grey (RAL 9006) |
| | 25 - 25° | AG - Anthracite Grey (RAL 7016) |
| | 35 - 35° | MB - Matte Black (on request) |

Job Name/Date:

Fixture Type Designation:

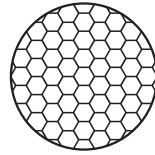
ACCESSORIES

Installation



AC044
Ground Spike

Anti-Glare



AC072
Honeycomb Louvrer



AC038
Tree Strap
for Ring Series



AC076
Anti-Glare Visor

SUGGESTED POWER SUPPLIES

24VDC

| Part Number | Description | Input/Output | # of Fixtures |
|---------------------------|-------------|---|---------------|
| PPLT00132 | Non-Dim | 120/277VAC to 24VDC, 88W, Class 2, IP65 | 1-15 |

For other power supply options consult factory.

PHOTOMETRIC DATA

Coming Soon

Job Name/Date:

Fixture Type Designation: