

# QUBO MINI RGBW

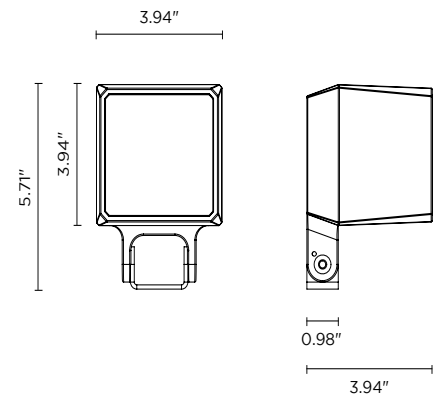
The Qubo Mini RGBW is an outdoor LED floodlight suitable for installation on a façade/wall, with U shape fixing bracket allowing vertical adjustment of +90° / -40°. It has a DMX interface and comes in 3 standard finishes and 3 optics options.



## TECHNICAL DATA

<b>Wattage / Input</b>	4.5W (24VDC)
<b>Power Supply</b>	Remote driver with DMX integrated into fixture See page 2 for remote power supplies
<b>Construction</b>	Body: Die-Cast Copper-Free Aluminum Screws: Stainless Steel Lens: Tempered, Safety Glass Cable Length: 3.28" included
<b>CCT</b>	RGBW - DMX Control Built Into Fixture
<b>CRI</b>	>80
<b>Lumen Output</b>	152 lm (25°)
<b>Efficacy</b>	33.8 lm/W (25°)
<b>Optics</b>	3 Standard (see below)
<b>Finishes</b>	3 Standard, Custom RAL (see below)
<b>Fixture Dimensions</b>	3.94" l x 3.94" w x 5.71" h
<b>Fixture Weight</b>	2.87 lbs
<b>LED Source</b>	1 x CREE "XML" COLOR RGBW LED
<b>IP Rating</b>	IP66
<b>Impact Rating</b>	IK10

Fixture Dimensions



## ORDERING INFORMATION

Example: 101605RGBWP-12-TG. Power Supplies / Accessories ordered separately.

101605RGBWP	-		-	
Model No.	Optics	Finish		
101605RGBWP	12 - 12° 25 - 25° 35 - 35°	TG - Textured Grey (RAL 9006) AG - Anthracite Grey (RAL 7016) MB - Matte Black (on request)		

Job Name/Date:

Fixture Type Designation:

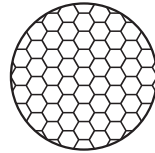
## ACCESSORIES

### Installation



**AC044**  
Ground Spike

### Anti-Glare



**AC072**  
Honeycomb Louvrer



**AC038**  
Tree Strap  
for Ring Series



**AC076**  
Anti-Glare Visor

## SUGGESTED POWER SUPPLIES

24VDC

Part Number	Description	Input/Output	# of Fixtures
<a href="#">PPLT00132</a>	Non-Dim	120277VAC to 24VDC, 88W, Class 2, IP65	1-15

*For other power supply options consult factory.*

## PHOTOMETRIC DATA

*Coming Soon*

*Job Name/Date:*

*Fixture Type Designation:*