

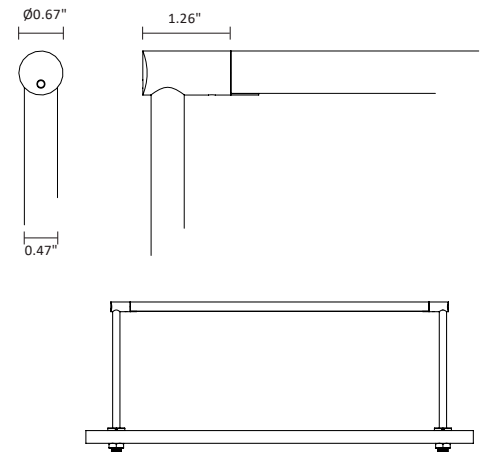
R-SL-16-T is an LED light bar (24VDC) with a profile of Ø0.67", for installation on a table with spotlights (C1-mini-R-SL - 12VDC). It is rotatable 360°, and available in 3 static color temperatures or tunable white and 3 standard finishes. **C1-mini-R-SL Spotlight sold separately.**



## TECHNICAL DATA

<b>Wattage / Input</b>	15W per meter (3.28') (24VDC)
<b>Power Supply</b>	Remote - See page 3
<b>Construction</b>	Body: Anodized Aluminum
<b>CCT</b>	2700K, 3000K, 4000K Tunable White (2700K-6500K)
<b>CRI</b>	>96
<b>Delivered Lumens</b>	900 lm (3000K, 50°)
<b>Efficacy</b>	60 lm/W (3000K, 50°)
<b>Optics</b>	Linear 22°, 35°, 50°, 55° beam angle 240 LEDs/m (smallest separable unit 0.98")
<b>Finishes</b>	3 Standard, See Below
<b>Fixture Dimensions</b>	Ø0.67" x length - pole diameter 0.47" Max. profile length 78.74", from 78.74" with connector, individual cut from 3.94" to 78.74" Center support recommended from 47.24"   Standard extension max. 17.32" (max. visible length 15.75") - can be shortened on request Additional height adjustable via flange Panel thickness 0.08" - 0.91" Borehole Ø 0.65"
<b>Lumen Maintenance</b>	L80,B10 >50,000hrs
<b>IP Rating</b>	IP20

Fixture Dimensions



## ORDERING INFORMATION

Example: R-SL-16-T-15-40-50-B-120. Accessories / Power Supplies / Spotlights ordered separately.

	- 15		-		-	
Model No.	Wattage	CCT	Optics	Finish	Length	
R-SL-16-T <i>with LED strip</i>	15 - 15W / m	27 - 2700K 30 - 3000K 40 - 4000K TW - Tunable White (2700K-6500K)	22 - 22° 35 - 35° 50 - 50° 55 - 55°	B - Anodized Black S - Silver G - Gold C - Custom RAL <i>(consult factory for "C")</i>	xx - increments of 10 cm starting at 20 cm (7.87") maximum 350 cm (137.80")	
R-SL-16-TX <i>without LED strip</i>						

Job Name/Date:

Fixture Type Designation:

## ACCESSORIES



Anti-glare Profile



Light Diffusion Foil

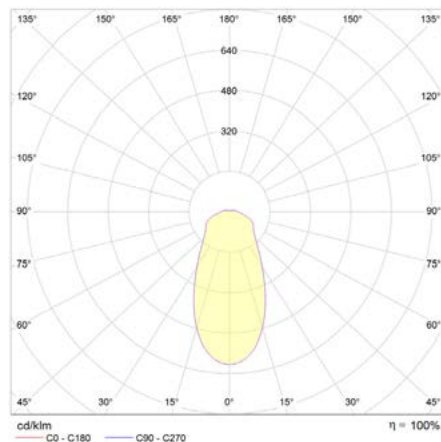
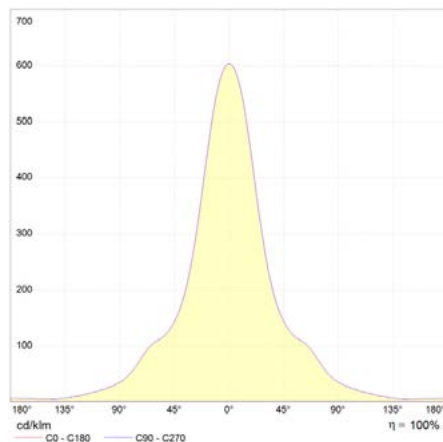


C1-mini-R-SL Spotlight  
(sold separately)

- A500100**      Splitter, 1 connection, for track and bar
- A500101**      Splitter, 2 connections, for track and bar
- A500102**      Splitter, 3-4 connections, for track and bar
- A500103**      Splitter, 5-7 connections, for track and bar
- A500104**      Splitter, 8-10 connections, for track and bar
- A500105**      Splitter, 11-13 connections, for track and bar
- A500106**      Splitter, 14-16 connections, for track and bar
- A500107**      Splitter, 17-19 connections, for track and bar

## PHOTOMETRIC DATA

for light color ~3,000 K | linear optics ~50° | color rendering index typ. 97, R9 > 90, R12 > 90 | color variation ≤ 3 SDCM



Job Name/Date:

Fixture Type Designation:

## SUGGESTED POWER SUPPLIES for Light Bar

24VDC - for the R-SL-16-T LED light bar - C1-mini-R-SL spotlight needs separate power supply

Part Number	Description	Input/Output	# of Fixtures
<a href="#">PPLT00056</a>	Non-Dim	120-277VAC to 24VDC, 26W, Class 2, IP66	1-1
<a href="#">PPLT00586</a>	Non-Dim	120VAC to 24VDC, 40W, Class 2	1-2
<a href="#">PPLT00157</a>	Non-Dim	120VAC to 24VDC, 60W, Class 2	1-3
<a href="#">PPLT00627</a>	ELV / TRIAC & 0-10V Dimming (100 to 0%)	120-277VAC to 24VDC, 96W, Class 2	1-5
<a href="#">PPLT00543</a>	0-10V Dimming (to 15%) (-40°C / -40°F cold weather start)	120-277VAC to 24VDC, 100W, Class 2	1-5

For other power supply options consult factory.

See C1-Mini-R-SI Datasheet for  
Suggested Power Supplies for Fixture

Job Name/Date:

Fixture Type Designation: