

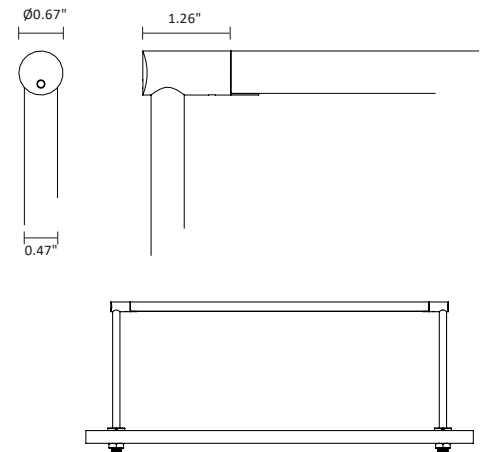
R-SL-16-T is an LED light bar (24VDC) with a profile of Ø0.67", for installation on a table with spotlights (C1-mini-R-SL - 12VDC). It is rotatable 360°, and available in 3 static color temperatures or tunable white and 3 standard finishes. **C1-mini-R-SL Spotlight sold separately.**



## TECHNICAL DATA

|                           |   |
|---------------------------|---|
| <b>Wattage / Input</b>    | 15W per meter (3.28') (24VDC)   |
| <b>Power Supply</b>       | Remote - See page 3   |
| <b>Construction</b>       | Body: Anodized Aluminum   |
| <b>CCT</b>                | 2700K, 3000K, 4000K<br>Tunable White (2700K-6500K)  |
| <b>CRI</b>                | >96   |
| <b>Delivered Lumens</b>   | 900 lm (3000K, 50°)   |
| <b>Efficacy</b>           | 60 lm/W (3000K, 50°)  |
| <b>Optics</b>             | Linear 22°, 35°, 50°, 55° beam angle<br>240 LEDs/m (smallest separable unit 0.98")  |
| <b>Finishes</b>           | 3 Standard, See Below   |
| <b>Fixture Dimensions</b> | Ø0.67" x length - pole diameter 0.47"<br>Max. profile length 78.74", from 78.74" with connector, individual cut from 3.94" to 78.74"<br>Center support recommended from 47.24"  <br>Standard extension max. 17.32" (max. visible length 15.75") - can be shortened on request<br>Additional height adjustable via flange<br>Panel thickness 0.08" - 0.91"<br>Borehole Ø 0.65" |
| <b>Lumen Maintenance</b>  | L80,B10 >50,000hrs  |
| <b>IP Rating</b>          | IP20  |

Fixture Dimensions



## ORDERING INFORMATION

Example: R-SL-16-T-15-40-50-B-120. Accessories / Power Supplies / Spotlights ordered separately.

|  | - 15         |   | -  |  | -   |  |
|--|--------------|---|--|--|---|--|
| Model No.                              | Wattage      | CCT   | Optics                                       | Finish   | Length  |  |
| R-SL-16-T<br><i>with LED strip</i>     | 15 - 15W / m | 27 - 2700K<br>30 - 3000K<br>40 - 4000K<br>TW - Tunable White<br>(2700K-6500K) | 22 - 22°<br>35 - 35°<br>50 - 50°<br>55 - 55° | B - Anodized Black<br>S - Silver<br>G - Gold<br>C - Custom RAL<br><i>(consult factory for "C")</i> | xx - increments of 10 cm<br>starting at 20 cm (7.87")<br>maximum 350 cm (137.80") |  |
| R-SL-16-TX<br><i>without LED strip</i> |              |   |  |  |   |  |

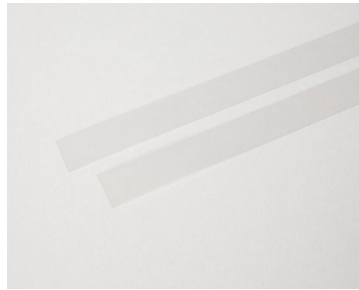
Job Name/Date:

Fixture Type Designation:

## ACCESSORIES



Anti-glare Profile



Light Diffusion Foil

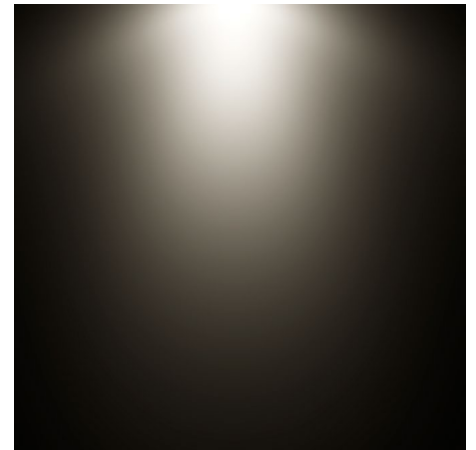
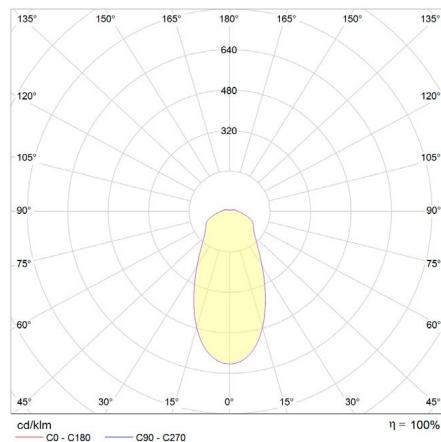
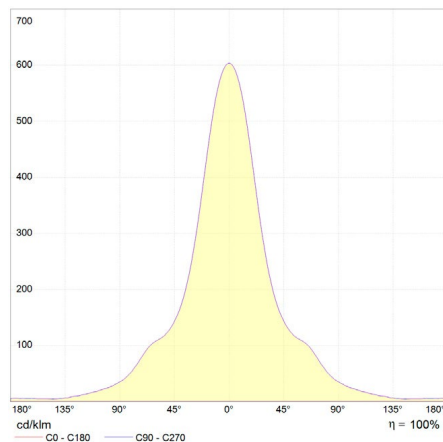


C1-mini-R-SL Spotlight  
(sold separately)

- A500100** Splitter, 1 connection, for track and bar
- A500101** Splitter, 2 connections, for track and bar
- A500102** Splitter, 3-4 connections, for track and bar
- A500103** Splitter, 5-7 connections, for track and bar
- A500104** Splitter, 8-10 connections, for track and bar
- A500105** Splitter, 11-13 connections, for track and bar
- A500106** Splitter, 14-16 connections, for track and bar
- A500107** Splitter, 17-19 connections, for track and bar

## PHOTOMETRIC DATA

for light color ~3,000 K | linear optics ~50° | color rendering index typ. 97, R9 > 90, R12 > 90 | color variation ≤ 3 SDCM



Job Name/Date:

Fixture Type Designation:

## SUGGESTED POWER SUPPLIES for Light Bar

24VDC - for the R-SL-16-T LED light bar - C1-mini-R-SL spotlight needs separate power supply

| Part Number               | Description   | Input/Output                            | # of Fixtures |
|---------------------------|---|---|---------------|
| <a href="#">PPLT00586</a> | Non-Dim   | 120VAC to 24VDC, 40W, Class 2           | 1-2           |
| <a href="#">PPLT00586</a> | Non-Dim   | 120-277VAC to 24VDC, 40W, Class 2       | 1-2           |
| <a href="#">PPLT00709</a> | ELV / TRIAC & 0-10V Dimming                               | 120-277VAC to 24VDC, 96W, Class 2, DAMP | 1-5           |
| <a href="#">PPLT00543</a> | 0-10V Dimming (to 15%) (-40°C / -40°F cold weather start) | 120-277VAC to 24VDC, 100W, Class 2      | 1-5           |

## Suggested Lutron Compatible

| Part Number               | Option         | Lutron SKU | Dim Range | Description  | Input/Output                      | # of Fixtures |
|---------------------------|----------------|------------|-----------|--|-----------------------------------|---------------|
| <a href="#">PPLT00273</a> | L3DAE / L3DA3W | L3DA       | 100%-1%   | Hi-Lume™ 1% EcoSystem™ or 1% 3-Wire LED Driver       | 120-277VAC to 24VDC, 40W, Class 2 | 1-2           |
| <a href="#">PPLT00530</a> | L3D0           | L3D0       | 100%-0.1% | Hi-Lume™ Premier 0.1% or Ecosystem 3-Wire LED Driver | 120-277VAC to 24VDC, 96W, Class 2 | 1-5           |

For other power supply options consult factory.

See C1-Mini-R-SI Datasheet for  
Suggested Power Supplies for Fixture

Job Name/Date:

Fixture Type Designation: