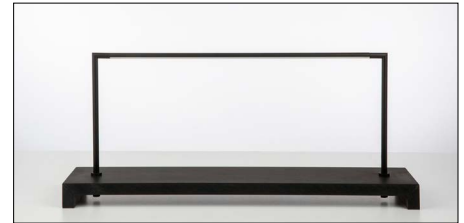


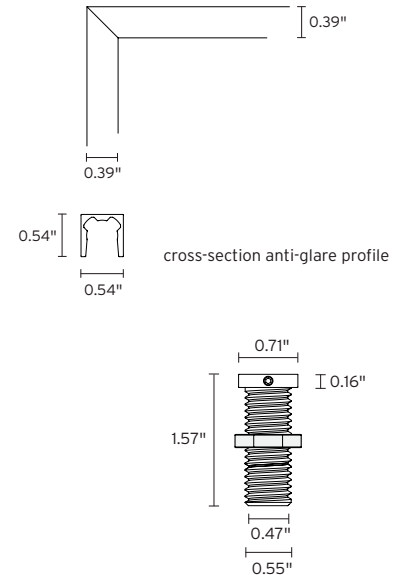
R1-TG is an LED light bar with a profile of Ø0.39", suitable for installation on a table. It is rotatable 360°, and available in 3 static color temperatures or tunable white and 3 standard finishes.



TECHNICAL DATA

Wattage / Input	15W per meter (3.28') (24VDC)
Power Supply	Remote - Consult Factory
Construction	Body: Anodized Aluminum
CCT	2700K, 3000K, 4000K Tunable White (2700K-6500K)
CRI	>97
Delivered Lumens	900 lm (3000K, 50°)
Efficacy	60 lm/W (3000K, 50°)
Optics	Linear Satined with 50° or 70° Beam Angle 240 LEDs/m (smallest separable unit 0.98")
Finishes	3 Standard, See Below
Fixture Dimensions	Ø0.39" x length - individual cut from 3.94" to 86.61" Center support recommended from 47.24" length Standard extension max. 17.32" (max. visible length 15.75") - can be shortened on request - additional height adjustable via flange Panel thickness 0.08" - 0.91" Borehole Ø 0.57"
Lumen Maintenance	L80,B10 >50,000hrs
IP Rating	IP20

Fixture Dimensions



ORDERING INFORMATION

Example: R1-TG-15-40-50-B-120-200. Accessories / Power Supplies ordered separately - consult factory.

	- 15		-		-		
Model No.	Wattage	CCT	Optics	Finish	Length	Height	
R1-TG	15 - 15W / m	27 - 2700K 30 - 3000K 40 - 4000K TW - Tunable White (2700K-6500K)	50 - 50° 70 - 70°	B - Anodized Black S - Silver G - Gold C - Custom RAL (consult factory for "C")	xx - increments of 10 cm starting at 20 cm (7.87") maximum 220 cm (86.61")	xx - maximum 500 mm	

Job Name/Date:

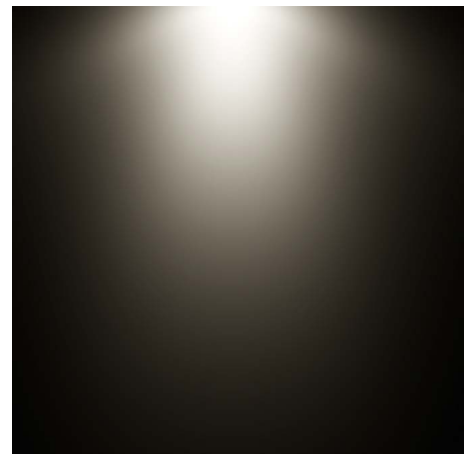
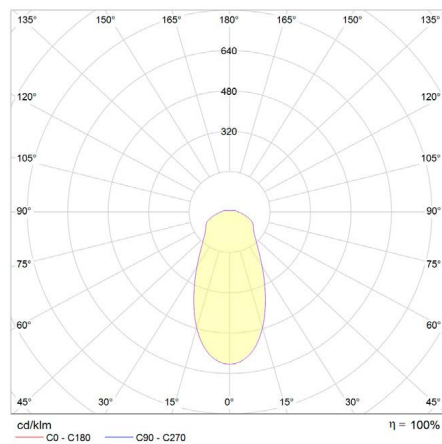
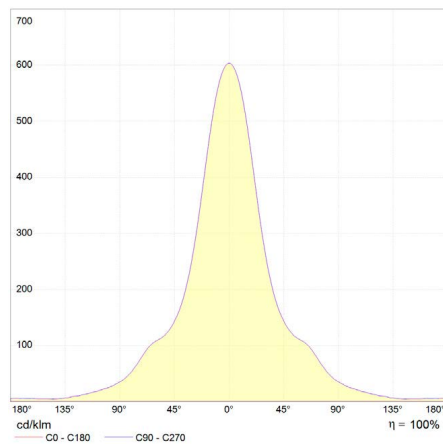
Fixture Type Designation:

ACCESSORIES

- A500100** Splitter, 1 connection, for track and bar
- A500101** Splitter, 2 connections, for track and bar
- A500102** Splitter, 3-4 connections, for track and bar
- A500103** Splitter, 5-7 connections, for track and bar
- A500104** Splitter, 8-10 connections, for track and bar
- A500105** Splitter, 11-13 connections, for track and bar
- A500106** Splitter, 14-16 connections, for track and bar
- A500107** Splitter, 17-19 connections, for track and bar

PHOTOMETRIC DATA

for light color ~3,000 K | linear optics ~50° | color rendering index typ. 97, R9 > 90, R12 > 90 | color variation ≤ 3 SDCM



Job Name/Date:

Fixture Type Designation: