

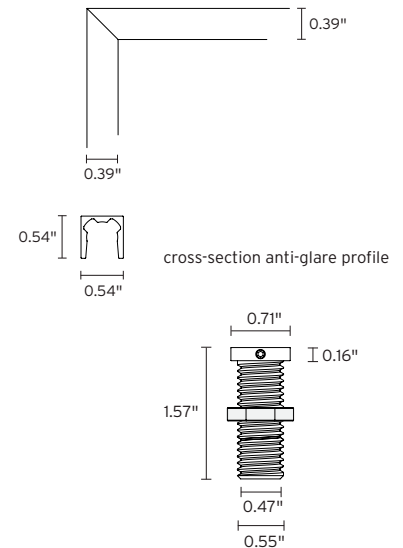
R1-TG is an LED light bar with a profile of Ø0.39", suitable for installation on a table. It is rotatable 360°, and available in 3 static color temperatures or tunable white and 3 standard finishes.



TECHNICAL DATA

| | |
|---------------------------|---|
| Wattage / Input | 15W per meter (3.28') (24VDC) |
| Power Supply | Remote - Consult Factory |
| Construction | Body: Anodized Aluminum |
| CCT | 2700K, 3000K, 4000K Tunable White (2700K-6500K) |
| CRI | >97 |
| Delivered Lumens | 900 lm (3000K, 50°) |
| Efficacy | 60 lm/W (3000K, 50°) |
| Optics | Linear Satined with 50° or 70° Beam Angle 240 LEDs/m (smallest separable unit 0.98") |
| Finishes | 3 Standard, See Below |
| Fixture Dimensions | Ø0.39" x length - individual cut from 3.94" to 86.61" Center support recommended from 47.24" length Standard extension max. 17.32" (max. visible length 15.75") - can be shortened on request - additional height adjustable via flange Panel thickness 0.08" - 0.91" Borehole Ø 0.57" |
| Lumen Maintenance | L80,B10 >50,000hrs |
| IP Rating | IP20 |

Fixture Dimensions



ORDERING INFORMATION

Example: R1-TG-15-40-50-SW-120-200. Accessories / Power Supplies ordered separately - consult factory.

| | - 15 | | - | | - | | |
|-----------|--------------|---|----------------------|--|---|------------------------|--|
| Model No. | Wattage | CCT | Optics | Finish | Length | Height | |
| R1-TG | 15 - 15W / m | 27 - 2700K 30 - 3000K 40 - 4000K TW - Tunable White (2700K-6500K) | 50 - 50° 70 - 70° | SW - Anodized Black SI - Silver GO - Gold RAL - Custom RAL (consult factory for "C") | xx - increments of 10 cm starting at 20 cm (7.87") maximum 220 cm (86.61") | xx - maximum 500 mm | |

Job Name/Date:

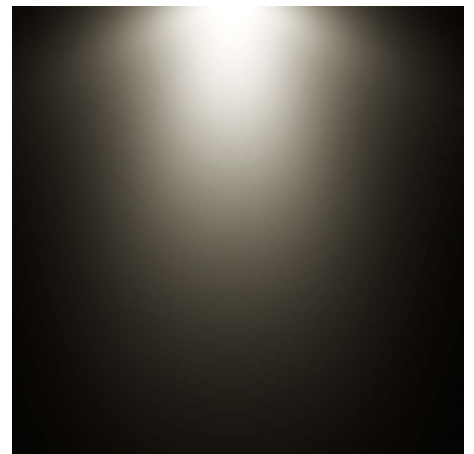
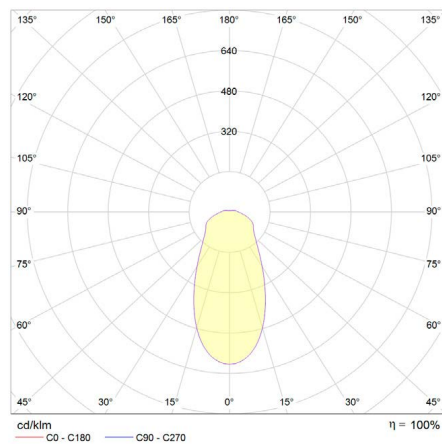
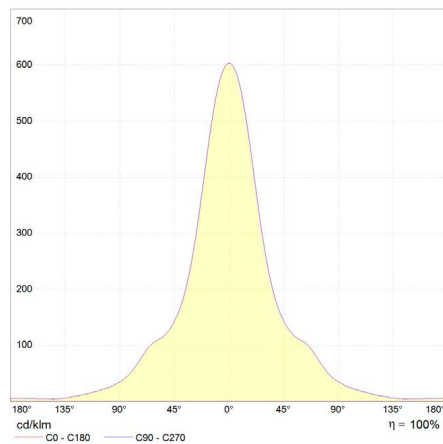
Fixture Type Designation:

ACCESSORIES

- A500100** Splitter, 1 connection, for track and bar
- A500101** Splitter, 2 connections, for track and bar
- A500102** Splitter, 3-4 connections, for track and bar
- A500103** Splitter, 5-7 connections, for track and bar
- A500104** Splitter, 8-10 connections, for track and bar
- A500105** Splitter, 11-13 connections, for track and bar
- A500106** Splitter, 14-16 connections, for track and bar
- A500107** Splitter, 17-19 connections, for track and bar

PHOTOMETRIC DATA

for light color ~3,000 K | linear optics ~50° | color rendering index typ. 97, R9 > 90, R12 > 90 | color variation ≤ 3 SDCM



Job Name/Date:

Fixture Type Designation:

SUGGESTED POWER SUPPLIES

Consult factory

Job Name/Date:

Fixture Type Designation: