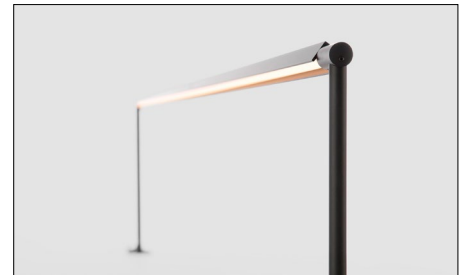


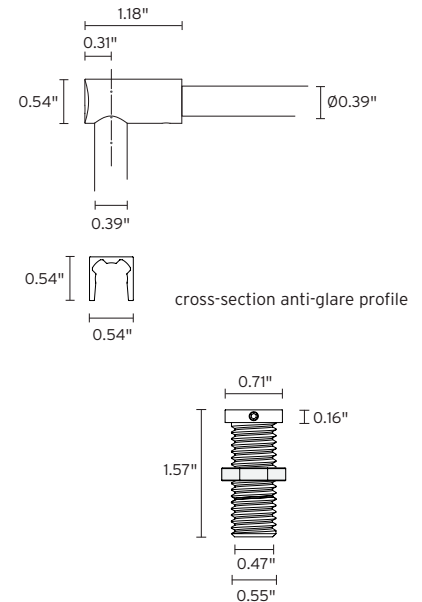
R1-T is an LED light bar with a profile of Ø0.39", suitable for installation on a table. It is rotatable 360°, and available in 3 static color temperatures or tunable white and 3 standard finishes.



TECHNICAL DATA

Wattage / Input	15W per meter (3.28') (24VDC)
Power Supply	Remote - See page 3
Construction	Body: Anodized Aluminum
CCT	2700K, 3000K, 4000K Tunable White (2700K-6500K)
CRI	>97
Delivered Lumens	900 lm (3000K, 50°)
Efficacy	60 lm/W (3000K, 50°)
Optics	Linear Satined with 50° or 60° Beam Angle Linear Satined with 70° Beam Angle (30K, 40K only) 240 LEDs/m (smallest separable unit 0.98")
Finishes	3 Standard, See Below
Fixture Dimensions	Ø0.39" x length - individual cut from 3.94" to 86.61" Center support recommended from 47.24" length Standard extension max. 17.32" (max. visible length 15.75") - can be shortened on request - additional height adjustable via flange Panel thickness 0.08" - 0.91" Borehole Ø 0.57"
Lumen Maintenance	L80,B10 >50,000hrs
IP Rating	IP20

Fixture Dimensions



ORDERING INFORMATION

Example: R1-T-BS-240-15-40-50-G-120-200. Accessories / Power Supplies ordered separately.

	- 15	-	-	-	-	-	
Model No.	Wattage	CCT	Optics	Finish	Length	Height	
R1-T-240	15 - 15W/m	27 - 2700K	50 - 50°	B - Anodized Black	xx - increments of 10 cm starting at 20 cm (7.87") maximum 220 cm (86.61")	xx - maximum 500 mm	
R1-T-BS-240 - with anti-glare shield		30 - 3000K 40 - 4000K TW - Tunable White (2700K-6500K)	60 - 60° 70 - 70° <i>Note: 70° only available with 3000K or 4000K</i>	S - Silver G - Gold C - Custom RAL (consult factory for "C")			

Job Name/Date:

Fixture Type Designation:

ACCESSORIES

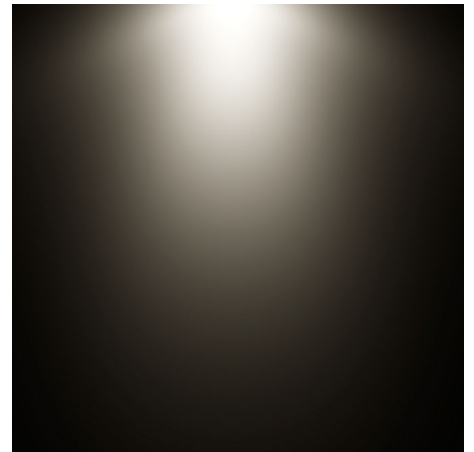
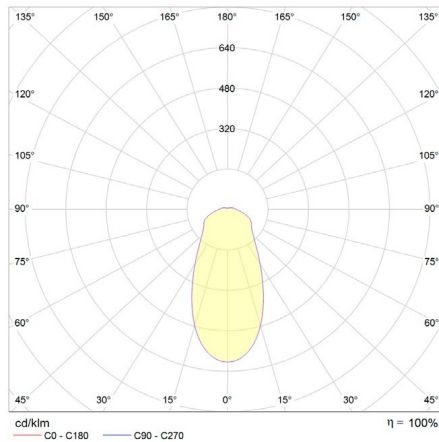
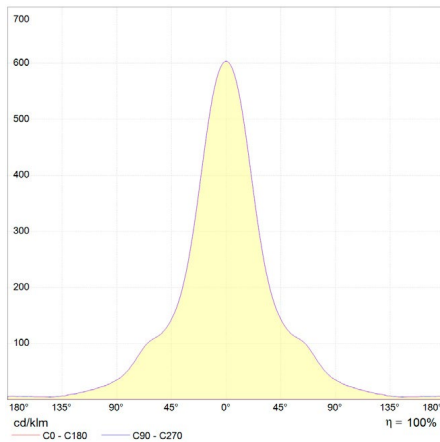


Anti-glare Profile
USE MODEL CODES WITH BS
 0.54" x 0.54"

- A500100** Splitter, 1 connection, for track and bar
- A500101** Splitter, 2 connections, for track and bar
- A500102** Splitter, 3-4 connections, for track and bar
- A500103** Splitter, 5-7 connections, for track and bar
- A500104** Splitter, 8-10 connections, for track and bar
- A500105** Splitter, 11-13 connections, for track and bar
- A500106** Splitter, 14-16 connections, for track and bar
- A500107** Splitter, 17-19 connections, for track and bar

PHOTOMETRIC DATA

for light color ~3,000 K | linear optics ~50° | color rendering index typ. 97, R9 > 90, R12 > 90 | color variation ≤ 3 SDCM



Job Name/Date:

Fixture Type Designation:

SUGGESTED POWER SUPPLIES

24VDC

Part Number	Description	Input/Output	# of Fixtures
PPLT00056	Non-Dim	120-277VAC to 24VDC, 26W, Class 2, IP66	1-1
PPLT00586	Non-Dim	120VAC to 24VDC, 40W, Class 2	1-2
PPLT00586	Non-Dim	120-277VAC to 24VDC, 40W, Class 2	1-2
PPLT00709	ELV / TRIAC & 0-10V Dimming	120-277VAC to 24VDC, 96W, Class 2, DAMP	1-5
PPLT00543	0-10V Dimming (to 15%) (-40°C / -40°F cold weather start)	120-277VAC to 24VDC, 100W, Class 2	1-5

Suggested Lutron Compatible

Part Number	Option	Lutron SKU	Dim Range	Description	Input/Output	# of Fixtures
PPLT00273	L3DAE / L3DA3W	L3DA	100%-1%	Hi-Lume™ 1% EcoSystem™ or 1% 3-Wire LED Driver	120-277VAC to 24VDC, 40W, Class 2	1-2
PPLT00530	L3D0	L3D0	100%-0.1%	Hi-Lume™ Premier 0.1% or Ecosystem 3-Wire LED Driver	120-277VAC to 24VDC, 96W, Class 2	1-5

For other power supply options consult factory.

Job Name/Date:

Fixture Type Designation: