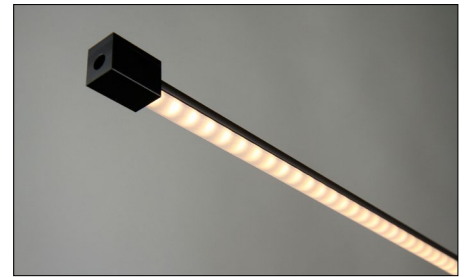
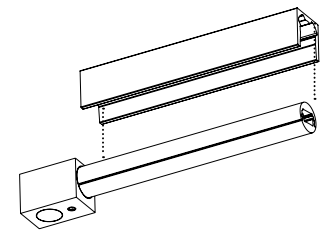


R1 is an LED light bar that is magnetically mountable, with a profile of Ø0.39", suitable for showcase lighting in museum and retail settings. It is rotatable 360°, and available in 3 static color temperatures or tunable white and 3 standard finishes.



Fixture Dimensions  
See full drawing on page 2



## TECHNICAL DATA

<b>Wattage / Input</b>	15W per meter (3.28') (24VDC)
<b>Power Supply</b>	Remote - See page 3
<b>Construction</b>	Body: Anodized Aluminum
<b>CCT</b>	2700K, 3000K, 4000K Tunable White (2700K-6500K)
<b>CRI</b>	>97
<b>Delivered Lumens</b>	900 lm (3000K, 50°)
<b>Efficacy</b>	60 lm/W (3000K, 50°)
<b>Optics</b>	Linear Satined with 50° or 70° Beam Angle 240 LEDs/m (smallest separable unit 0.98")
<b>Finishes</b>	3 Standard, See Below
<b>Fixture Dimensions</b>	0.46" x 0.39" x length (individual cut from 3.94" to 86.61")
<b>Lumen Maintenance</b>	L80, B10 >50,000hrs
<b>IP Rating</b>	IP20

## ORDERING INFORMATION

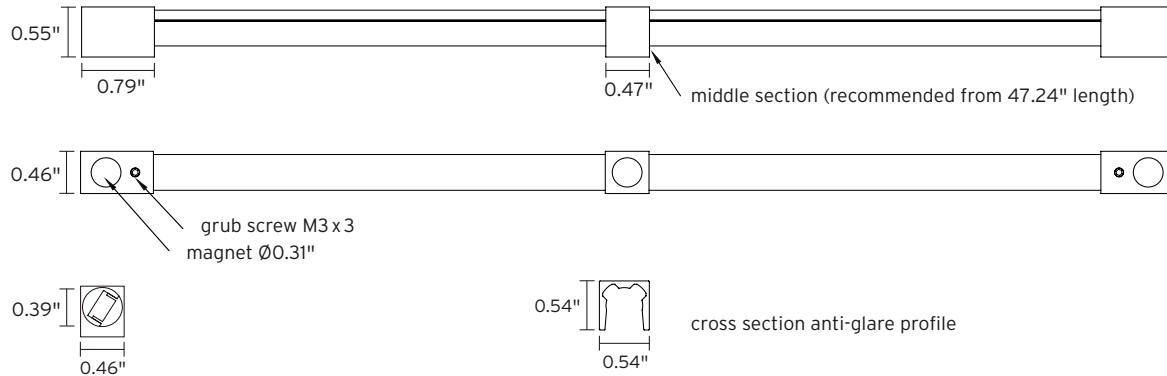
Example: R1-240-15-40-50-G-120. Accessories / Power Supplies ordered separately.

	-	15	-		-		-		-	
Model No.	Wattage	CCT	Optics	Finish	Length					
R1-240	15 - 15W / m	27 - 2700K	50 - 50°	B - Anodized Black	xx - increments of 10 cm					
R1-BS-240 - with anti-glare shield		30 - 3000K	70 - 70°	S - Silver	starting at 20 cm (7.87")					
		40 - 4000K		G - Gold	maximum 220 cm (86.61")					
		TW - Tunable White (2700K-6500K)		C - Custom RAL (consult factory for "C")						

Job Name/Date:

Fixture Type Designation:

**FIXTURE DIMENSIONS**



**ACCESSORIES**



- A500100** Splitter, 1 connection, for track and bar
- A500101** Splitter, 2 connections, for track and bar
- A500102** Splitter, 3-4 connections, for track and bar
- A500103** Splitter, 5-7 connections, for track and bar
- A500104** Splitter, 8-10 connections, for track and bar
- A500105** Splitter, 11-13 connections, for track and bar
- A500106** Splitter, 14-16 connections, for track and bar
- A500107** Splitter, 17-19 connections, for track and bar

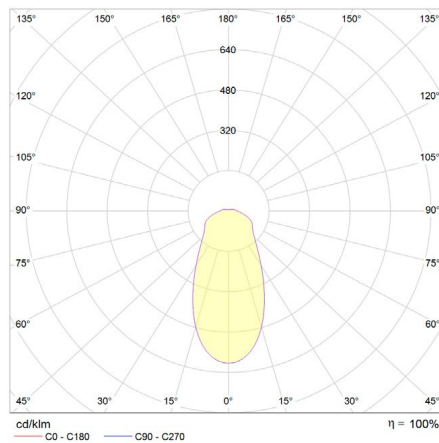
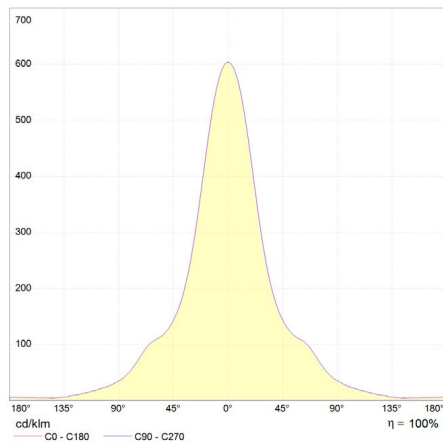
**Anti-glare Profile**

**USE MODEL CODES WITH BS**

0.54" x 0.54"

**PHOTOMETRIC DATA**

for light color ~3,000 K | linear optics ~50° | color rendering index typ. 97, R9 > 90, R12 > 90 | color variation ≤ 3 SDCM



Job Name/Date:

Fixture Type Designation:

**SUGGESTED POWER SUPPLIES**

24VDC

Part Number	Description	Input/Output	# of Fixtures
<a href="#">PPLT00056</a>	Non-Dim	120-277VAC to 24VDC, 26W, Class 2, IP66	1-1
<a href="#">PPLT00586</a>	Non-Dim	120VAC to 24VDC, 40W, Class 2	1-2
<a href="#">PPLT00586</a>	Non-Dim	120-277VAC to 24VDC, 40W, Class 2	1-2
<a href="#">PPLT00709</a>	ELV / TRIAC & 0-10V Dimming	120-277VAC to 24VDC, 96W, Class 2, DAMP	1-5
<a href="#">PPLT00543</a>	0-10V Dimming (to 15%) (-40°C / -40°F cold weather start)	120-277VAC to 24VDC, 100W, Class 2	1-5

## Suggested Lutron Compatible

Part Number	Option	Lutron SKU	Dim Range	Description	Input/Output	# of Fixtures
<a href="#">PPLT00273</a>	L3DAE / L3DA3W	L3DA	100%-1%	Hi-Lume™ 1% EcoSystem™ or 1% 3-Wire LED Driver	120-277VAC to 24VDC, 40W, Class 2	1-2
<a href="#">PPLT00530</a>	L3D0	L3D0	100%-0.1%	Hi-Lume™ Premier 0.1% or Ecosystem 3-Wire LED Driver	120-277VAC to 24VDC , 96W, Class 2	1-5

For other power supply options consult factory.

Job Name/Date:

Fixture Type Designation: