


RDD, RDP, RDW



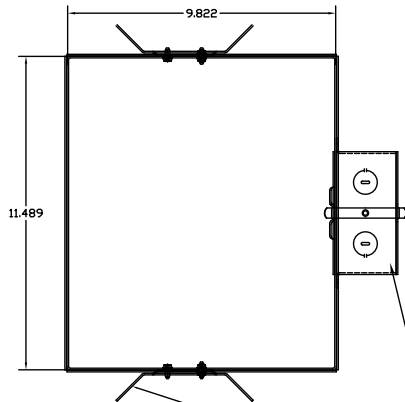
- . Closed bottom (various options)
- . Vandal Resistant
- . 3000 lm Xicato XTM LED module
CRI > 80
- . 18 Ga zinc coated steel housing
- . Low copper alloy die cast trim ring
- . Integral electronic power supply
- . 3/16" thick polycarbonate lens
- . Cone is available in white, black.
- .  listed wet label
- . Complies with LM79 and LM80

RDD Clear Bottom Lens with Center Diffusing **Dot**



RDP Clear **P**olycarbonate Bottom Lens **RDW** Translucent **W**hite Opal Lens

RDD, RDP, RDW



ORDERING EXAMPLE: RDD-30351W25CW0
WOULD BE AN RDD WITH 3000LUMEN, 3500K LED,
CLEAR LENS w/ OPAL CENTER, GLOSS WHITE CONE,
WITH A MEDIUM OPTICAL REFLECTOR.
TRIM FINISH IS GLOSS WHITE.

