

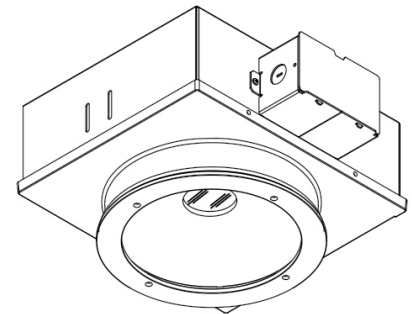
RDD DOWNLIGHT

The RDD Downlight is a vandal resistant, IP65 wet label downlight with a closed bottom and a clear regressed lens and center diffusing dot. It is offered in 4 color temperatures, 2 optics options and 5 standard finishes as well as 4 marine grade finishes.



MADE IN THE U.S.A.

Fixture Dimensions - See page 2
Concrete Drawing - See page 3



TECHNICAL DATA

Wattage / Input	30W (120-277VAC or 347VAC)
Power Supply	Integral (0-10V Dimming)
Construction	Body: 18 Ga. Zinc Coated Steel Trim Ring: Die-cast Low Copper Alloy Lens: 3/16" Clear Polycarbonate
CCT	2700K, 3000K, 3500K, 4000K
BUG Rating	B1-U0-G0 (25°, 45°)
CRI	>80
Delivered Lumens	1520 lm (3000K, 25°)
Efficacy	50.6 lm/W
Optics	25°, 45°
Finishes	5 Standard plus 4 Marine Grade (see below)
Fixture Dimensions	Ø7.16" x 9.82" x 11.48"
Cut-Out Dimensions	Ø8.5"
Fixture Weight	9.2 lbs
LED Source	Xicato XTM LED Module
Color Consistency	1x2 MacAdam Ellipse (1x2 SDCM)
IP Rating	IP65

ORDERING INFORMATION

Example: RDD-3030-V-1-W-25-C-11-0. Accessories ordered separately.

RDD	-		-	1	-	W	-		-		-	
Model #	CCT	Body	Lens	Cone	Optics	Driver	Finish	Options				
RDD	3027 - 27K	4 - Fully	1 - Standard	W - White	25 - 25°	C - 120-277VAC	11 - White Suede	0 - None				
(clear	3030 - 30K	Recessed			45 - 45°	w/ 0-10V	02 - Black Suede	1 - Emergency				
lens w/	3035 - 35K	w/ Hanger				Dimming	18 - Bronze	Ballast				
opal	3040 - 40K	Bar Brackets				2 - 347VAC	TS - Silver	8 - Special				
center)		V - Fully				w/ 0-10V	Add prefix "M" to above	Screws				
		Recessed				Dimming	colors for Marine Grade					
		for concrete					Clear Overcoat					
		pour					PN - Polished					
							Nickel					
							Marine Grade Clear					
							Overcoat NOT available					
							on Polished Nickel					

Lower lumen packages are available.
Contact Factory for information.

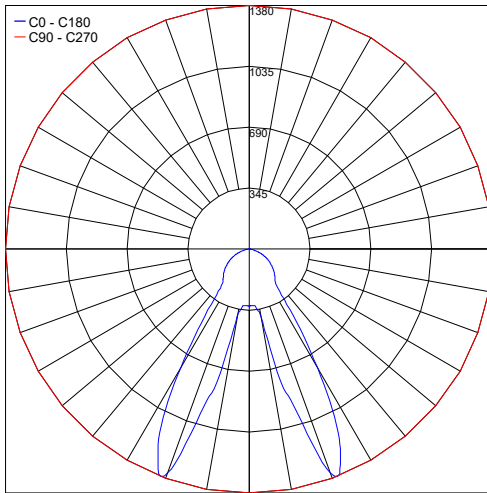
Job Name/Date:

Fixture Type Designation:

PHOTOMETRIC DATA

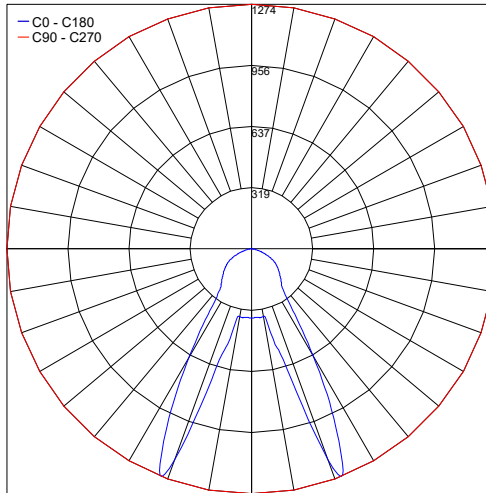
Note all Photometry is 3000K

Maximum Candela = 1380



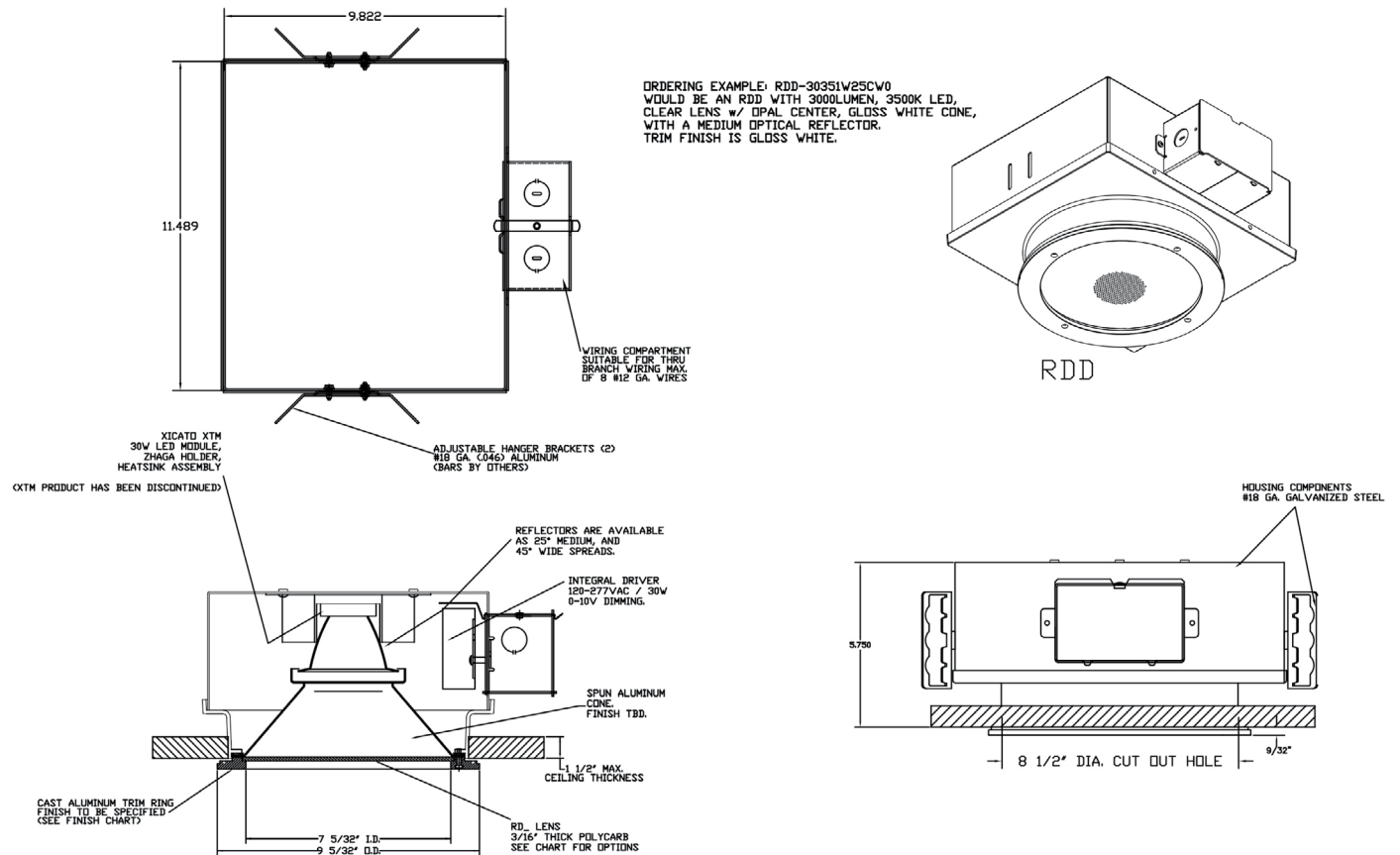
PHOTOMETRIC FILENAME : RDD-30301W25CW00.IES

Maximum Candela = 1274



PHOTOMETRIC FILENAME : RDD-30301W45CW00.IES

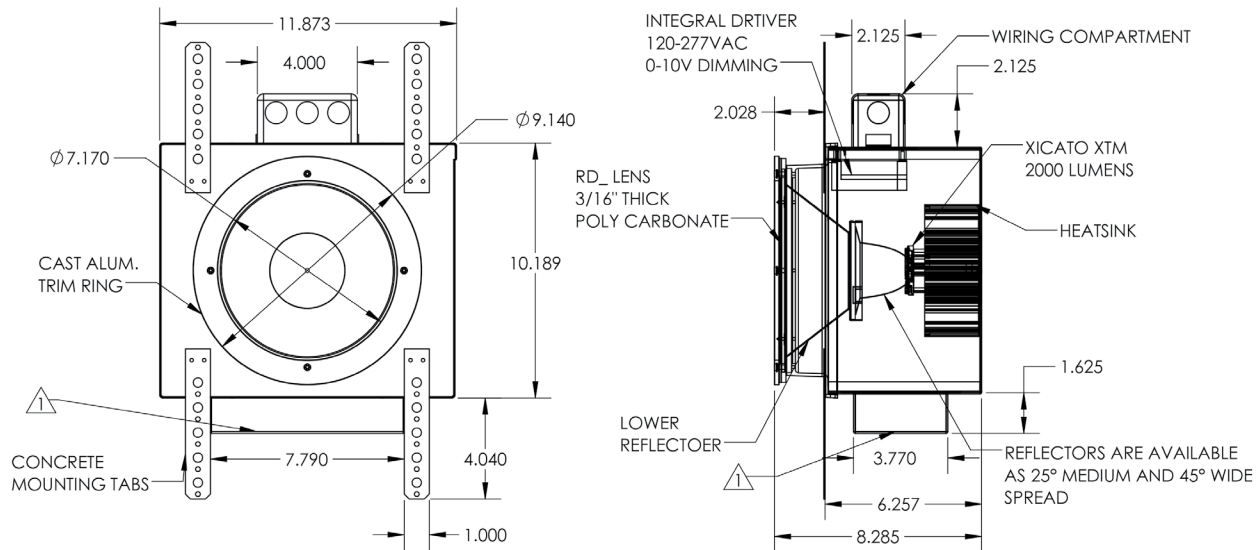
DRAWING - See page 3 for Concrete drawing



Job Name/Date:

Fixture Type Designation:

CONCRETE DRAWING



Job Name/Date:

Fixture Type Designation: