



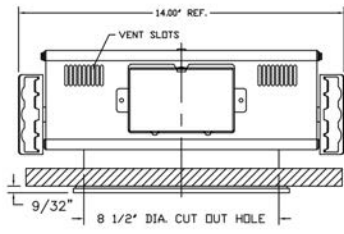
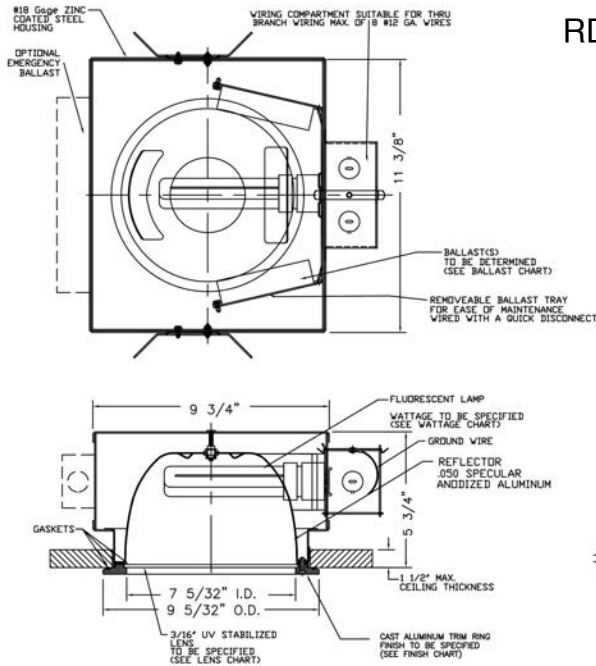
design: richard klapper

RDL/RHL

- 18 GA Zinc coated steel housing
- Adjustable for 1/2" to 1 1/2" thick ceiling
- Concrete pour housing available
- Low copper alloy cast trim ring
- 3/16" thick UV stabilized polycarbonate lens
- Zero iridescence reflector
- Triple gasketed
- Trim ring is mechanically attached to body
- listed wet label IP65
- Available as matching wall wash

designplan

RDL



RHL

