

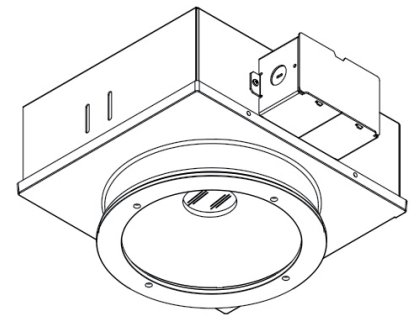
RDP DOWNLIGHT

The RDP Downlight is a vandal resistant, IP65 wet label downlight with a closed bottom and a clear polycarbonate bottom lens. It is offered in 4 color temperatures, 2 optics options and 5 standard finishes as well as 4 marine grade finishes.



MADE IN THE U.S.A.

Fixture Dimensions - See page 2
Concrete Drawing - See page 3



TECHNICAL DATA

Wattage / Input	30W (120-277VAC or 347VAC)
Power Supply	Integral (0-10V Dimming)
Construction	Body: 18 Ga. Zinc Coated Steel Trim Ring: Die-cast Low Copper Alloy Lens: 3/16" Clear Polycarbonate
CCT	2700K, 3000K, 3500K, 4000K
CRI	>80
Delivered Lumens	2612 lm (3000K, 25°)
Efficacy	50.6 lm/W
Optics	25°, 45°
Finishes	5 Standard plus 4 Marine Grade (see below)
Fixture Dimensions	Ø7.16" x 9.82" x 11.48"
Cut-Out Dimensions	Ø8.5"
Fixture Weight	9.2 lbs
LED Source	Xicato XTM LED Module
Color Consistency	1x2 MacAdam Ellipse (1x2 SDCM)
IP Rating	IP65

ORDERING INFORMATION

Example: RDP-3030-V-1-W-25-C-11-0. Accessories ordered separately.

RDP	-		-		-	1	-	W	-		-		-		-	
Model #	CCT	Body	Lens	Cone	Optics	Driver	Finish	Options								
RDP	3027 - 27K	4 - Fully	1 - Standard	W - White	25 - 25°	C - 120-277VAC	11 - White Suede	0 - None								
(clear poly lens with opal center)	3030 - 30K	Recessed			45 - 45°	w/ 0-10V Dimming	02 - Black Suede	1 - Emergency Ballast								
	3035 - 35K	w/ Hanger				2 - 347VAC	18 - Tex. Bronze	8 - Special Screws								
	3040 - 40K	Bar Brackets				w/ 0-10V Dimming	TS - Silver									
		V - Fully Recessed for concrete pour					<i>Add prefix "M" to above colors for Marine Grade Clear Overcoat</i>									
							PN - Polished Nickel									
							<i>Marine Grade Clear Overcoat NOT available on Polished Nickel</i>									

Lower lumen packages are available. Contact Factory for information.

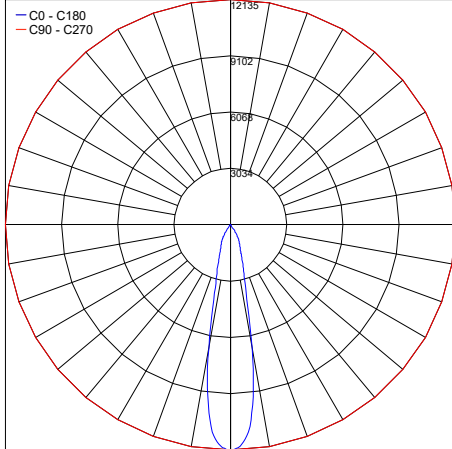
Job Name/Date:

Fixture Type Designation:

PHOTOMETRIC DATA

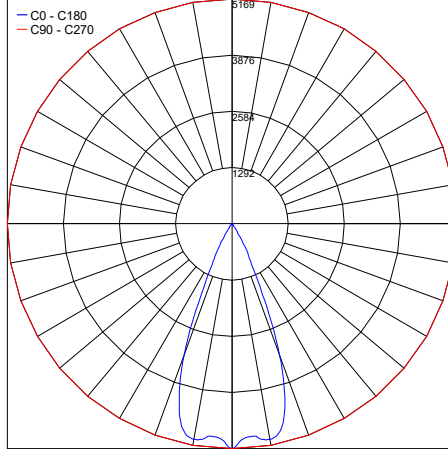
Note all Photometry is 3000K

Maximum Candela = 12135



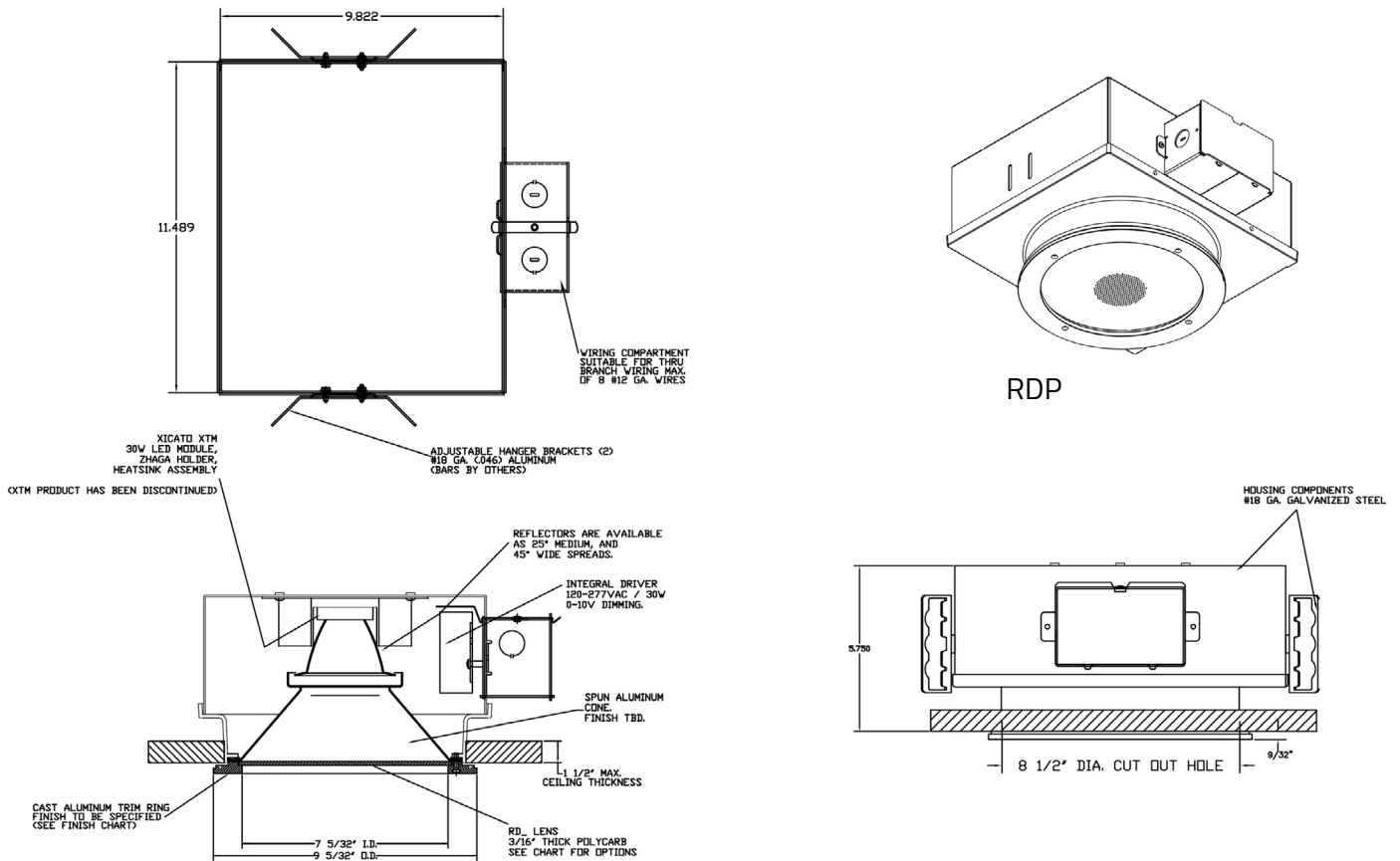
PHOTOMETRIC FILENAME : RDP30351W25CW0.IES

Maximum Candela = 5169



PHOTOMETRIC FILENAME : RDP30351W45CW0.IES

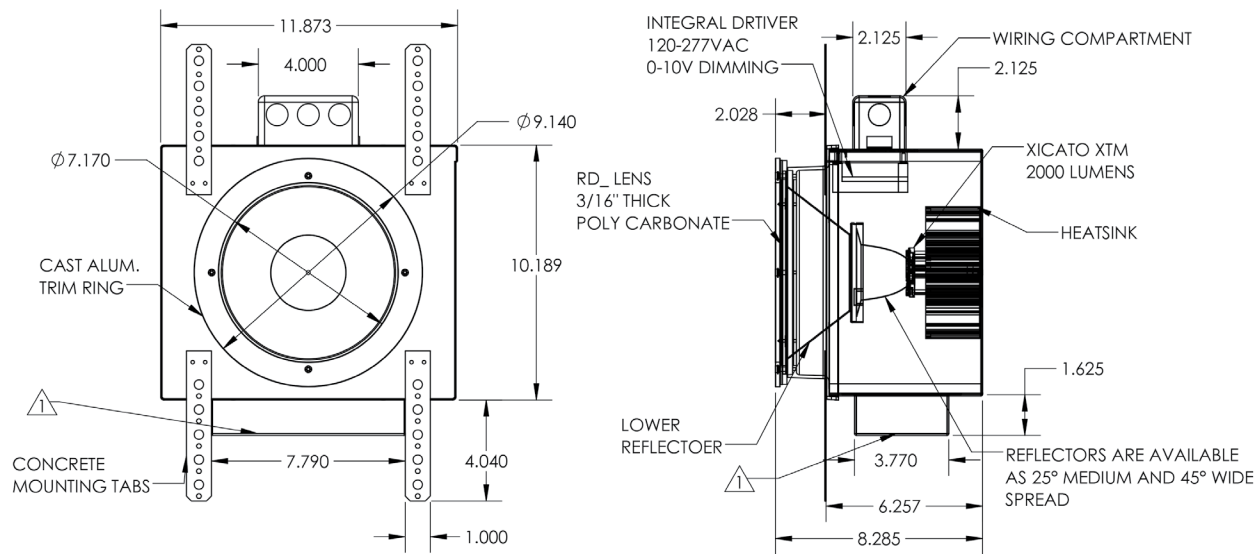
DRAWING - See page 3 for Concrete drawing



Job Name/Date:

Fixture Type Designation:

CONCRETE DRAWING



Job Name/Date:

Fixture Type Designation: