

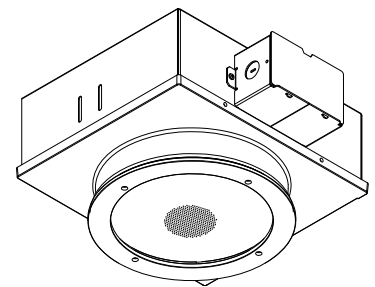
RDW DOWNLIGHT

The RDW Downlight is a vandal resistant, IP65 wet label downlight with a closed bottom and an opal white lens. It is offered in 5 color temperatures, 2 optics options and 5 standard finishes as well as 4 marine grade finishes.



MADE IN THE U.S.A.

Fixture Dimensions - See page 2
Concrete Drawing - See page 3



TECHNICAL DATA

Wattage	30W (White), 20W (Red)
Power Supply	Integral 120-277VAC or 347VAC Red: 1000mA
Dimming	0-10V Dimming
Construction	Body: 18 Ga. Zinc Coated Steel Trim Ring: Die-cast Low Copper Alloy Lens: 3/16" Opal Polycarbonate
CCT	2700K, 3000K, 3500K, 4000K, Red
CRI	>80
Delivered Lumens	1520 lm (3000K, 25°)
Efficacy	50.6 lm/W
Optics	25°, 45°
Finishes	5 Standard plus 4 Marine Grade (see below)
Fixture Dimensions	Ø7.16" x 9.82" x 11.48"
Cut-out Dimension	Ø8.50" (for ceiling installations)
LED Source	LED COB, RED 620-630 nm
Fixture Weight	9.2 lbs
Color Consistency	2-Step MacAdam
IP Rating	IP65

ORDERING INFORMATION

Example: RDW-3030-V-1-W-25-C-02-0. Accessories ordered separately.

RDW	-		-		-	1	-	W	-		-		-		-	
-----	---	--	---	--	---	---	---	---	---	--	---	--	---	--	---	--

Model #	CCT	Body	Lens	Cone	Optics	Driver	Finish	Options
RDW	3027 - 27K	4 - Fully Recessed	1 - Standard	W - White	25 - 25°	C - 120-277VAC	11 - White Suede	0 - None
(opal poly lens)	3030 - 30K	w/ Hanger			45 - 45°	w/ 0-10V Dimming	02 - Black Suede	1 - Emergency Ballast
	3035 - 35K	Bar Brackets				2 - 347VAC	18 - Tex. Bronze	8 - Special Screws
	3040 - 40K					w/ 0-10V Dimming	TS - Silver	
	RD - Red	V - Fully Recessed for concrete pour				R - Red LED 1000mA	<i>Add prefix "M" to above colors for Marine Grade Clear Overcoat</i>	
						'R' for RD - Red option only	PN - Polished Nickel	
							<i>Marine Grade Clear Overcoat NOT available on Polished Nickel</i>	

Lower lumen packages are available. Contact Factory for information.

Job Name/Date:

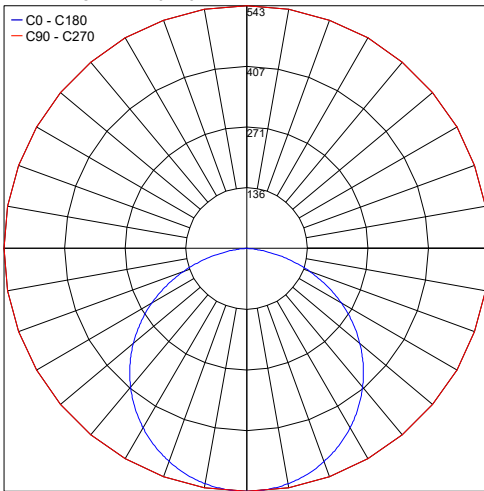
Fixture Type Designation:

PHOTOMETRIC DATA

Note all Photometry is 3500K

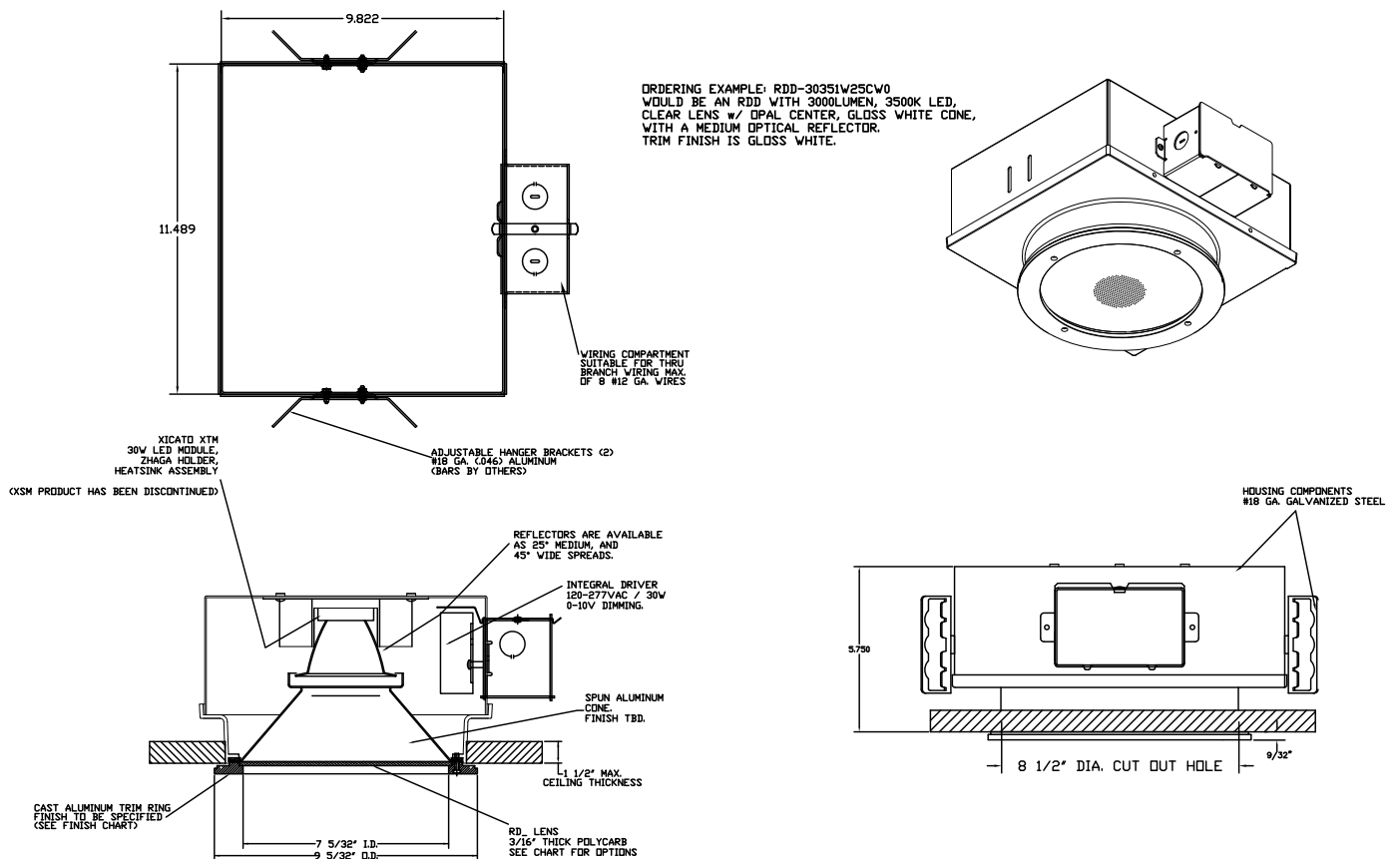
Maximum Candela = 542.8

— C0 - C180
— C90 - C270



PHOTOMETRIC FILENAME : RDW-3035-1-W-45-C-W0.IES

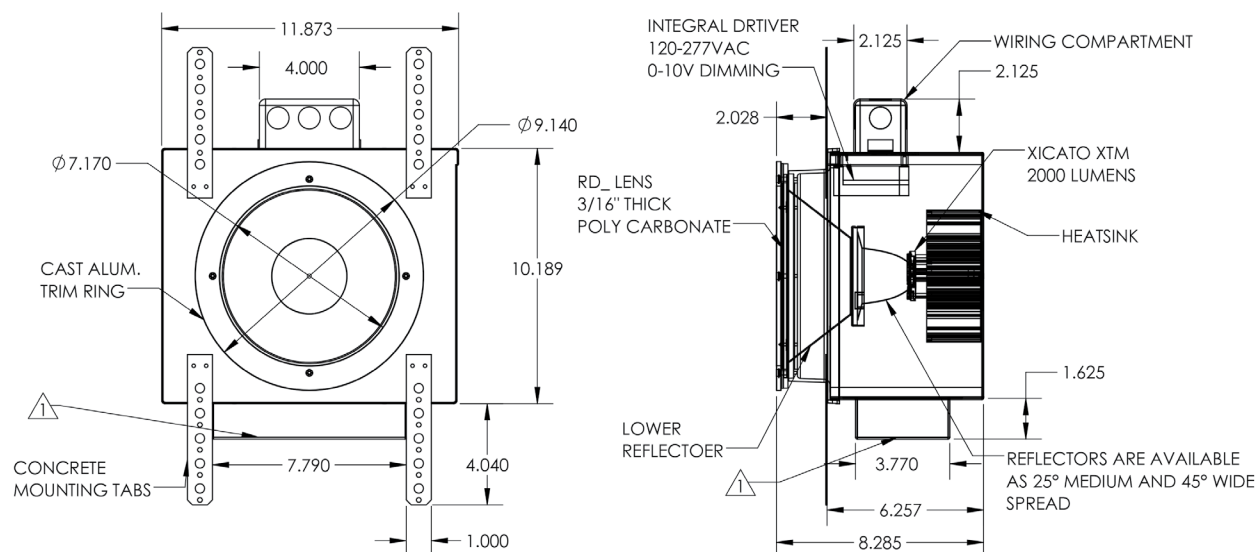
DRAWING - See page 3 for Concrete drawing



Job Name/Date:

Fixture Type Designation:

CONCRETE DRAWING



Job Name/Date:

Fixture Type Designation: