

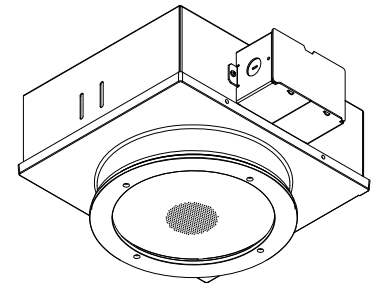
RDW DOWNLIGHT

The RDW Downlight is a vandal resistant, IP65 wet label downlight with a closed bottom and an opal white lens. It is offered in 4 color temperatures, 2 optics options and 5 standard finishes as well as 4 marine grade finishes.



MADE IN THE U.S.A.

Fixture Dimensions - See page 2
Concrete Drawing - See page 3



TECHNICAL DATA

Wattage / Input	30W (120-277VAC or 347VAC)
Power Supply	Integral (0-10V Dimming)
Construction	Body: 18 Ga. Zinc Coated Steel Trim Ring: Die-cast Low Copper Alloy Lens: 3/16" Opal Polycarbonate
CCT	2700K, 3000K, 3500K, 4000K
CRI	>80
Delivered Lumens	1520 lm (3000K, 25°)
Efficacy	50.6 lm/W
Optics	25°, 45°
Finishes	5 Standard plus 4 Marine Grade (see below)
Fixture Dimensions	Ø7.16" x 9.82" x 11.48"
Cut-out Dimension	Ø8.50" (for ceiling installations)
LED Source	Xicato XTM LED Module
Fixture Weight	9.2 lbs
Color Consistency	2-Step MacAdam
IP Rating	IP65
IK Rating	-

ORDERING INFORMATION

Example: RDW-3030-V-1-W-25-C-02-0. Accessories ordered separately.

RDW	-	-	-	1	-	W	-	-	-	-	-	-
Model #	CCT	Body	Lens	Cone	Optics	Driver	Finish	Options				
RDW (opal poly lens)	3027 - 27K 3030 - 30K 3035 - 35K 3040 - 40K	4 - Fully Recessed w/ Hanger Bar Brackets V - Fully Recessed for concrete pour	1 - Standard	W - White	25 - 25° 45 - 45°	C - 120-277VAC w/ 0-10V Dimming 2 - 347VAC w/ 0-10V Dimming	11 - White Suede 02 - Black Suede 18 - Tex. Bronze TS - Silver PN - Polished Nickel Marine Grade Clear Overcoat NOT available on Polished Nickel	0 - None 1 - Emergency Ballast 8 - Special Screws				
Lower lumen packages are available. Contact Factory for information.												

Job Name/Date:

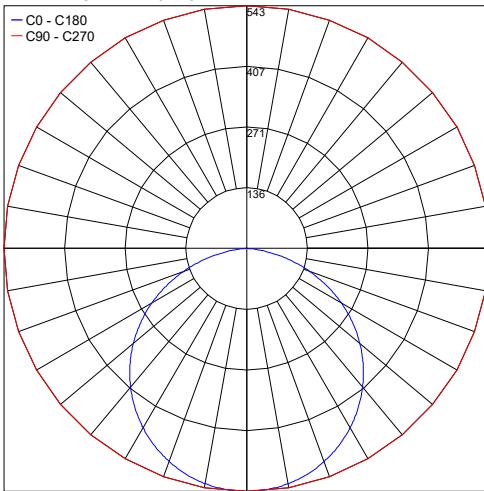
Fixture Type Designation:

PHOTOMETRIC DATA

Note all Photometry is 3500K

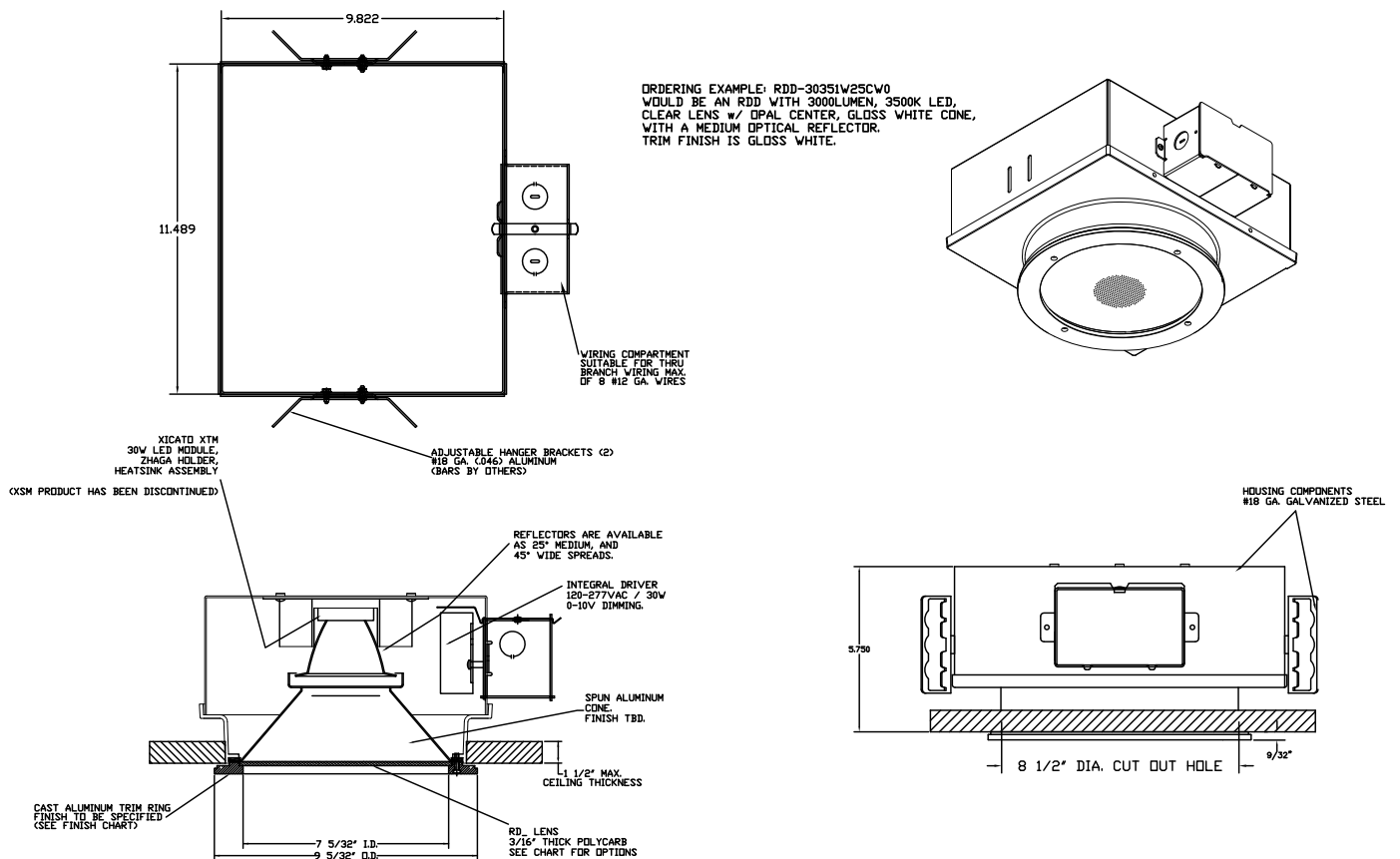
Maximum Candela = 542.8

— C0 - C180
— C90 - C270



PHOTOMETRIC FILENAME : RDW-3035-1-W-45-C-W0.IES

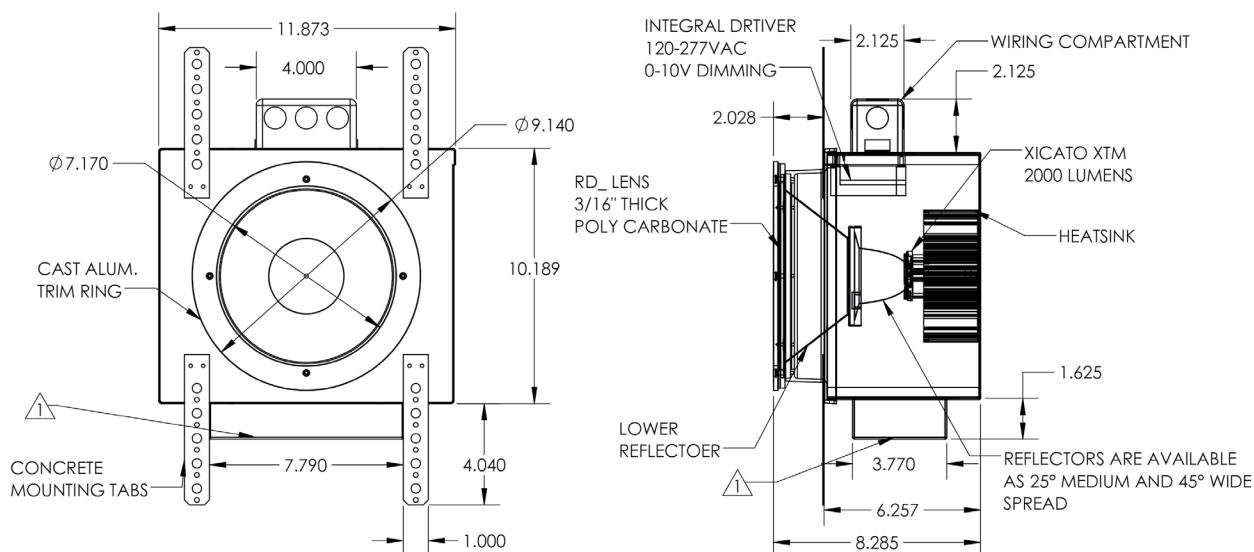
DRAWING - See page 3 for Concrete drawing



Job Name/Date:

Fixture Type Designation:

CONCRETE DRAWING



Job Name/Date:

Fixture Type Designation: