

RSI DOWNLIGHT

The RSI Downlight is a vandal resistant, IP65 wet label downlight that is IC and Chicago Plenum rated. It is available in white light and with 2 optics options. **NOT** suitable for steam rooms.



MADE IN THE U.S.A.

Fixture Dimensions
(see drawing on page 2)
Concrete Drawing - See page 3

TECHNICAL DATA

Wattage / Input	26W (120-277VAC or 347VAC)
Power Supply	Integral
Construction	Body: 20 Ga. Cold Rolled Steel (Powder Black Finish) Neck: Die Cast Aluminum Lens: 3/16" Thick Clear or Opal Polycarbonate
CCT	2700K, 3000K, 3500K, 4000K
CRI	>80
BUG Rating	B2-U0-G0 (3000K, 45°, Clear or Frosted Lens) B3-U0-G0 (3000K, 25°, Clear Lens)
Delivered Lumens	2521 lm (3000K, 25°, Clear Lens) 2073 lm (3000K, 45°, Clear Lens) 1680 lm (3000K, 45°, Frosted Lens)
Efficacy	97 lm/W
Optics	25°, 45°
Finishes	5 Standard, plus 4 Marine Grade. See Below.
Fixture Dimensions	Ø5.58" x 13.8 l x 8.06 h (see drawing on page 2)
Fixture Weight	9.2 lbs
LED Source	Xicato XIM LED Module
Lumen Maintenance	L70>50,000hrs (Ta 25°C)
Color Consistency	1x2 MacAdam Ellipse (1x2 SDCM)
IP Rating	IP65

ORDERING INFORMATION

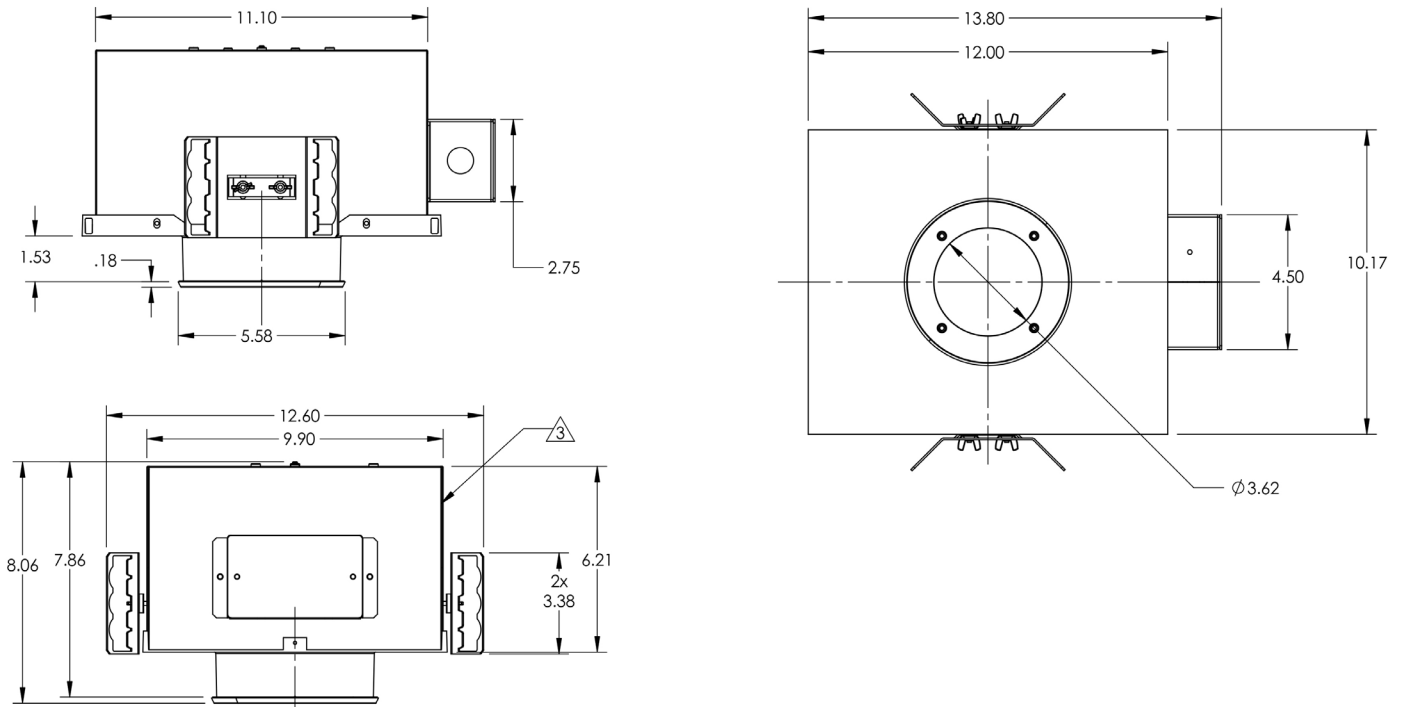
Example: RSI-L26-40-25-4-11-C-C-0.

RSI-L26	-	-	-	-	-	-	-	-
Model #	CCT	Optics	Body	Finish	Lens	Driver	Options	
RSI-L26	27 - 2700K 30 - 3000K 35 - 3500K 40 - 4000K	25 - 25° 45 - 45°	4 - Fully Recessed IC Rated C - Fully Recessed Chicago Plenum V - Concrete Pour	11 - White Suede 02 - Black Suede 18 - Textured Bronze TS - Silver <i>Add prefix "M" to above colors for Marine Grade Clear Overcoat</i> PN - Polished Nickel <i>Marine Grade Clear Overcoat NOT available on Polished Nickel</i>	C - Clear X - Opal R - Assym Spread Z - Frosted	C - Integral 120-277VAC 0-10V Dimming 2 - 347VAC w/ 0-10V Dimming	0 - None 4 - One Circuit Fusing 8 - Special Screws (Please specify) Q - Honeycomb Louver	

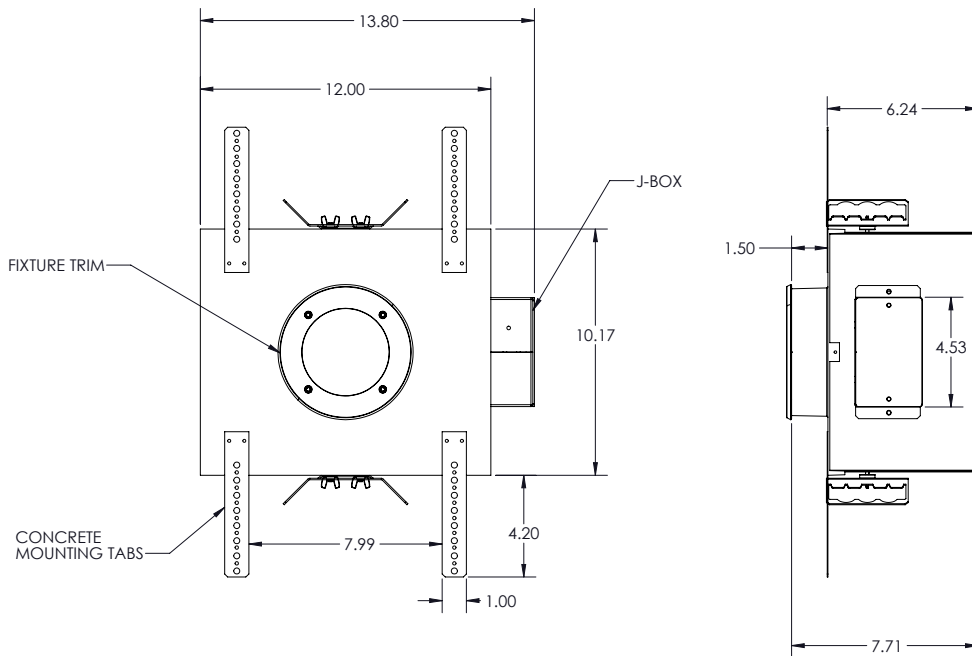
Job Name/Date:

Fixture Type Designation:

FIXTURE DIMENSIONS - See page 3 for Concrete drawing



CONCRETE POUR DRAWING



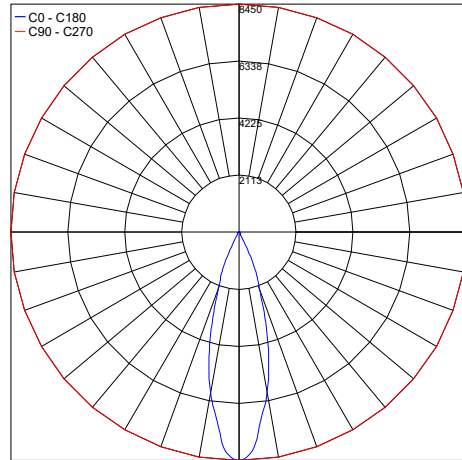
Job Name/Date:

Fixture Type Designation:

PHOTOMETRIC DATA

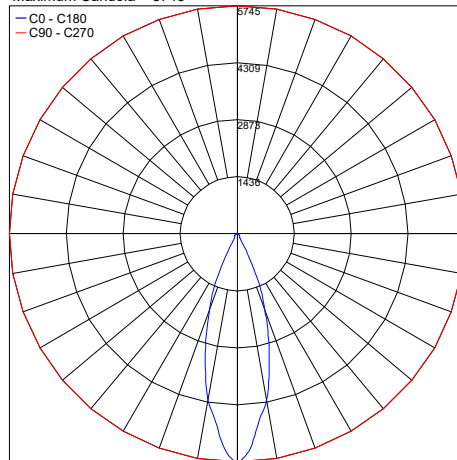
Note all Photometry is 3000K

Maximum Candela = 8450



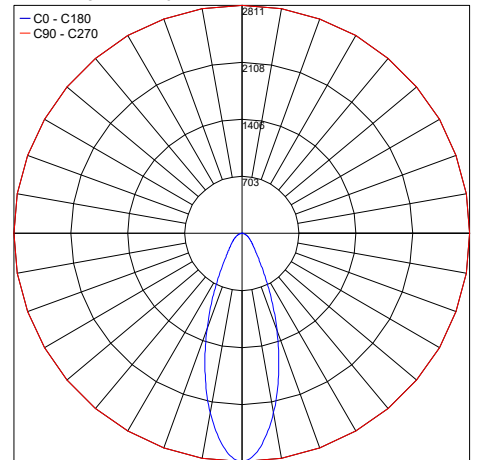
PHOTOMETRIC FILENAME : RSI 3000K 25° IC-RATED (LLIA001367-004).IES

Maximum Candela = 5745



PHOTOMETRIC FILENAME : RSI-L26-30-45-4-11-C-C-0_LLIA001916-001.IES

Maximum Candela = 2811



PHOTOMETRIC FILENAME : RSI 3000K 45° IC-RATED FROSTED LENS (LLIA002014-001).IES

Job Name/Date:

Fixture Type Designation: