

RSR DOWNLIGHT

The RSR Downlight is a vandal resistant, IP65 wet label downlight suitable for steam rooms that is IC and Chicago Plenum rated. It is available in white light and with 2 optics options.



MADE IN THE U.S.A.

Fixture Dimensions
(see drawing on page 2)

TECHNICAL DATA

Wattage / Input	26W (1050mA)
Power Supply	Remote, not included. See page 2.
Construction	Body: 20 Ga. Cold Rolled Steel (Powder Black Finish) Neck: Die Cast Aluminum Lens: 3/16" Thick Clear or Opal Polycarbonate
CCT	2700K, 3000K, 3500K, 4000K
BUG Rating	B3-U1-G0 (3500K, 22°)
CRI	>80 (>90 on request, consult factory)
Delivered Lumens	2342 lm (3000K)
Efficacy	90 lm/W
Optics	25°, 45°
Finishes	5 Standard, plus 4 Marine Grade. See Below.
Fixture Dimensions	Ø5.58" x 13.8 l x 8.06 h (see drawing on page 2)
Fixture Weight	9.2 lbs
LED Source	Xicato XIM LED Module
Lumen Maintenance	L70>50,000hrs (Ta 25°C)
Color Consistency	1x2 MacAdam Ellipse (1x2 SDCM)
IP Rating	IP65
Temperature Rating	Tested to 60°C room ambient

ORDERING INFORMATION

Example: RSR-L26-40-25-4-MTS-C-RMT-0. Power Supplies ordered separately.

RSR-L26	-		-		-		-	RMT	-	
Model #	CCT	Optics	Body	Finish	Lens	Dimming	Options			
RSR-L26	27 - 2700K 30 - 3000K 35 - 3500K 40 - 4000K	25 - 25° 45 - 45°	4 - Fully Recessed IC Rated C - Fully Recessed Chicago Plenum	11 - White Suede 02 - Black Suede 18 - Tex. Bronze TS - Silver Add prefix "M" to above colors for Marine Grade Clear Overcoat PN - Polished Nickel Marine Grade Clear Overcoat NOT available on Polished Nickel	C - Clear X - Opal R - Assym Spread	RMT - Remote Required (See page 2 for power supply options)	0 - None 4 - One Circuit Fusing 8 - Special Screws (Please specify) Q - Honeycomb Louver			

Job Name/Date:

Fixture Type Designation:

SUGGESTED POWER SUPPLIES

1050mA

Part Number	Description	Input/Output	# of Fixtures
PPLT00480-P	0-10V Dimming to 1.0%	120-277VAC to 1050mA, 30W, Class 2	1-1
PPLT00602	Phase Dim (120V only)	120-277VAC to 1050mA, 34W, Class 2	1-1
PPLT00216	0-10V Dimming to 10%	120-277VAC to 1050mA, 40W, Class 2	1-1
PPLT00309-P	0-10V Dimming to 0.1%	120-277VAC to 1050mA, 50W, Class 2	1-1
PPLT00467-P	0-10V Dimming to 1.0%	120-277VAC to 1050mA, 50W, Class 2	1-1
PPLT00587-P	0-10V Dimming to 1.0%	347VAC to 1050mA, 55W, Class 2 (<i>CANADA only</i>)	1-1

Lutron Compatible

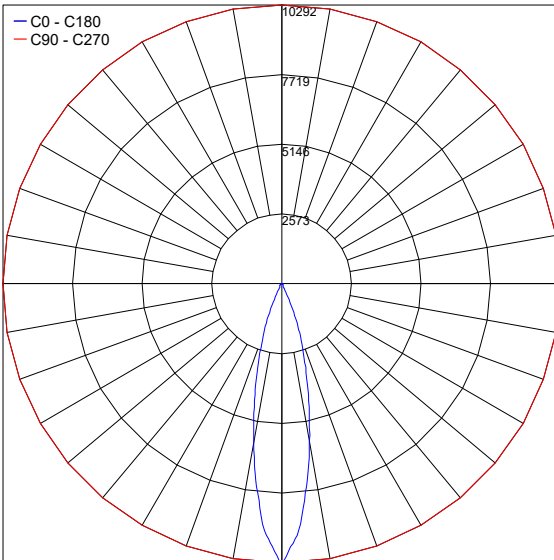
Part Number	Option	Lutron SKU	Dim Range	Description	Input/Output	# of Fixtures
PPLT00622	LTEA2W	LTEA	100%-1%	Hi-Lume™ 1% 2-Wire LED Driver (120V forward phase only)	120VAC to 1050mA, 40W, Class 2	1-1
PPLT00621	L3DAE / L3DA3W	L3DA	100%-1%	Hi-Lume™ 1% EcoSystem™ or 1% 3-Wire LED Driver	120-277VAC to 1050mA, 40W, Class 2	1-1

For other power supply options consult factory.

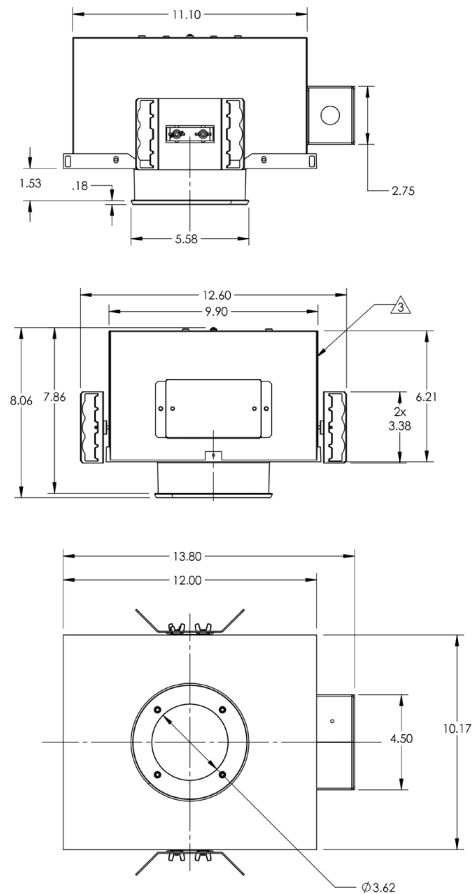
PHOTOMETRIC DATA

Note all Photometry is 3000K

Maximum Candela = 10292



FIXTURE DIMENSIONS



Job Name/Date:

Fixture Type Designation: