

RSR DOWNLIGHT

The RSR Downlight is a vandal resistant, IP65 wet label downlight suitable for steam rooms that is IC and Chicago Plenum rated. It is available in white or red light for darkrooms and with 2 optics options.



MADE IN THE U.S.A.

Fixture Dimensions
(see drawing on page 2)

TECHNICAL DATA

| | |
|---------------------------|--|
| Wattage | 26W (1050mA), 20W (1000mA) |
| Power Supply | Remote, not included. See page 2. |
| Construction | Body: 20 Ga. Cold Rolled Steel (Powder Black Finish) Neck: Die Cast Aluminum Lens: 3/16" Thick Clear or Opal Polycarbonate |
| CCT | 2700K, 3000K, 3500K, 4000K, Red |
| BUG Rating | B3-U1-G0 (3500K, 22°) |
| CRI | >80 (>90 on request, consult factory) |
| Delivered Lumens | 2342 lm (3000K) |
| Efficacy | 90 lm/W |
| Optics | 25°, 45° |
| Finishes | 5 Standard, plus 4 Marine Grade. See Below. |
| Fixture Dimensions | Ø5.58" x 13.8 l x 8.06 h (see drawing on page 2) |
| Fixture Weight | 9.2 lbs |
| LED Source | LED COB, RED 620-630 nm |
| Lumen Maintenance | L70>50,000hrs (Ta 25°C) |
| Color Consistency | 1x2 MacAdam Ellipse (1x2 SDCM) |
| IP Rating | IP65 |
| Temperature Rating | Tested to 60°C room ambient |

ORDERING INFORMATION

Example: RSR-L26-40-25-4-MTS-C-RMT-0. Power Supplies ordered separately.

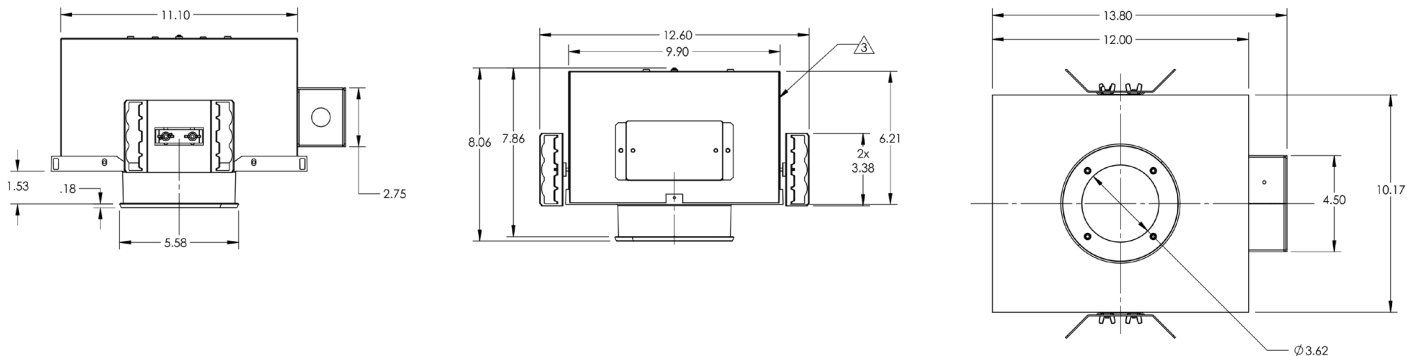
RSR-L26 - [] - [] - [] - [] - [] - RMT - []

| Model # | CCT | Optics | Body | Finish | Lens | Dimming | Options |
|---------|--|----------------------|--|---|---|--|---|
| RSR-L26 | 27 - 2700K 30 - 3000K 35 - 3500K 40 - 4000K RD - Red | 25 - 25° 45 - 45° | 4 - Fully Recessed IC Rated C - Fully Recessed Chicago Plenum | 11 - White Suede 02 - Black Suede 18 - Tex. Bronze TS - Silver <i>Add prefix "M" to above colors for Marine Grade Clear Overcoat</i> PN - Polished Nickel <i>Marine Grade Clear Overcoat NOT available on Polished Nickel</i> | C - Clear X - Opal R - Assym Spread | RMT - Remote Required (See page 2 for power supply options) | 0 - None 4 - One Circuit Fusing 8 - Special Screws (Please specify) H - Honeycomb Louver |

Job Name/Date:

Fixture Type Designation:

FIXTURE DIMENSIONS



SUGGESTED POWER SUPPLIES

1050mA

| Part Number | Description | Input/Output | # of Fixtures |
|-----------------------------|-----------------------|--|---------------|
| PPLT00602 | Phase Dim (120V only) | 120-277VAC to 1050mA, 34W, Class 2 | 1-1 |
| PPLT00216 | 0-10V Dimming to 10% | 120-277VAC to 1050mA, 40W, Class 2 | 1-1 |
| PPLT00309-P | 0-10V Dimming to 0.1% | 120-277VAC to 1050mA, 50W, Class 2 | 1-1 |
| PPLT00467-P | 0-10V Dimming to 1.0% | 120-277VAC to 1050mA, 50W, Class 2 | 1-1 |
| PPLT00587-P | 0-10V Dimming to 1.0% | 347VAC to 1050mA, 55W, Class 2 (<i>CANADA only</i>) | 1-1 |

Suggested Lutron Compatible

| Part Number | Option | Lutron SKU | Dim Range | Description | Input/Output | # of Fixtures |
|---------------------------|----------------|------------|-----------|--|------------------------------------|---------------|
| PPLT00621 | L3DAE / L3DA3W | L3DA | 100%-1% | Hi-Lume™ 1% EcoSystem™ or 1% 3-Wire LED Driver | 120-277VAC to 1050mA, 40W, Class 2 | 1-1 |

SUGGESTED POWER SUPPLIES

1000mA - for RED LED version

| Part Number | Description | Input/Output | # of Fixtures |
|-----------------------------|-----------------------|--|---------------|
| PPLT00465-P | 0-10V Dimming to 1.0% | 120-277VAC to 1000mA, 20W, Class 2, DAMP | 1-1 |
| PPLT00309-P | 0-10V Dimming to 0.1% | 120-277VAC to 1000mA, 50W, Class 2, DAMP | 1-2 |
| PPLT00467-P | 0-10V Dimming to 1.0% | 120-277VAC to 1000mA, 50W, Class 2, DAMP | 1-2 |

For other power supply options consult factory.

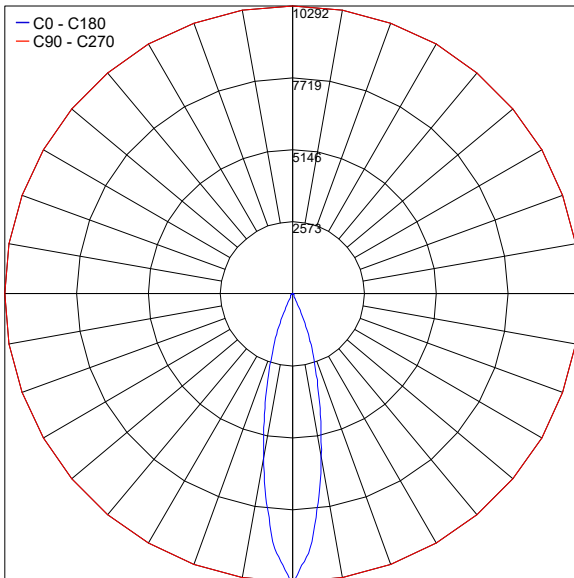
Job Name/Date:

Fixture Type Designation:

PHOTOMETRIC DATA

Note all Photometry is 3000K

Maximum Candela = 10292



IES INDOOR REPORT
PHOTOMETRIC FILENAME : RSR 3000K LIA001118-004.IES

Job Name/Date:

Fixture Type Designation: