



**INSTRUCTIONS PERTAINING TO RISK OF FIRE OR INJURY TO PERSONS. READ ALL INSTRUCTIONS. IMPORTANT SAFETY INSTRUCTIONS. SAVE THESE INSTRUCTIONS.**

**DANGER - RISK OF SHOCK - DISCONNECT POWER BEFORE INSTALLATION! Please read all instructions before installation.**

- Keep these instructions for future reference.
- Must be installed by a qualified electrician in accordance with national and local standards. Designplan is not responsible for fixtures installed without regard to these standards.
- Unauthorized alterations or tampering of product voids warranty.
- The main power connection must be in accordance with local electrical codes.
- Suitable for INDOOR and OUTDOOR applications.
- DO NOT INSTALL INSULATION WITHIN 3.0" (76 mm) OF ANY PART OF THE LUMINAIRE.



## Electrical Connections:

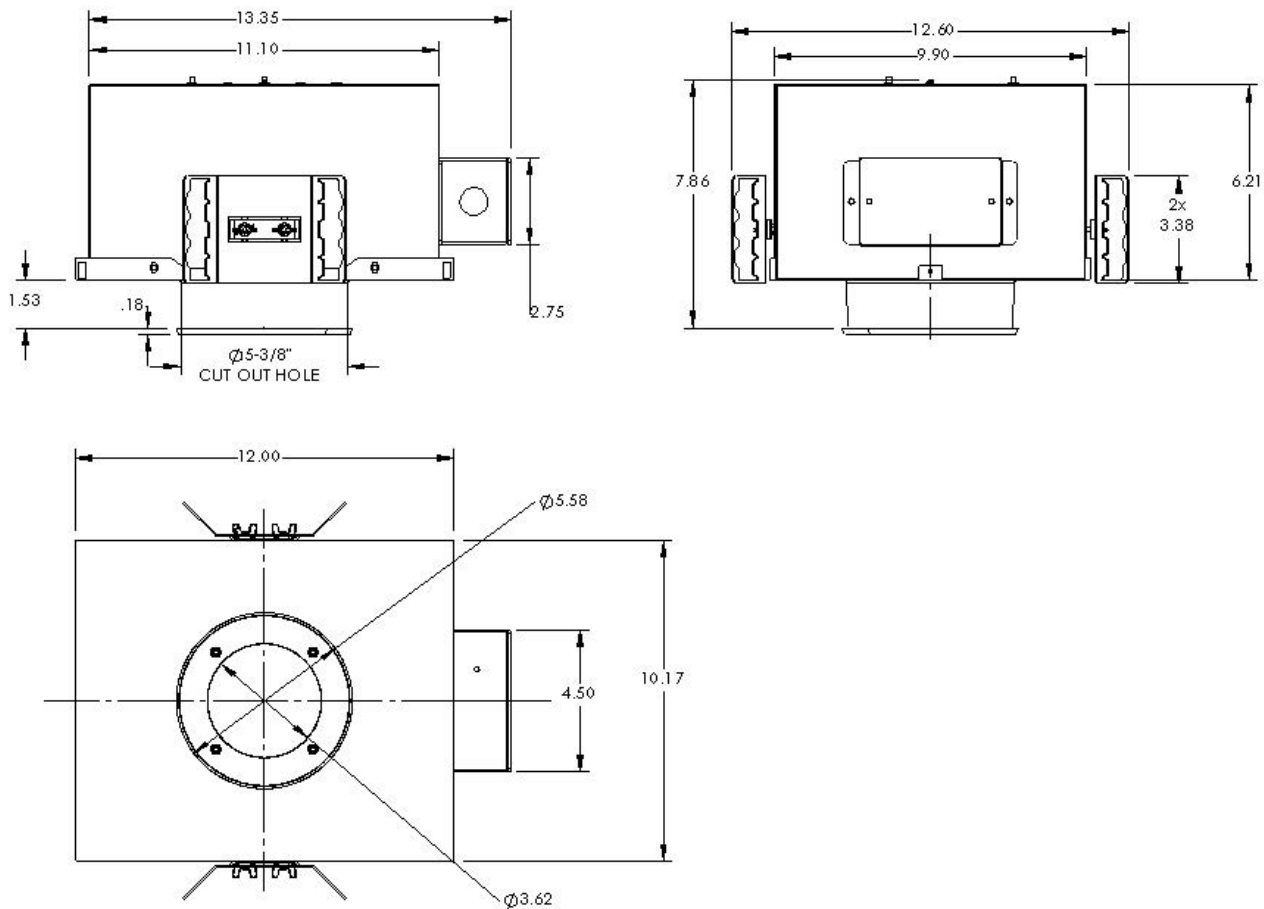
- Fixture requires remote driver.
- **CHOOSE POWER SUPPLY ACCORDINGLY.**
- Please select 24VDC driver and consider the max power consumption if connecting multiple fixtures.
- **Connect power only if all fixtures are connected.**
- The power supplies MUST be installed in aerated rooms, far from heat sources. Overworking or lack of air circulation will not permit natural dissipation.
- The electronic power supply is current-stable, therefore it partially compensates the voltage-drop problems related to the cable length; we suggest not to exceed 100 ft.
- Use only Class 2 type electronic power supply.
- Never use switches on secondary circuit.
- Fixture also requires DMX connection.

## Maintenance

Scheduled maintenance must be carried out once a year on all lighting devices, regardless of appliance class and type of use. It must include the following operations:

- Periodically clean fixtures to remove dirt from gratings and screw heads.
- Check tightness of screws on various parts of the device.
- Check that all cable glands and cables are intact and tight. Check that the glass or plastic lens is intact, and replace it if broken or damaged.
- The internal components such as the ballast, driver, washers and screws must not show clear signs of oxidation or rust. Clear traces of rust and oxidation will indicate the presence of water inside the device.
- In the case of damage, the components must be replaced by original components or spare parts.

## Fixture Installation

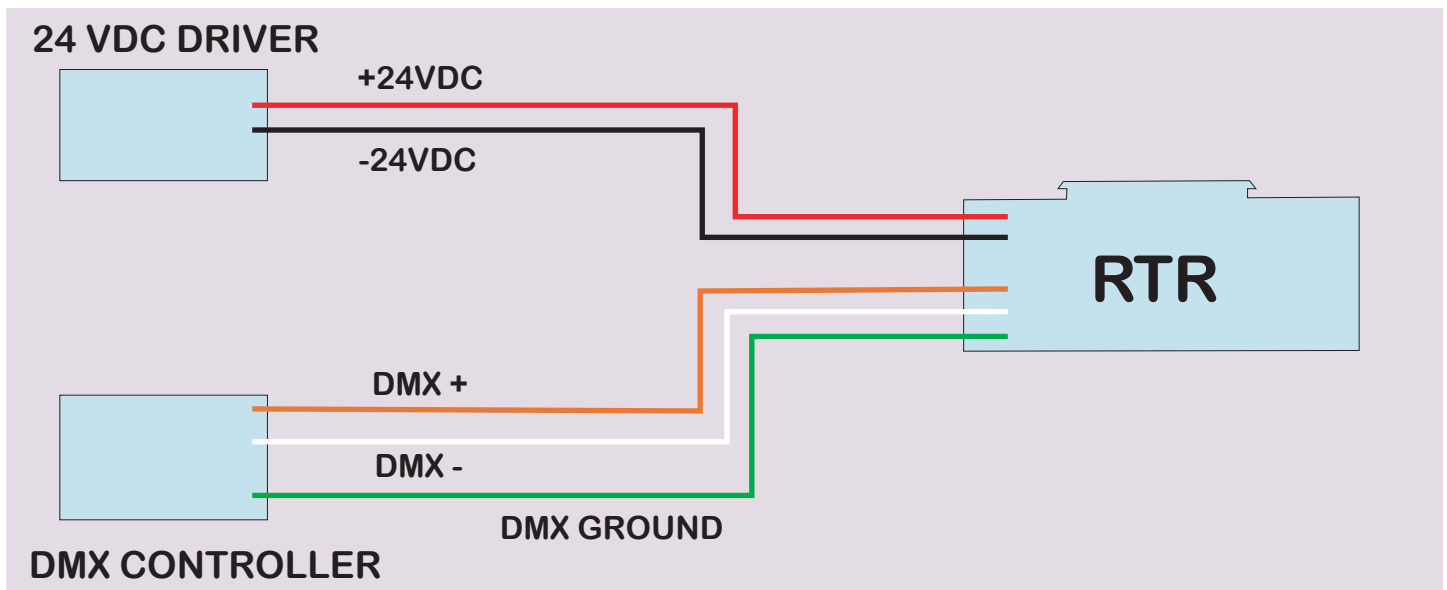


- The lighting fixture comes fully assembled.
- Remove the lens assembly. Mount fixture by utilizing the hanger bars on the sides of the body. It is the contractor's responsibility to supply proper mounting based on job condition. The fixture is suitable for a maximum 1 1/2" ceiling thickness. A 5 3/8" diameter cut out hole is required for the fixture to properly fit through the ceiling.
- Utilize the conduit entries on the sides of the J-box for wiring. CONNECT GREEN WIRE TO "GROUND", CONNECT BLACK FIXTURE TO BLACK BUILDING WIRE AND CONNECT WHITE FIXTURE WIRE TO WHITE BUILDING WIRE. The remote driver should be in a suitable electrical enclosure.
- Re-install the lens assembly. Assure proper seal between top of lens assembly and ceiling structure.

### For Installation in Steam Rooms:

- This is only available for the RSR LED version. It is very important that the contractor seal the trim assembly to the sealed ceiling structure. This step must be completed every time the fixture is opened for any reason.

## Wiring Diagram



DMX/RDM - IN	POWER:
ORANGE - POS +	RED - POS (+24VDC)
WHITE - NEG -	BLACK - NEG (-24VDC)
GREEN - GOUND	

## POWER & DMX WIRING DIAGRAM

1. This RGBW product is provided with integral DMX decoder. DMX decoders are factory set to **Channel #001 (1-4)**.
2. Some RGB/RGBW product features DMX decoders that require factory addressing (consult data sheet or factory for type of decoder provided)(if applicable)
3. Some RGB/RGBW products feature DMX decoders with RDM function and are field addressable (consult data sheet or factory)(if applicable)
4. Decoder is factory connected to RGBW LED module provided with fixture.
5. Decoder requires power from remote 24VDC driver purchased separately.
6. Never connect the decoder directly to 120VAC. Connecting directly to 120VAC line voltage will damage the decoder instantly.
7. To control the LED module DMX leads on the decoder need to be connected to DMX controller (provided by others).
8. It is up to the installer to select proper DMX controller, select proper connecting cables, determine connecting cord size and length, and make proper connections.
9. Installer must determine if the long connecting cord will affect DMX signal.
10. It is recommended that DMX control experts are consulted for installations involving multiple fixtures and long connecting DMX cables.
11. It is recommended that all DMX connections are tested for proper polarity and DMX signal strength before final installation.
12. It is recommended that fixtures are tested for functionality before final installation.
13. When Initially powered with 24VDC LED module in the fixture will illuminate and cycle through all colors.
14. Multiple Modules will initially cycle in sync but may go out of sync after some time (this is normal)
15. When DMX controller is initially powered LED Module or all Modules will go dark and will respond to the adjustments on the controller ( make sure controller is set to control Channel #001 (1-4).