

# RTR DOWNLIGHT

The RTR Downlight is a vandal resistant, IP65 wet label downlight, suitable for steam rooms, that is IC and Chicago Plenum rated with tunable white light as well as RGBW and 2 optic options.



**MADE IN THE U.S.A.**

Fixture Dimensions  
(see drawing on page 2)

## TECHNICAL DATA

<b>Wattage / Input</b>	25W (24VDC)
<b>DMX Connection</b>	Contained within the LED chip
<b>Power Supply</b>	Remote, not included. See page 3.
<b>Color Changing / Tunable</b>	Controlled by DMX Controller (by others) or Araya app
<b>Construction</b>	Body: 20 Ga. Cold Rolled Steel (Powder Black Finish) Neck: Die Cast Aluminum Lens: Clear or Opal 3/16" Polycarbonate
<b>CCT</b>	1650K - 8000K and RGBW
<b>BUG Rating</b>	B1-U1-G0 (22°)
<b>CRI</b>	>90
<b>Delivered Lumens</b>	877 lm (3000K)
<b>Efficacy</b>	33.7 lm/W
<b>Optics</b>	25°, 45°
<b>Finishes</b>	5 Standard, plus 4 Marine Grade. See Below.
<b>Fixture Dimensions</b>	Ø5.58" x 13.8 l x 8.06 h (see drawing on page 2)
<b>Fixture Weight</b>	9.2 lbs
<b>LED Source</b>	Araya LED Module
<b>Lumen Maintenance</b>	L70>50,000hrs (Ta 25°C)
<b>Color Consistency</b>	2 Step MacAdam

## ORDERING INFORMATION

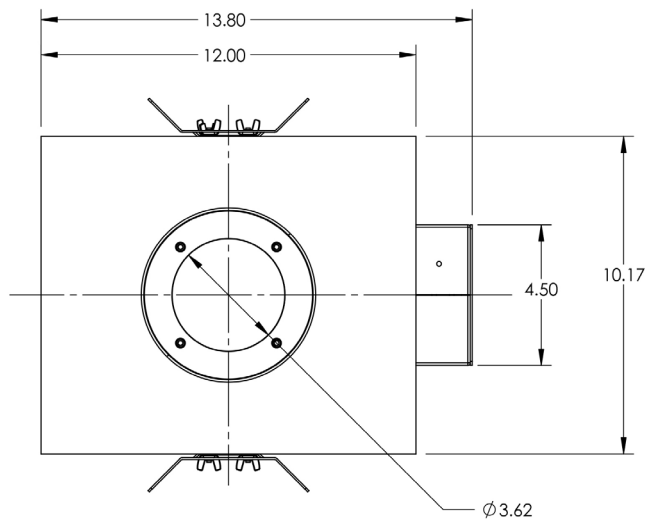
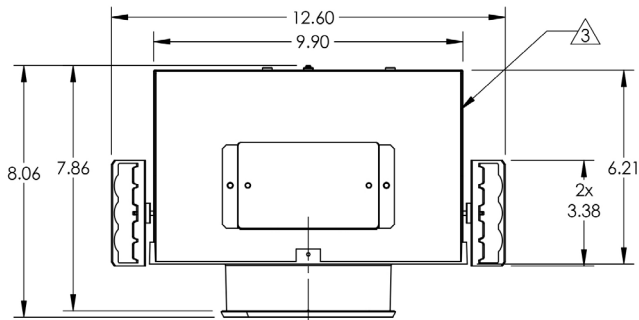
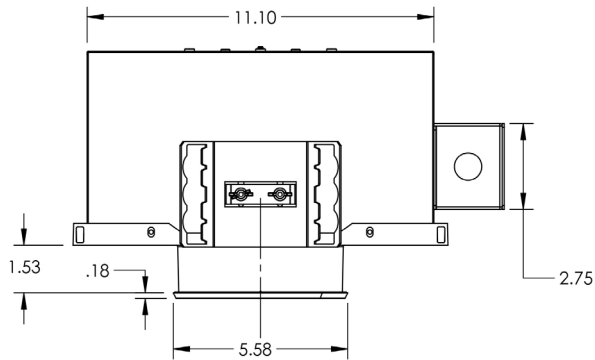
Example: RTR-L25-RW-25-4-M02-C-RMT-4.

RTR-L25	-	RW	-		-		-	RMT	-	
Model #	CCT	Optics	Body	Finish	Lens	Dimming	Options			
RTR-L25	RW - RGBW + Tunable White (1650K-8000K)	25 - 25° 45 - 45°	4 - Fully Recessed IC Rated C - Fully Recessed Chicago Plenum	11 - White Suede 02 - Black Suede 18 - Tex. Bronze TS - Silver <i>Add prefix "M" to above colors for Marine Grade Clear Overcoat</i> PN - Polished Nickel <i>Marine Grade Clear Overcoat NOT available on Polished Nickel</i>	C - Clear X - Opal	RMT - Remote Required  (See page 3 for power supply options)	0 - None 4 - One Circuit Fusing 8 - Special Screws (Please specify) Q - Honeycomb Louver			

Job Name/Date:

Fixture Type Designation:

## FIXTURE DIMENSIONS



Job Name/Date:

Fixture Type Designation:

## SUGGESTED POWER SUPPLIES

24VDC

Part Number	Description	Input/Output	# of Fixtures
<a href="#">PPLT00586</a>	Non-Dim	120-277VAC to 24VDC, 40W, Class 2	1-1
<a href="#">PPLT00158</a>	Non-Dim	120VAC to 24VDC, 100W, Class 2	1-3

## Suggested Lutron Compatible

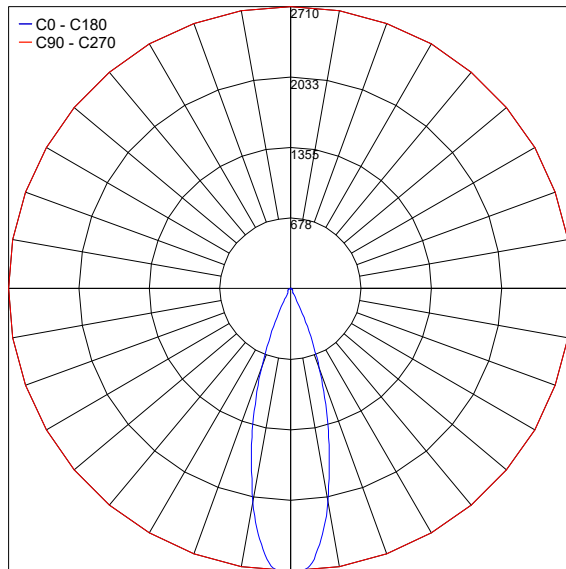
Part Number	Option	Lutron SKU	Dim Range	Description	Input/Output	# of Fixtures
<a href="#">PPLT00530</a>	L3D0	L3D0	100%-0.1%	Hi-Lume™ Premier 0.1% or Ecosystem 3-Wire LED Driver	120-277VAC to 24VDC , 96W, Class 2	1-3

For other power supply options consult factory.

## PHOTOMETRIC DATA

Note all Photometry is 3000K

Maximum Candela = 2710



Job Name/Date:

Fixture Type Designation: