

RT DOWNLIGHT

The RT Downlight is a vandal resistant, IP65 wet label downlight that is IC and Chicago Plenum rated with RGBW light and 2 optic options.



MADE IN THE U.S.A.

Fixture Dimensions
(see drawing on page 2)

TECHNICAL DATA

Wattage	25W
Power Supply	Integral 120-277VAC
Construction	Body: 20 Ga. Cold Rolled Steel (Powder Black Finish) Neck: Die Cast Aluminum Lens: Clear or Opal 3/16" Polycarbonate
CCT	RGBW
CRI	—
Delivered Lumens	877 lm (3000K)
Efficacy	33.7 lm/W
Optics	25°, 45°
Finishes	5 Standard, plus 4 Marine Grade. See Below.
Fixture Dimensions	Ø5.58" x 13.8 l x 8.06 h (see drawing on page 2)
Fixture Weight	9.2 lbs
LED Source	RGBW COB LED
Lumen Maintenance	L70>50,000hrs (Ta 25°C)
Color Consistency	2 Step MacAdam
IP Rating	IP65

ORDERING INFORMATION

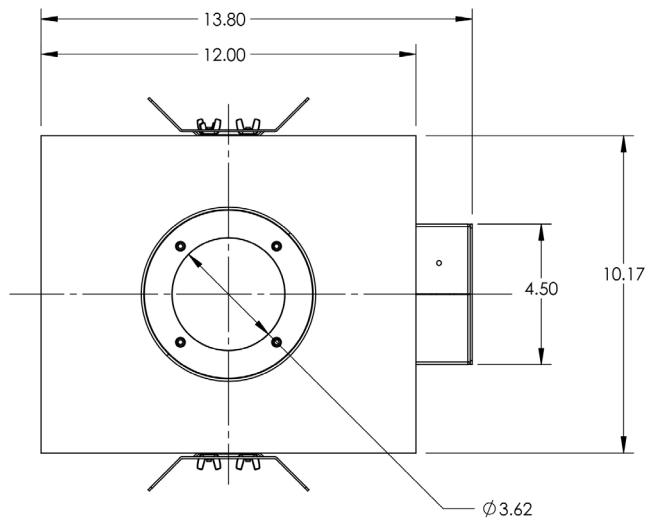
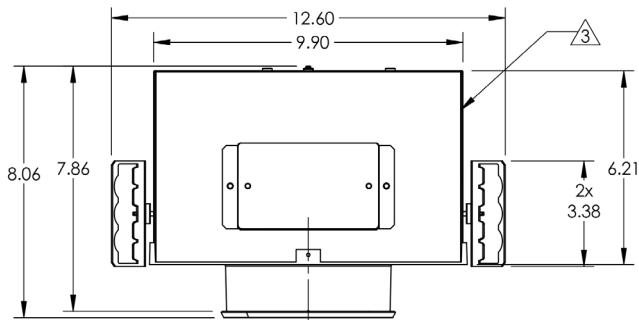
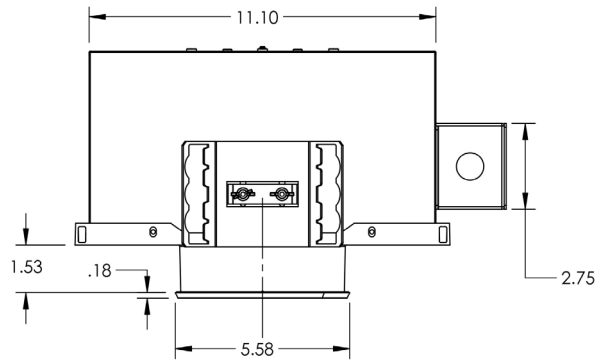
Example: RT-L25-RW-25-4-M04-C-DMX-4.

RT-L25	-	RW	-		-		-		-	DMX	-	
Model #	CCT	Optics	Body	Finish	Lens	Dimming	Options					
RT-L25	RW - RGBW	25 - 25° 45 - 45°	4 - Fully Recessed IC Rated C - Fully Recessed Chicago Plenum V - Concrete Pour	11 - White Suede 02 - Black Suede 18 - Tex. Bronze TS - Silver <i>Add prefix "M" to above colors for Marine Grade Clear Overcoat</i> PN - Polished Nickel <i>Marine Grade Clear Overcoat NOT available on Polished Nickel</i>	C - Clear X - Opal	DMX - 120-277VAC (DMX512-A-RDM) All luminaires come with DMX, 0-10V and Bluetooth (Commissioning Capabilities) *010 - Requires (qty. 2) 0-10V Wall Switches	0 - None 4 - One Circuit Fusing 8 - Special Screws (Please specify) H - Honeycomb Louver					

Job Name/Date:

Fixture Type Designation:

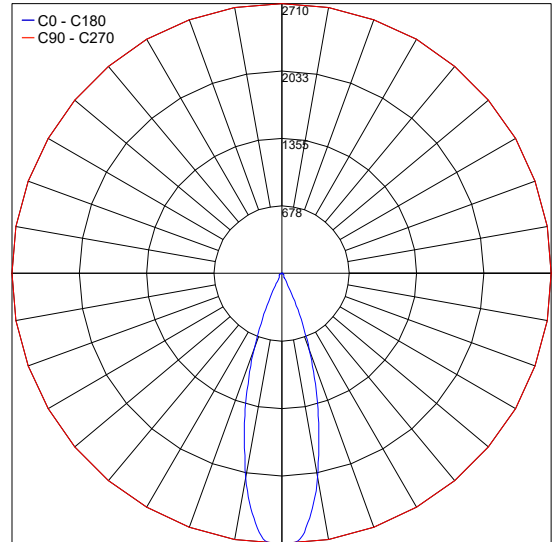
FIXTURE DIMENSIONS



PHOTOMETRIC DATA

Note all Photometry is 3000K

Maximum Candela = 2710



Job Name/Date:

Fixture Type Designation: