

RXH DOWNLIGHT

The RXH Downlight is an IP65 wet label halogen downlight suitable for steam rooms and saunas that is IC and Chicago Plenum rated. Lamp by others.



MADE IN THE U.S.A.

Fixture Dimensions
(see drawing on page 2)

TECHNICAL DATA

Wattage / Input	35/39W or 50W (120VAC)
Power Supply	None (Halogen) 120VAC E26 Medium Base Socket
Construction	Body: 20 Ga. Cold Rolled Steel (Powder Black Finish) Neck: Die Cast Aluminum Lens: 3/16" Thick Clear Tempered Glass
CRI	CRI=100
Optics	As per lamping (see below)
Finishes	5 Standard, plus 4 Marine Grade. See Below.
Fixture Dimensions	Ø5.6" x 12.6" l x 8.6" h (see drawing on page 2)
Fixture Weight	9.2 lbs
IP Rating	IP65
Temperature Rating	Tested to 90°C room ambient

ORDERING INFORMATION

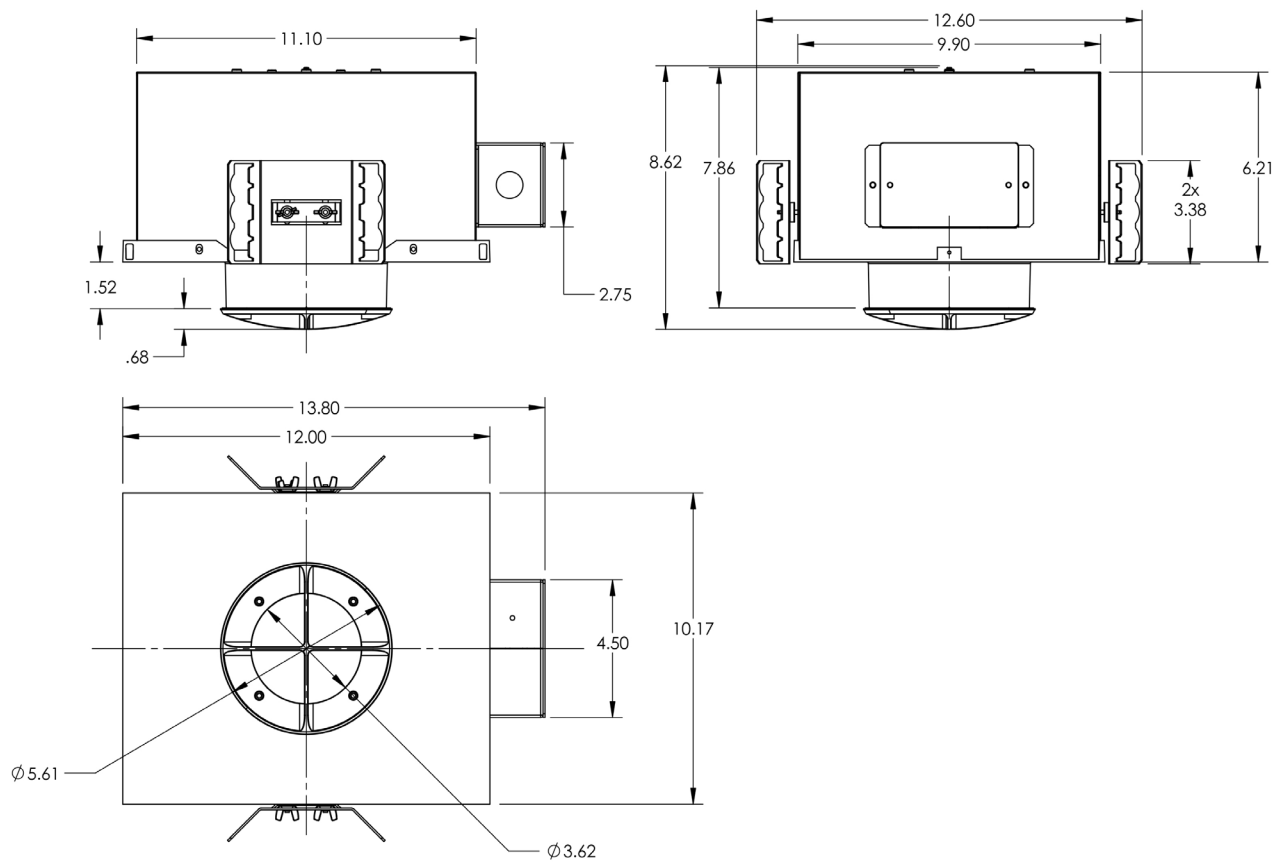
Example: RXH-6-1M-4-11-F-T-0.

RXH-6	-		-		-	F	-	T	-	
Model #	Wattage	Body	Finish	Driver	Lens	Options				
RXH-6	1M - 35/39W PAR20 Halogen ¹ GW - 50W PAR30 Halogen ¹ ¹ Lamp by others.	4 - Fully Recessed IC Rated C - Fully Recessed Chicago Plenum	11 - White Suede 02 - Black Suede 18 - Tex. Bronze TS - Silver <i>Add prefix "M" to above colors for Marine Grade Clear Overcoat</i> PN - Polished Nickel <i>Marine Grade Clear Overcoat NOT available on Polished Nickel</i>	F - None (Halogen)	T - Clear Tempered Glass	0 - None 8 - Special Screws (Please specify) Q - Honeycomb Louver				

Job Name/Date:

Fixture Type Designation:

FIXTURE DIMENSIONS



Job Name/Date:

Fixture Type Designation: